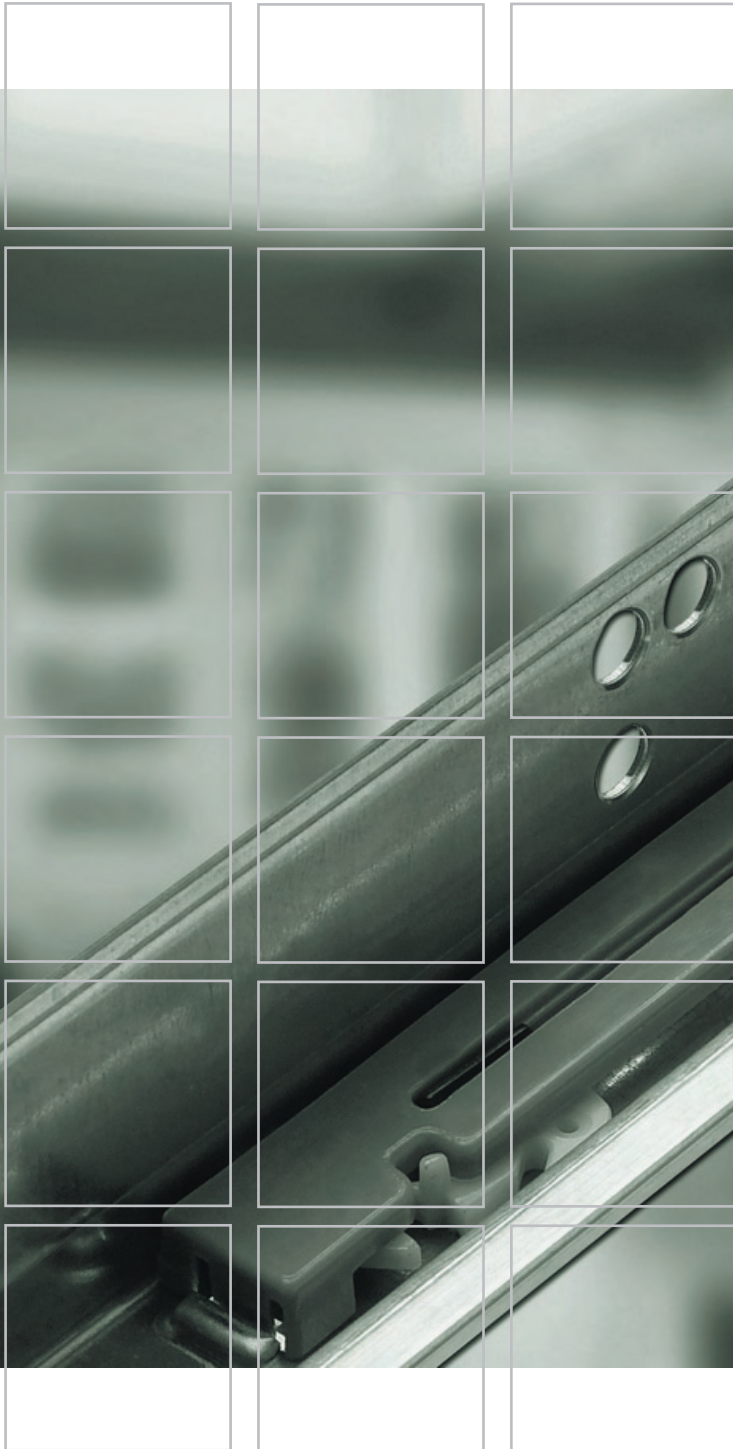


Slides and Drawers



***The right
collection***



**FORMENTI &
GIOVENZANA**

1 Drawer Runners

Technical Details

► Concealed Runners

Excel N500	Plug-In, bottom mounting
Excel N550	Easy-Fix system, bottom mounting
Excel N600	Plug-In, bottom mounting full extension
Excel N650	Easy-Fix system, bottom mounting full extension
Excel N400	Plug-in system, bottom mounting
Excel 450	Easy-Fix system, bottom mounting

► Roller Runners

082	Bottom mounting self-closing slide
182	Self-closing pan drawer slide with front bracket
R82	Machine driven, clamp fix bottom mounting self-closing slide
062	Bottom mounting full extension self-closing slide
085	Side mounting slide, non self-closing

► Ball Bearing Runners

120	Ball bearing runners for 17 mm groove
135	35 mm ball bearing runners
135K	Ball bearing slides for pull-out shelf
145	45 mm ball bearing runners
PDF	Sliding door system

Fast	Assembly machines for R82
Mago	Pneumatic pliers

2 Metal Drawers

Technical Details

551	Metal drawers H 53
600	Key-Hole attachment, metal drawers H85
651 - 681	Metal drawers H 85
751 - 781	Metal drawers H 117
851 - 881	Metal drawers H150

MAC 3	Drawer assembly machine 681 - 781 - 881
MAC 1	Drawer assembly machine 551 - 600 - 651 - 751 - 851

3 Accessoraies

Runner and Drawer accessories

Carrying capacity Kg.

Static load	Dynamic load	Pag.
		01
40	25	02-03
40	25	04-05
40	30	06-07
40	30	08-09
40	25	10-11
40	25	12-13
40	25	14
40	25	15
40	25	16
40	25	17
40	25	18
15	12	19
50	25	20
50	25	21
60	50	22
40	25	23
		24
		24
		25
40	25	26
40	25	27
40	25	28-29
40	25	30-31
40	25	32-33
		34
		34
		35-37

Excel N500 - N500H

Excel N550 - N550H

Excel N600 - N600H

Excel N650 - N650H

Excel N400 - 450

082 - 182

R82 - 062

085 - 120-125

135 - 135K

145 - PDF

Fast - Mago

Drawer Slides

FGV

FORMENTI &
GIOVENZANA

The full range of fine quality, high technology drawer slides displayed in this catalogue provide every option demanded by a diverse market.

Designed to provide side-to-side stability and smooth continuous action, even extension loss has been reduced considerably to allow maximum access to the drawer.

All runners are continually tested and put through intensive tests of up to 80,000 openings and closings, with a particularly high load capacity bearing, both dynamic and static.

SLOWMOTION

The SLOWMOTION and ONE-TOUCH devices are available for Excel N500 N500H, Excel N550-N550H, Excel N600 N600H, Excel N650-N650H slides.

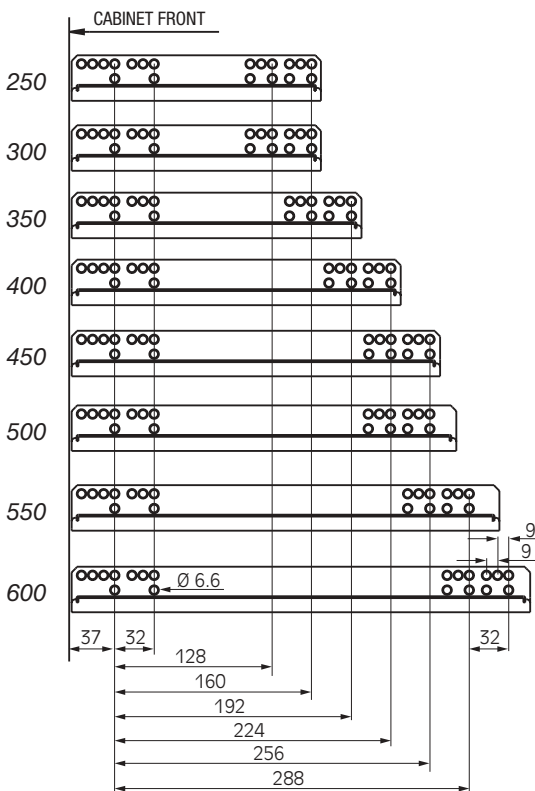
Excel N500-N500H

Concealed runner, Plug-In system bottom mounting

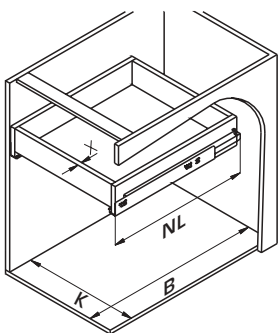
Technical details

- Soft closing "SLOWMOTION" - on request
- Opening system "ONE-TOUCH" - on request
- Silent system
- Self-closing system
- Greater side-to-side stability
- Front vertical adjustment + 4 mm
- Fastened to drawer with:
 - chipboard screws
 - Euro screws
 - pre-mounted 8 - 10 mm dowels

Fixing hole positions



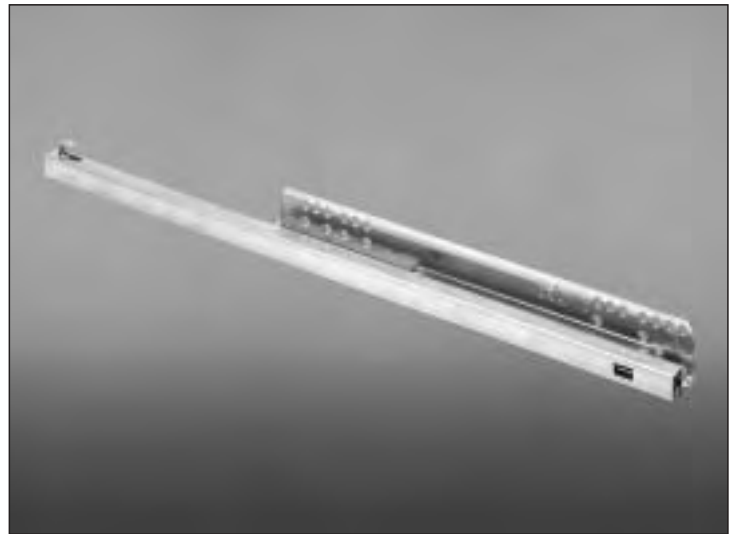
Cabinet dimensions



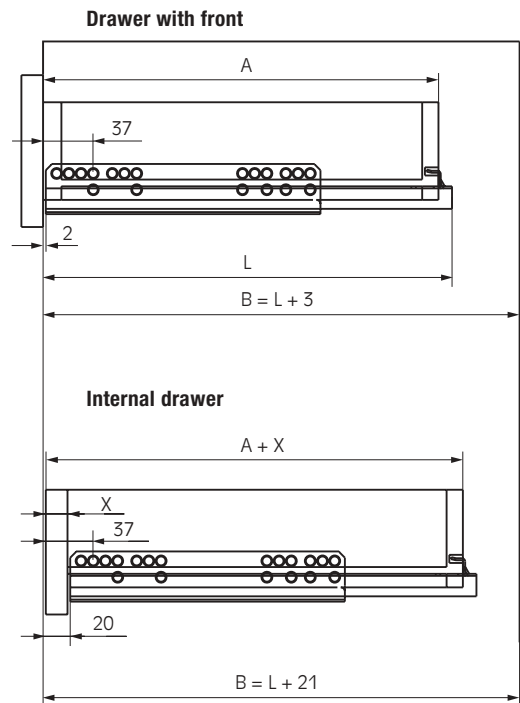
NL = Excel runner's nominal length
 B = Cabinet internal depth
 K = Cabinet internal width

Cabinet = Internal dimensions for:

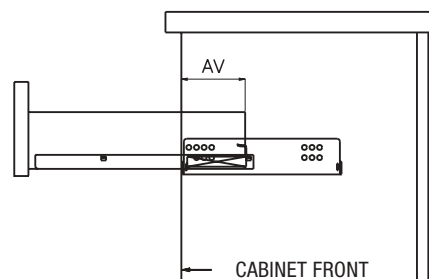
- Drawer with front: $B_{min} = NL + 3$ mm
- Internal drawer: $B_{min} = NL + 21$ mm



Drilling pattern



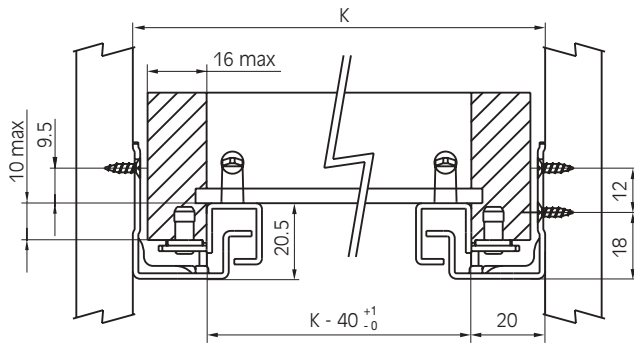
Extension loss



NL	N500	N500H
	AV	
250	68.5	78.5
300	68.5	78.5
350	88.5	98.5
400	108.5	118.5
450	108.5	118.5
500	108.5	118.5
550	128.5	138.5
600	128.5	138.5

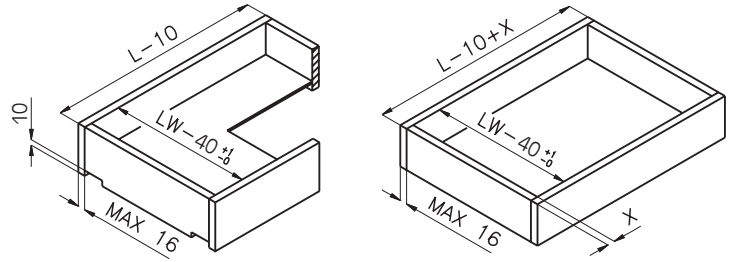
NL = Nominal Length
 AV = Extension loss

Fixing dimensions



L = EXCEL RUNNER NOMINAL LENGTH
 A = DRAWER DEPTH
 B = CABINET MIN INTERNAL DEPTH
 K = CABINET INTERNAL WIDTH

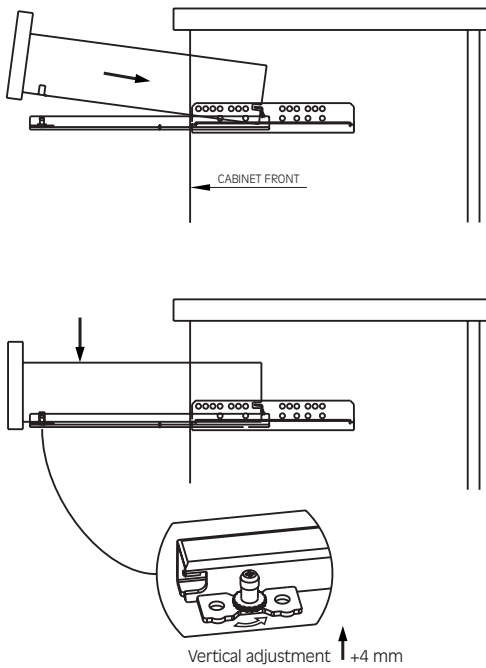
Drawer dimensions



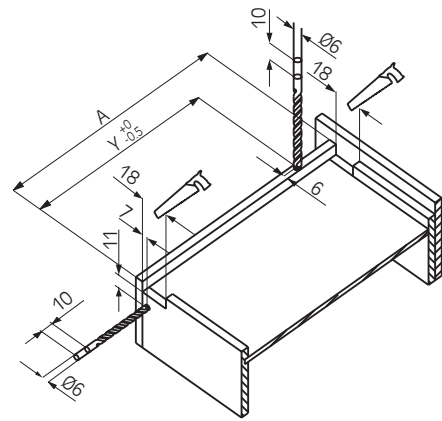
Drawer with front
 Depth: L-10

Internal drawer
 Depth: L-10+X

Drawer mounting



Dimensions and drilling of the drawer



N500			N500H		
L	A	Y	L	A	Y
250	240	221	260	250	231
300	290	271	310	300	281
350	340	321	360	350	331
400	390	371	410	400	381
450	440	421	460	450	431
500	490	471	510	500	481
550	540	521	560	550	531
600	590	571	610	600	581

Slowmotion and One-Touch



Slowmotion device
 available on request



One-Touch device
 available on request

Product codes

N500	N500H
Length	Length
54.N500.07.25_0	54.N500.H7.25_0
54.N500.07.30_0	54.N500.H7.30_0
54.N500.07.35_0	54.N500.H7.35_0
54.N500.07.40_0	54.N500.H7.40_0
54.N500.07.45_0	54.N500.H7.45_0
54.N500.07.50_0	54.N500.H7.50_0
54.N500.07.55_0	54.N500.H7.55_0
54.N500.07.60_0	54.N500.H7.60_0

0 = with Self-Closing
 X = with Slowmotion
 P = with One-Touch

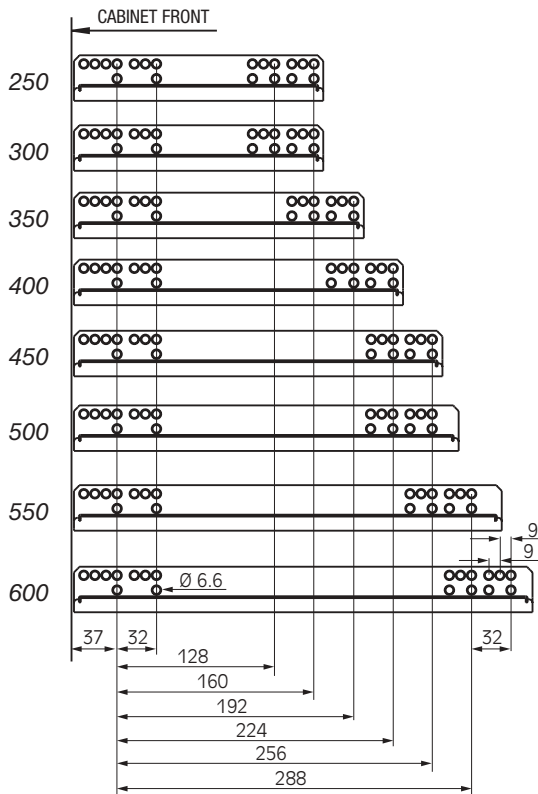
Excel N550-N550H

Concealed runner, Easy-Fix system bottom mounting

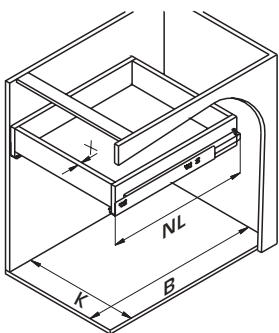
Technical details

- Soft closing "SLOWMOTION" - on request
- Opening system "ONE-TOUCH" - on request
- Silent system
- Self-closing system
- Greater side-to-side stability
- Front vertical adjustment + 3 mm
- Fastened to drawer with:
 - chipboard screws
 - Euro screws
 - pre-mounted 8 - 10 mm dowels

Fixing hole positions



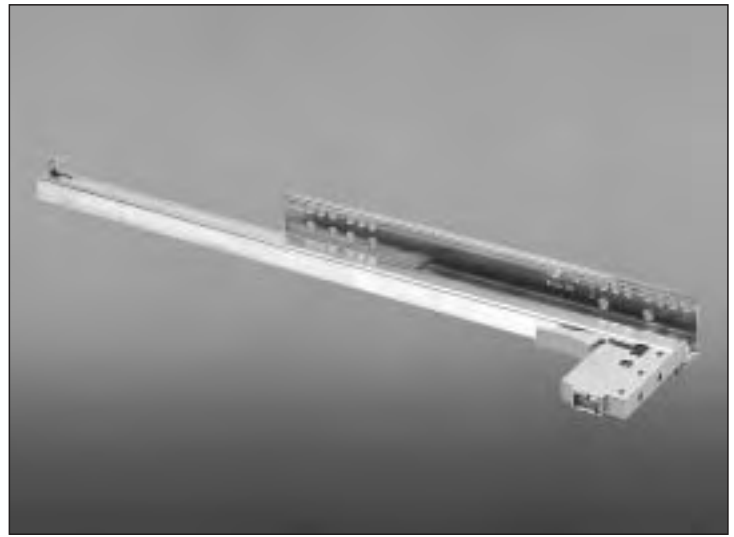
Cabinet dimensions



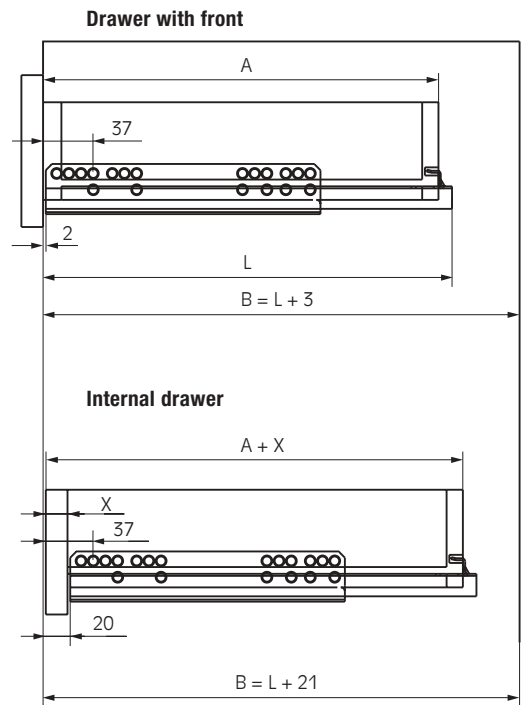
NL = Excel runner's nominal length
 B = Cabinet internal depth
 K = Cabinet internal width

Cabinet = Internal dimensions for:

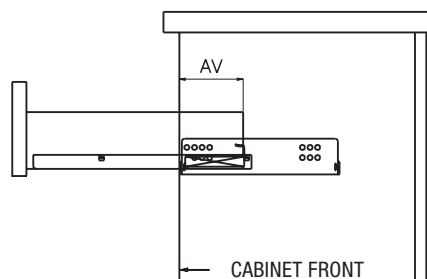
- Drawer with front: B min = NL+3 mm
- Internal drawer: B min = NL+21 mm



Drilling pattern



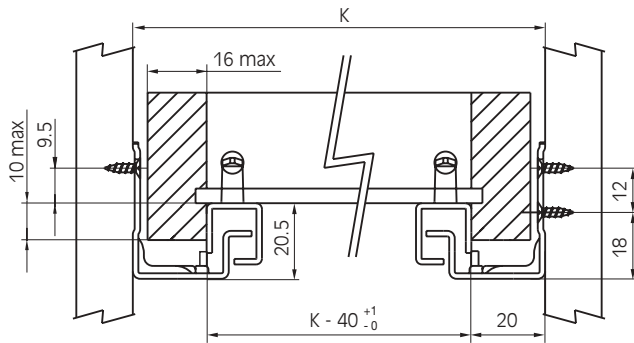
Extension loss



NL	N550	N550H
	AV	
250	68.5	78.5
300	68.5	78.5
350	88.5	98.5
400	108.5	118.5
450	108.5	118.5
500	108.5	118.5
550	128.5	138.5
600	128.5	138.5

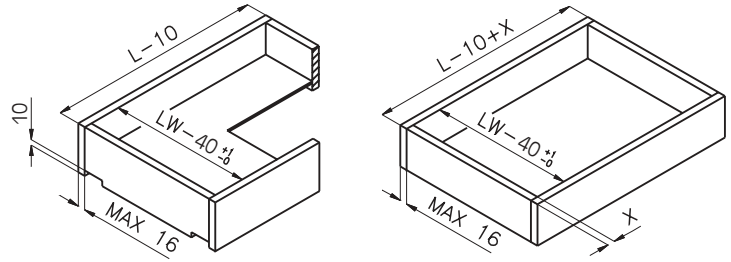
NL = Nominal Length
 AV = Extension loss

Fixing dimensions



L = EXCEL RUNNER NOMINAL LENGTH
 A = DRAWER DEPTH
 B = CABINET MIN INTERNAL DEPTH
 K = CABINET INTERNAL WIDTH

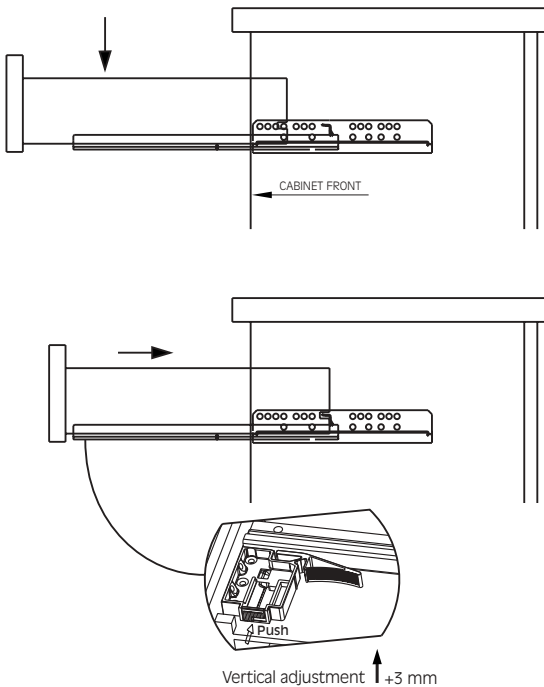
Drawer dimensions



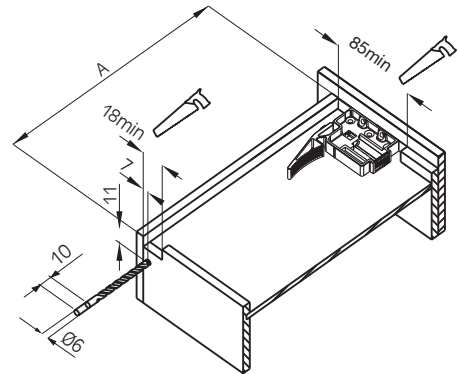
Drawer with front
 Depth: L-10

Internal drawer
 Depth: L-10+X

Drawer mounting



Dimensions and drilling of the drawer



N550		N550H	
L	A	L	A
250	240	260	250
300	290	310	300
350	340	360	350
400	390	410	400
450	440	460	450
500	490	510	500
550	540	560	550
600	590	610	600

Slowmotion and One-Touch



Slowmotion device
 available on request



One-Touch device
 available on request

Product codes

N550	N550H
Length	Length
54.N550.07.25_0	54.N550.H7.25_0
54.N550.07.30_0	54.N550.H7.30_0
54.N550.07.35_0	54.N550.H7.35_0
54.N550.07.40_0	54.N550.H7.40_0
54.N550.07.45_0	54.N550.H7.45_0
54.N550.07.50_0	54.N550.H7.50_0
54.N550.07.55_0	54.N550.H7.55_0
54.N550.07.60_0	54.N550.H7.60_0

0 = with Self-Closing
 X = with Slowmotion
 P = with One-Touch

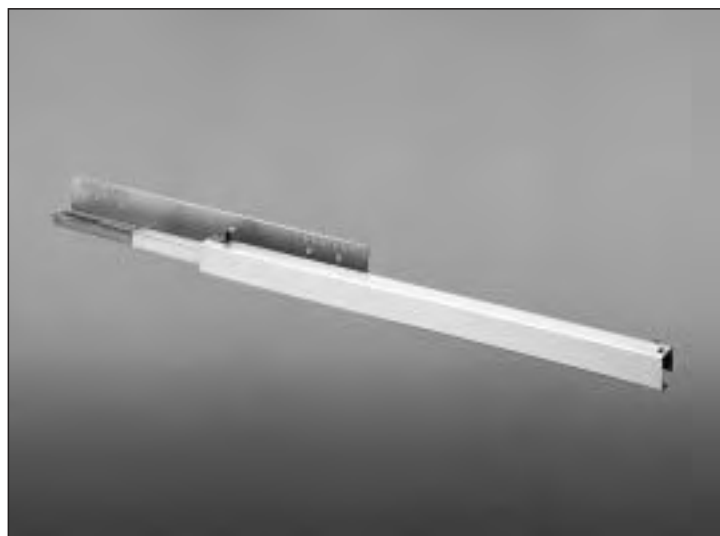
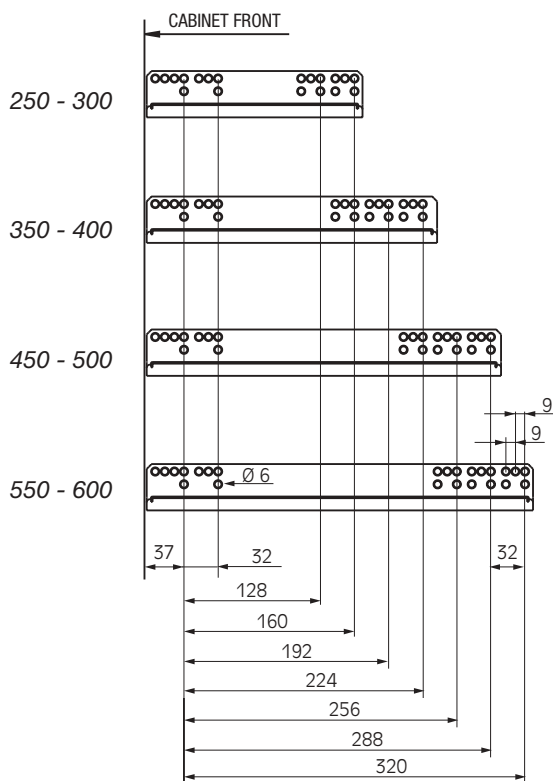
Excel N600-N600H

Concealed runner, Plug-in system full extension, bottom mounting

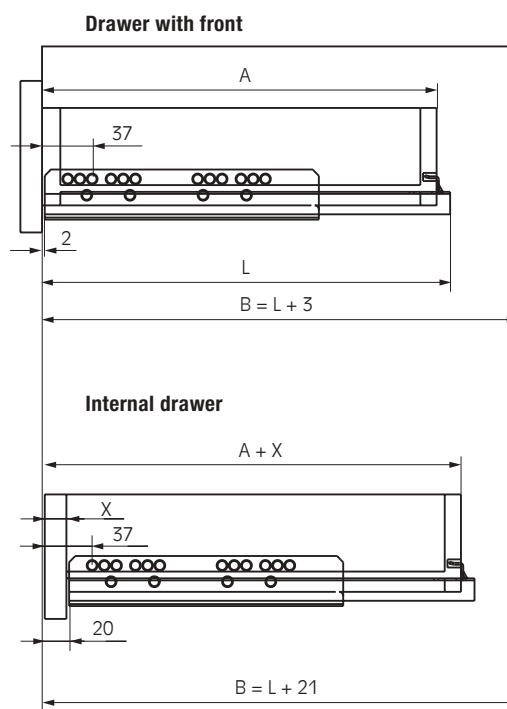
Technical details

- Soft closing "SLOWMOTION" - on request
- Opening system "ONE-TOUCH" - on request
- Silent system
- Self-closing system
- Greater side-to-side stability
- Front vertical adjustment + 4 mm
- Fastened to drawer with:
 - chipboard screws
 - Euro screws
 - pre-mounted 8 - 10 mm dowels

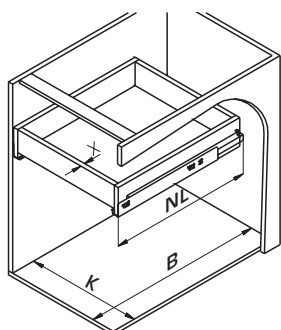
Fixing hole positions



Drilling pattern



Cabinet dimensions

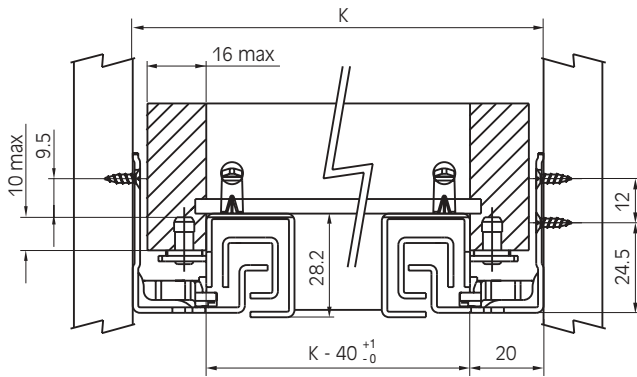


NL = Excel runner's nominal length
 B = Cabinet internal depth
 K = Cabinet internal width

Cabinet = Internal dimensions for:

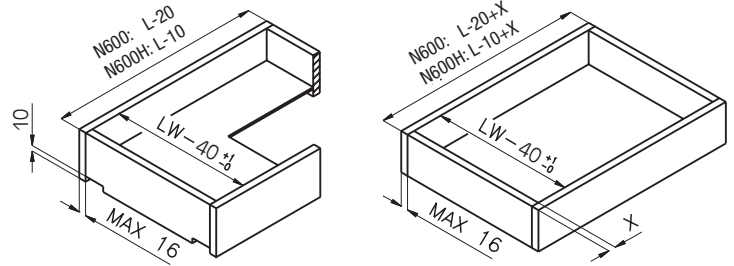
- Drawer with front: $B \text{ min} = NL + 3 \text{ mm}$
- Internal drawer: $B \text{ min} = NL + 21 \text{ mm}$

Fixing dimensions



L = EXCEL RUNNER NOMINAL LENGTH
 A = DRAWER DEPTH
 B = CABINET MIN INTERNAL DEPTH
 K = CABINET INTERNAL WIDTH

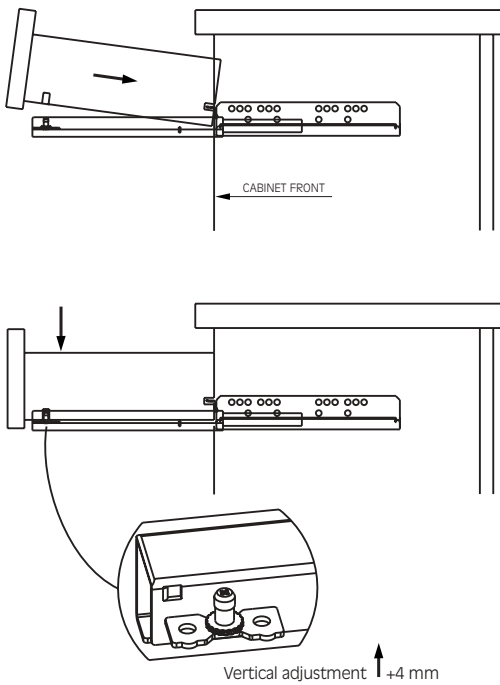
Drawer dimensions



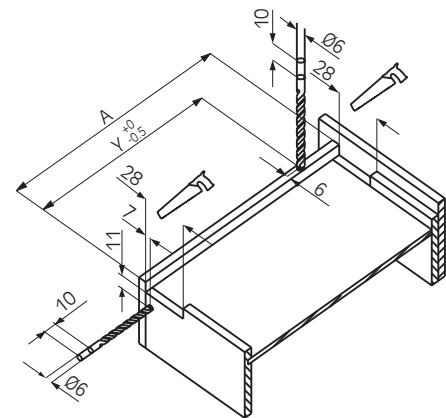
Drawer with front
 Depth: N600: L-20
 N600H: L-10

Internal drawer
 Depth: N600: L-20+X
 N600H: L-10+X

Drawer mounting



Dimensions and drilling of the drawer



N600			N600H		
L	A	Y	L	A	Y
260	240	221	260	250	231
310	290	271	310	300	281
360	340	321	360	350	331
410	390	371	410	400	381
460	440	421	460	450	431
510	490	471	510	500	481
560	540	521	560	550	531
610	590	571	610	600	581

Slowmotion and One-Touch



Slowmotion device
 available on request



One-Touch device
 available on request

Product codes

N600	N600H
Length	Length
54.N600.07.25_0	54.N600.H7.25_0
54.N600.07.30_0	54.N600.H7.30_0
54.N600.07.35_0	54.N600.H7.35_0
54.N600.07.40_0	54.N600.H7.40_0
54.N600.07.45_0	54.N600.H7.45_0
54.N600.07.50_0	54.N600.H7.50_0
54.N600.07.55_0	54.N600.H7.55_0
54.N600.07.60_0	54.N600.H7.60_0

0 = with Self-Closing
 X = with Slowmotion
 P = with One-Touch

- Bagged 12 pcs per box

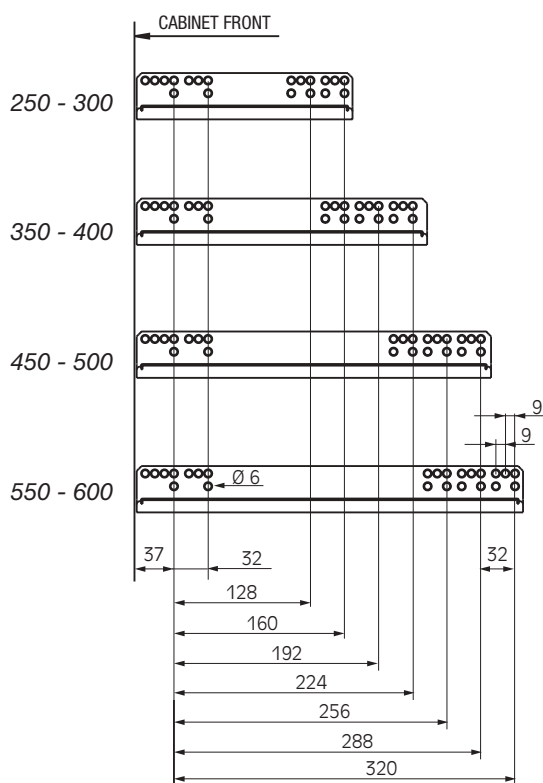
Excel N650-N650H

Concealed runner, Easy-Fix system full extension, bottom mounting

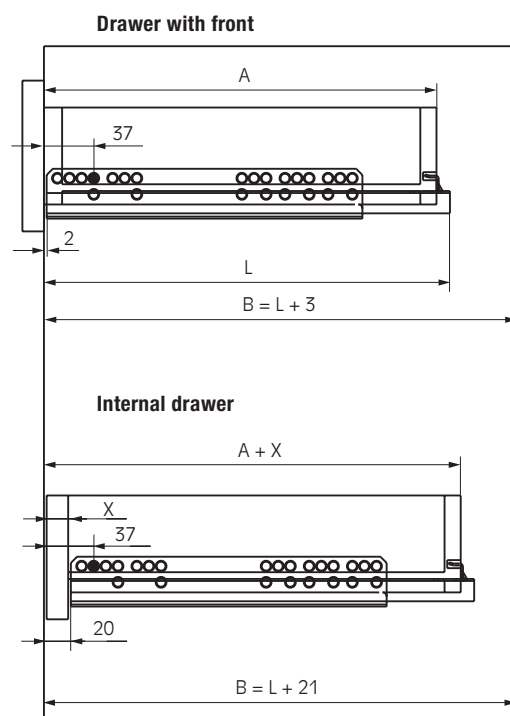
Technical details

- Soft closing "SLOWMOTION" - on request
- Opening system "ONE-TOUCH" - on request
- Silent system
- Self-closing system
- Greater side-to-side stability
- Front vertical adjustment + 3 mm
- Fastened to drawer with:
 - chipboard screws
 - Euro screws
 - pre-mounted 8 - 10 mm dowels

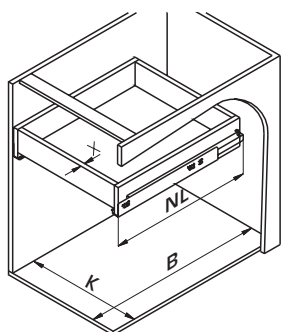
Fixing hole positions



Drilling pattern



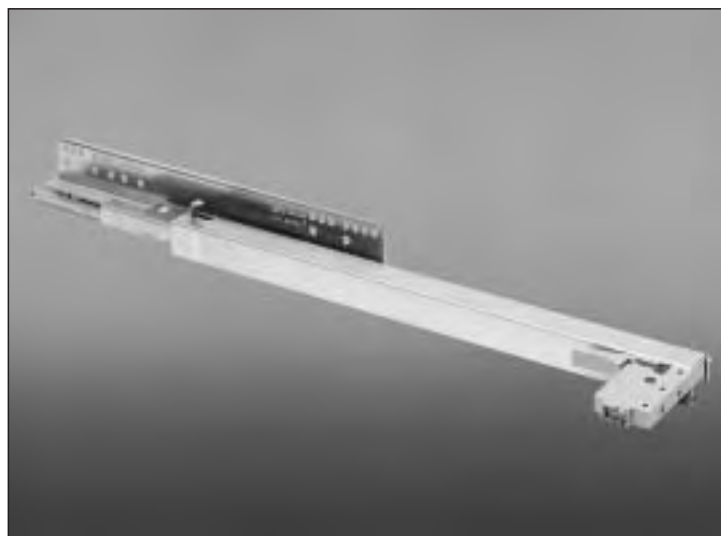
Cabinet dimensions



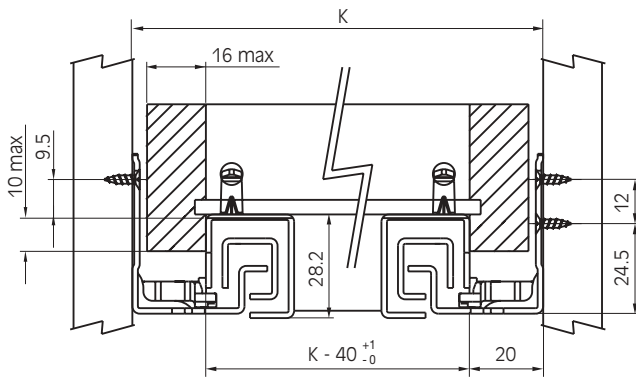
NL = Excel runner's nominal length
 B = Cabinet internal depth
 K = Cabinet internal width

Cabinet = Internal dimensions for:

- Drawer with front: B min = NL + 3 mm
- Internal drawer: B min = NL + 21 mm

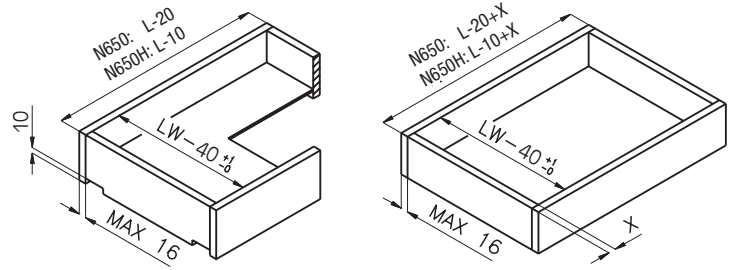


Fixing dimensions



L = EXCEL RUNNER NOMINAL LENGTH
 A = DRAWER DEPTH
 B = CABINET MIN INTERNAL DEPTH
 K = CABINET INTERNAL WIDTH

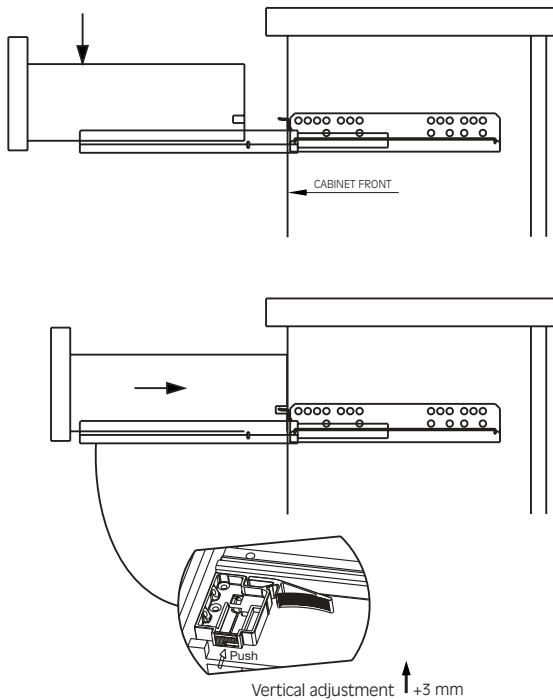
Drawer dimensions



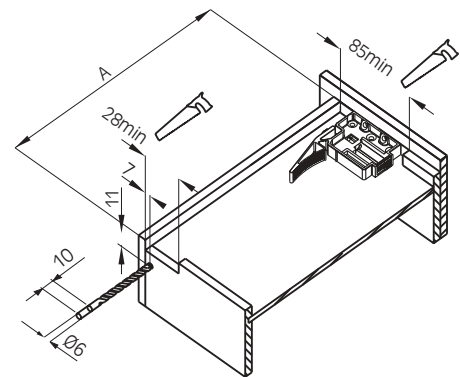
Drawer with front
 Depth: N650: L-20
 N650H: L-10

Internal drawer
 Depth: N650: L-20+X
 N650H: L-10+X

Drawer mounting



Dimensions and drilling of the drawer



N650		N650H	
L	A	L	A
260	240	260	250
310	290	310	300
360	340	360	350
410	390	410	400
460	440	460	450
510	490	510	500
560	540	560	550
610	590	610	600

Slowmotion and One-Touch



Slowmotion device
 available on request



One-Touch device
 available on request

Product codes

N650	N650H
Length	Length
54.N650.07.25_0	54.N650.H7.25_0
54.N650.07.30_0	54.N650.H7.30_0
54.N650.07.35_0	54.N650.H7.35_0
54.N650.07.40_0	54.N650.H7.40_0
54.N650.07.45_0	54.N650.H7.45_0
54.N650.07.50_0	54.N650.H7.50_0
54.N650.07.55_0	54.N650.H7.55_0
54.N650.07.60_0	54.N650.H7.60_0

0 = with Self-Closing
 X = with Slowmotion
 P = with One-Touch

- Bagged 12 pcs per box

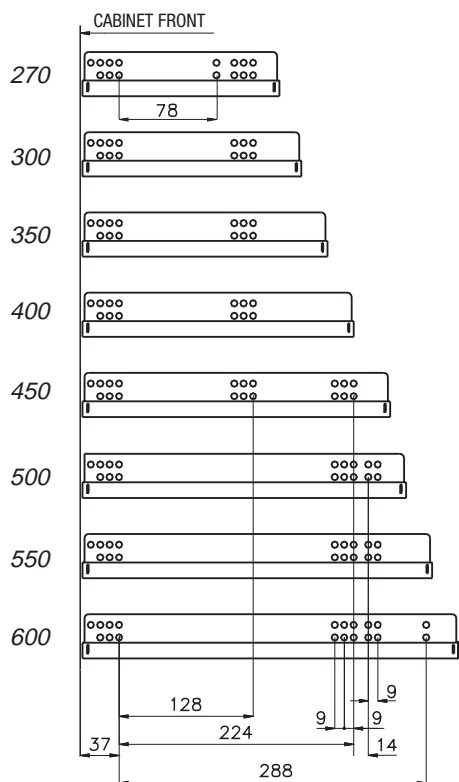
Excel N400

Concealed runner, Plug-In system, bottom mounting

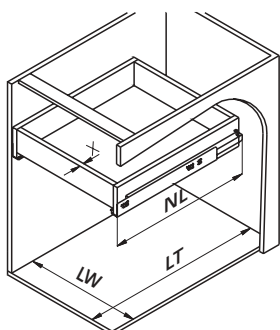
Technical details

- Silent system
- Self-closing system
- Greater side-to-side stability
- Front vertical adjustment + 4 mm
- Fastened to drawer with:
 - chipboard screws
 - Euro screws
 - pre-mounted 10 mm dowels
 - pre-mounted 8 mm dowels

Fixing hole positions



Cabinet dimensions



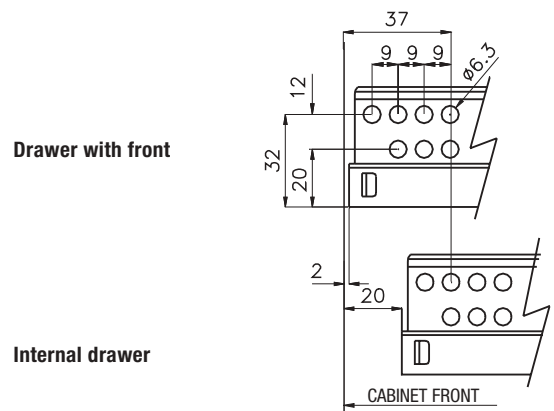
NL = Excel runner's nominal length
 LT = Cabinet internal depth
 LW = Cabinet internal width

Cabinet = Internal dimensions for:

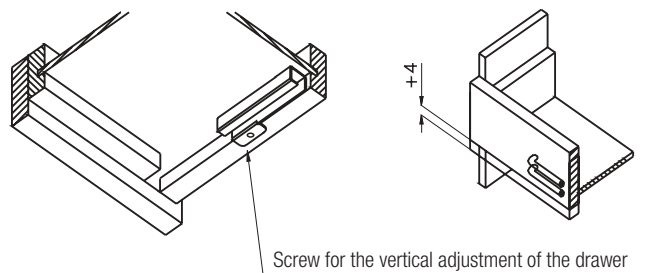
- Drawer with front: LT min = NL+3 mm
- Internal drawer: LT min = NL+21 mm



Drilling pattern

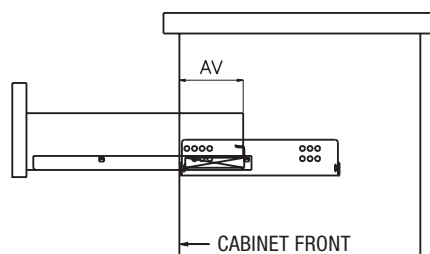


Adjustments



Screw for the vertical adjustment of the drawer

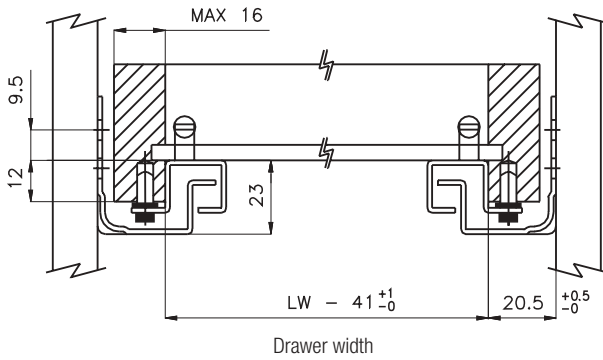
Extension loss



NL	AV
270	84.5
300	84.5
350	84.5
400	116.5
450	116.5
500	116.5
550	116.5
600	116.5

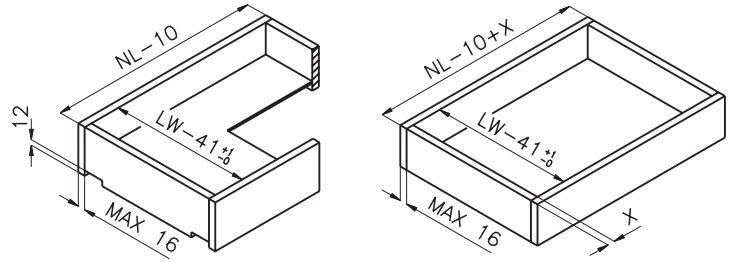
NL = Nominal Length
 AV = Extension loss

Fixing dimensions



Drawer width

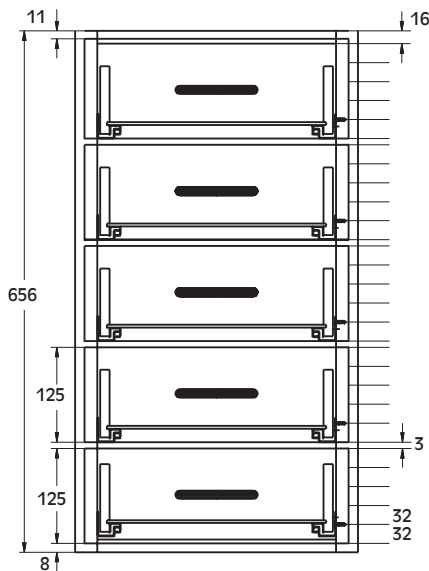
Drawer dimensions



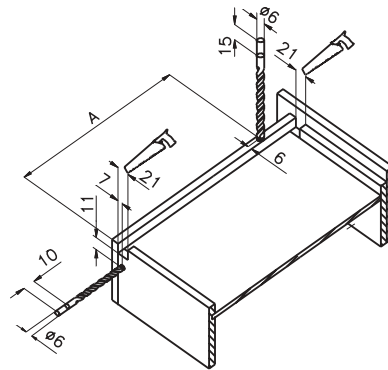
Drawer with front
Depth: NL-10

Internal drawer
Depth: NL-10+X

Position of the runners in the cabinet



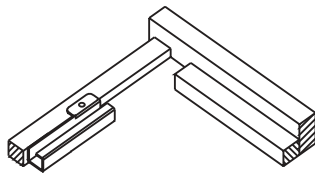
Dimensions and drilling of the drawer



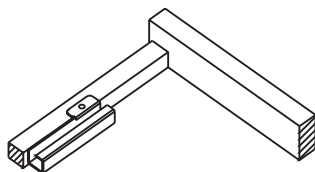
600	415
550	390
500	355
450	330
400	305
350	270
300	245
270	230
RUNNER	A

Runner mounting under drawer

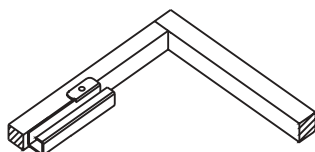
Four sided drawer with front



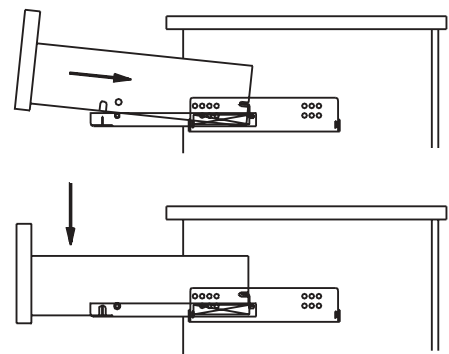
Three sided drawer with front



Internal drawer with front



Drawer mounting



Product codes

Double spring	
Length	
54.N400.07.270.0000	
54.N400.07.300.0000	
54.N400.07.350.0000	
54.N400.07.400.0000	
54.N400.07.450.0000	
54.N400.07.500.0000	
54.N400.07.550.0000	
54.N400.07.600.0000	

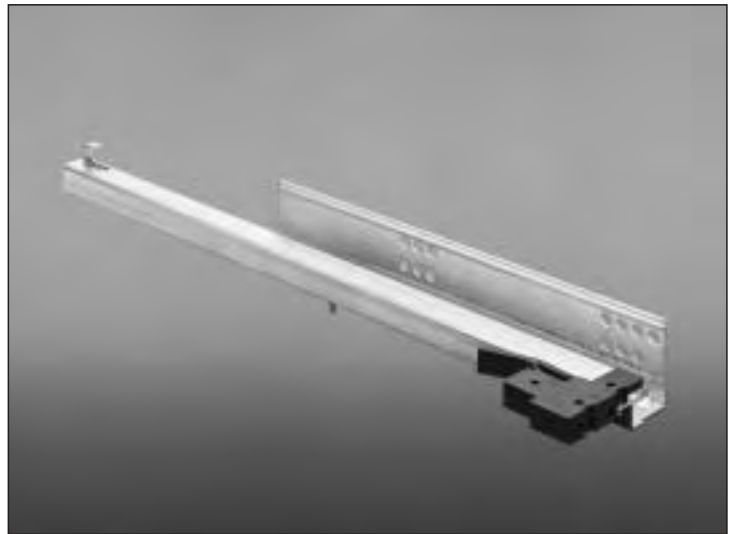
- Bagged 24 per box

Excel 450

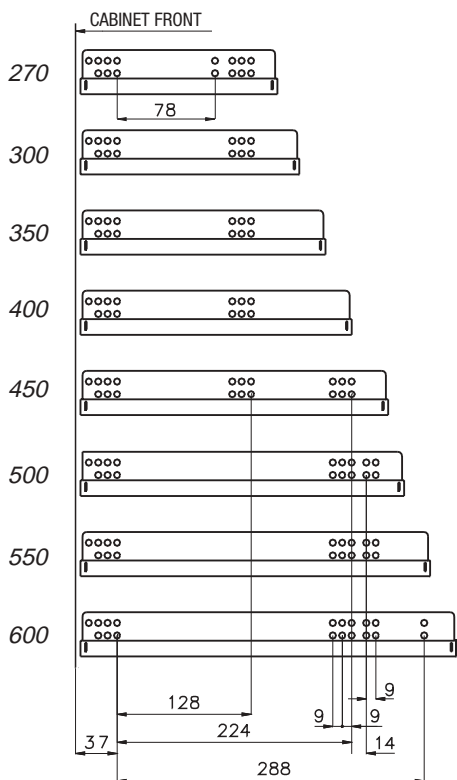
Concealed runner, Easy-Fix system, bottom mounting

Technical details

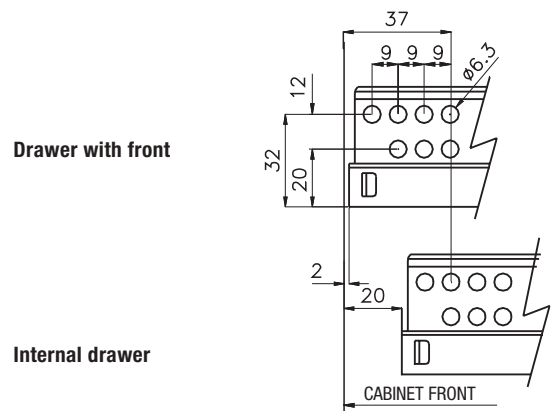
- Silent system
- Self-closing system
- Greater side-to-side stability
- Easy mounting without accidental release thanks to Easy fix device
- Front vertical adjustment + 3 mm
- Fastened to drawer with:
 - chipboard screws
 - Euro screws
 - pre-mounted 10 mm dowels
 - pre-mounted 8 mm dowels



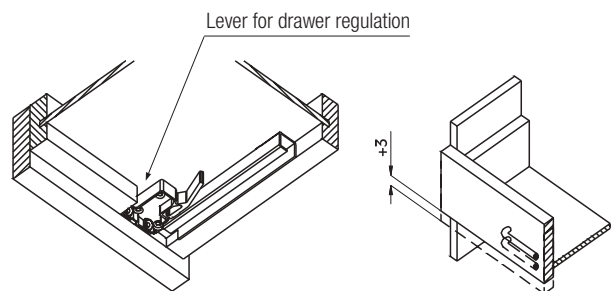
Fixing hole positions



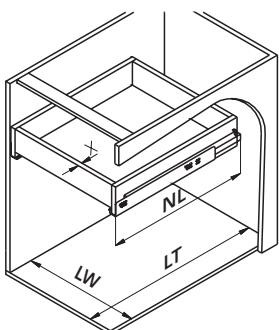
Drilling pattern



Adjustments



Cabinet dimensions

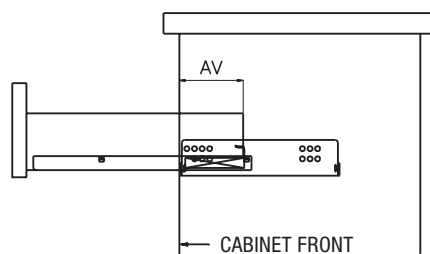


NL = Excel runner's nominal length
 LT = Cabinet internal depth
 LW = Cabinet internal width

Cabinet = Internal dimensions for:

- Drawer with front: LT min = NL+3 mm
- Internal drawer: LT min = NL+21 mm

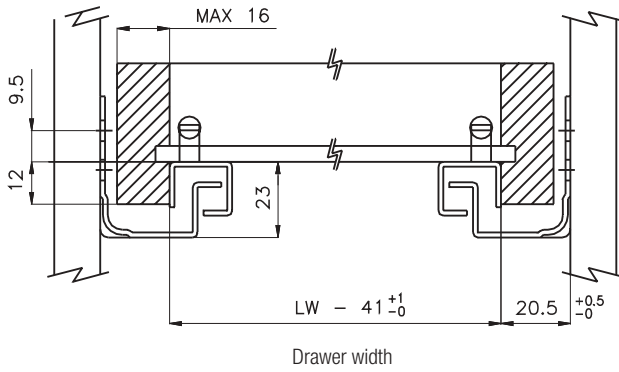
Extension loss



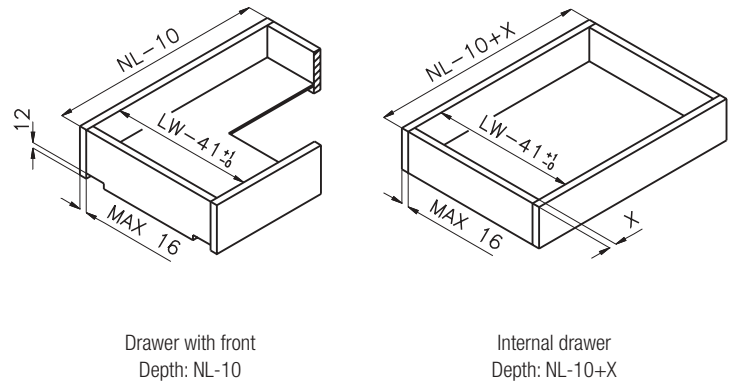
NL	AV
270	84.5
300	84.5
350	84.5
400	116.5
450	116.5
500	116.5
550	116.5
600	116.5

NL = Nominal Length
 AV = Extension loss

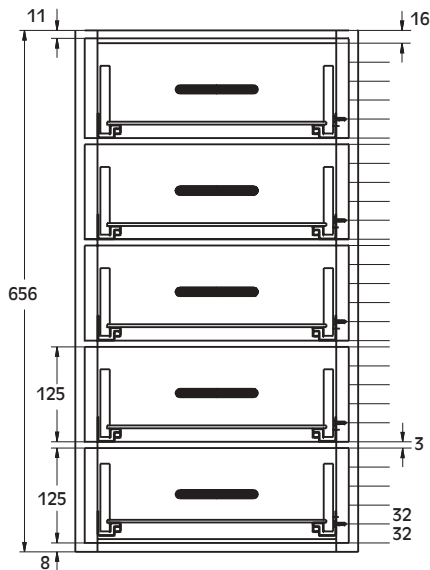
Fixing dimensions



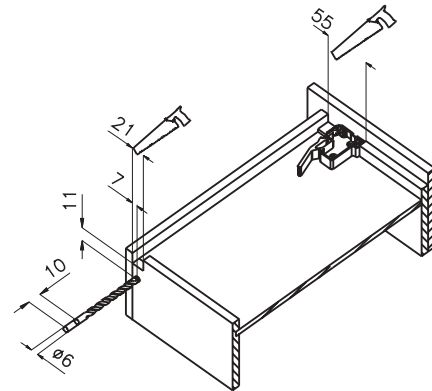
Drawer dimensions



Position of the runners in the cabinet

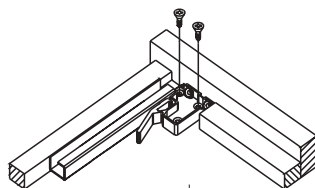


Dimensions and drilling of the drawer

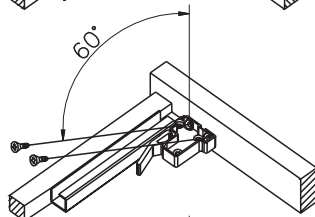


Runner mounting under drawer

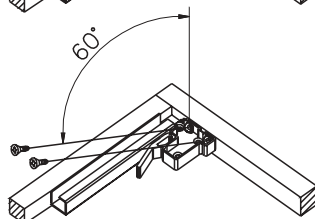
Four sided drawer with front



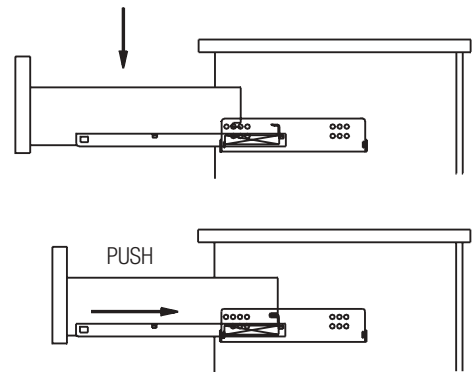
Three sided drawer with front



Internal drawer with front



Drawer mounting



Product codes

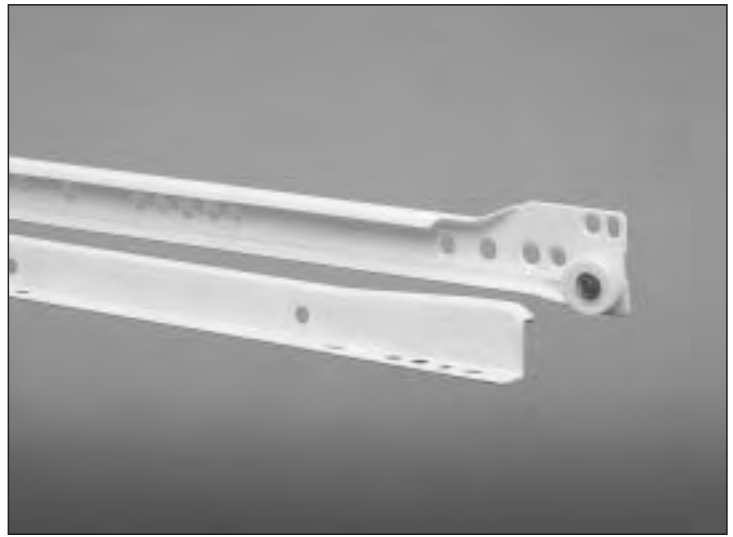
Double spring	
Length	
54.0450.07.270.0000	
54.0450.07.300.0000	
54.0450.07.350.0000	
54.0450.07.400.0000	
54.0450.07.450.0000	
54.0450.07.500.0000	
54.0450.07.550.0000	
54.0450.07.600.0000	

- Bagged 24 per box

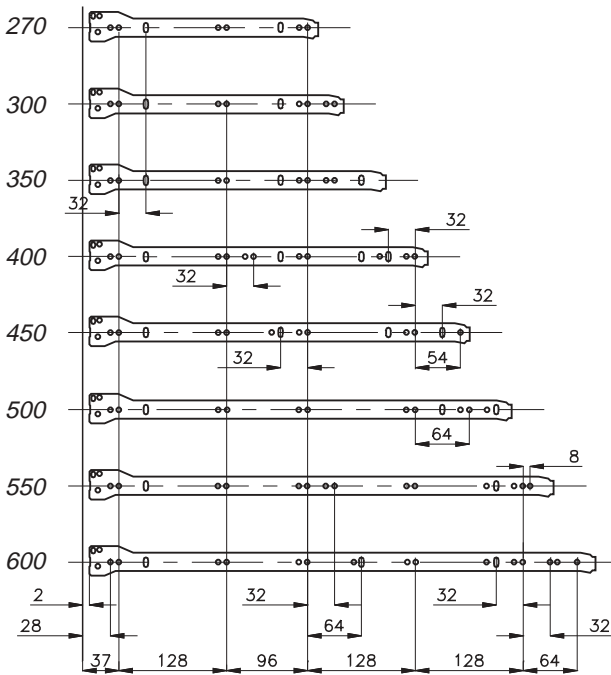
082 Roller runner, bottom mounting self-closing slide

Technical details

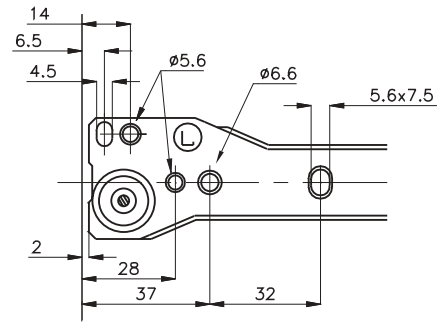
- Self-closing system
- Anti-noise epoxy-powder treatment
- Safety double stop
- Fastened to drawer with:
 - chipboard screws
 - Euro screws
 - pre-mounted 10 mm dowels
 - pre-mounted 8 mm dowels



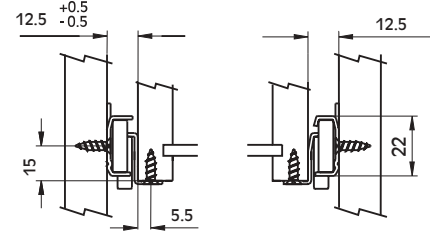
Mounting hole position



Drilling diagram



Installation measurements



Product codes

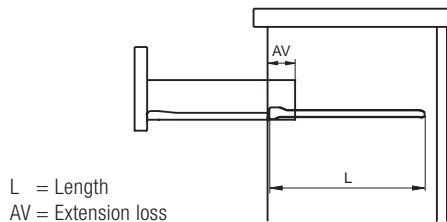
O = Dowels Ø 10 x 10
 A = Dowels Ø 8 x 11
 D = Dowels Ø 8 x 8

Screw fixing	Dowel fixing	Standard position for the dowels
Length	Length	
54.0082.0*.270._0	54.0084._*.270._0	
54.0082.0*.300._0	54.0084._*.300._0	
54.0082.0*.350._0	54.0084._*.350._0	
54.0082.0*.400._0	54.0084._*.400._0	
54.0082.0*.450._0	54.0084._*.450._0	
54.0082.0*.500._0	54.0084._*.500._0	
54.0082.0*.550._0	54.0084._*.550._0	
54.0082.0*.600._0	54.0084._*.600._0	

- 0 = Profile packaging, 100 per box
- 1 = Pair packaging, 25 per box
- 2 = Pairs fastened with adhesive tape, 25 per box
- 3 = Bagged pairs, 25 per box with screws
- 5 = Bagged pairs, 25 per box without screws

- * = Available colours:
- 1 = White Ral 9010
 - 2 = Brown
 - 3 = Black Ral 9005
 - 4 = Ivory Ral 9001
 - 5 = Beige
 - 6 = Grey Ral 7004
 - 8 = Silver Ral 9006

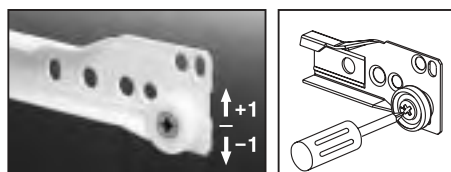
Extension loss



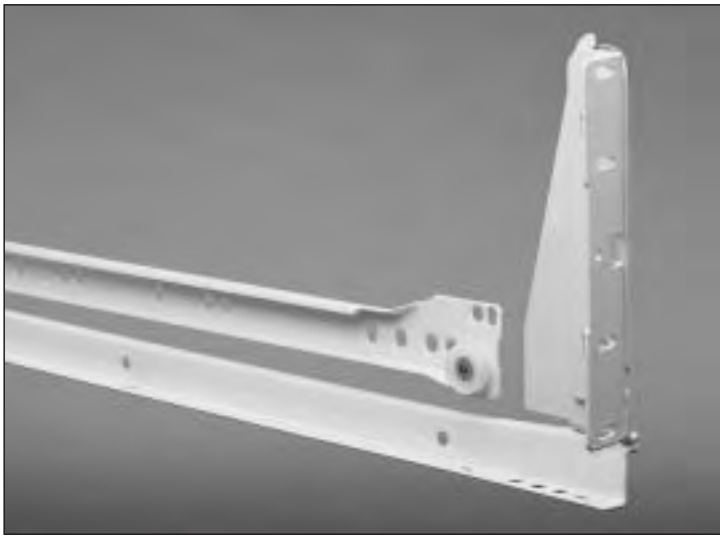
L = Length
 AV = Extension loss

L	AV
270	87
300	87
350	87
400	97
450	97
500	97
550	117
600	117

Vertical adjustment



Available on request

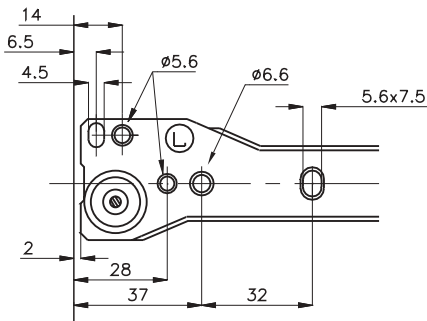


182 Roller runner, self-closing pan drawer slide with front bracket

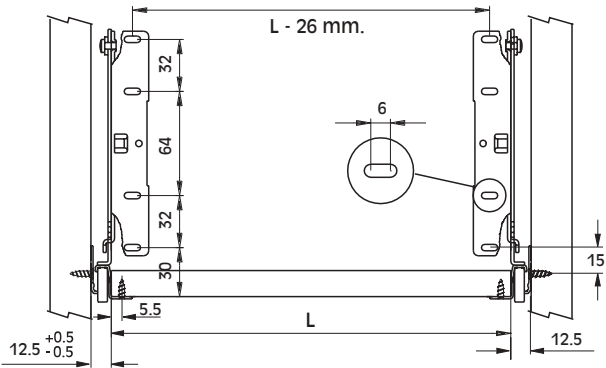
Technical details

- Self-closing system
- Anti-noise epoxy-powder treatment
- Safety double stop
- Fastened to drawer with:
 - chipboard screws
 - Euro screws
 - pre-mounted 10 mm dowels
 - pre-mounted 8 mm dowels

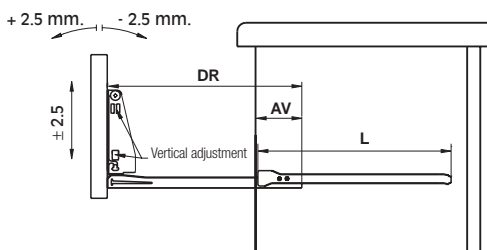
Drilling diagram



Installation measurements



Extension loss

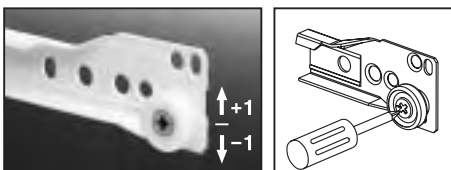


DR	L	AV
270	270	87
300	300	87
350	350	87
400	400	97
450	450	97
500	500	97
550	550	117
600	600	117

DR = Length of runner
L = Length of carcass member

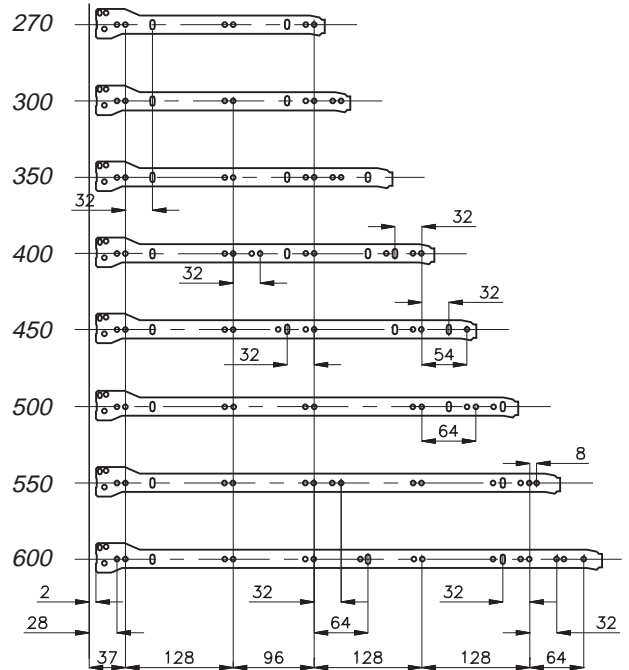
AV = Extension loss

Vertical Adjustment



Available on request

Mounting hole position



Product codes

O = Dowels Ø 10 x 10
A = Dowels Ø 8 x 11
D = Dowels Ø 8 x 8

Screw fixing	Dowel fixing	Standard position for the dowels
Length	Length	
54.0182.0*.270.00	54.0184.*.270.00	37 224
54.0182.0*.300.00	54.0184.*.300.00	224
54.0182.0*.350.00	54.0184.*.350.00	256
54.0182.0*.400.00	54.0184.*.400.00	320
54.0182.0*.450.00	54.0184.*.450.00	352
54.0182.0*.500.00	54.0184.*.500.00	416
54.0182.0*.550.00	54.0184.*.550.00	448
54.0182.0*.600.00	54.0184.*.600.00	512

Packing of profiles:
carcass member, 100 per box
drawer member, 25 per box

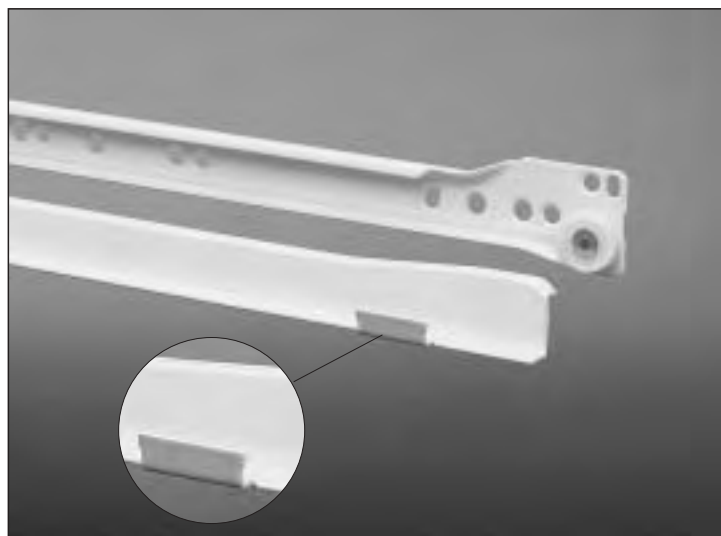
* = Available colours:

- 1 = White Ral 9010
- 2 = Brown
- 3 = Black Ral 9005
- 4 = Ivory Ral 9001
- 5 = Beige
- 6 = Grey Ral 7004
- 8 = Silver Ral 9006

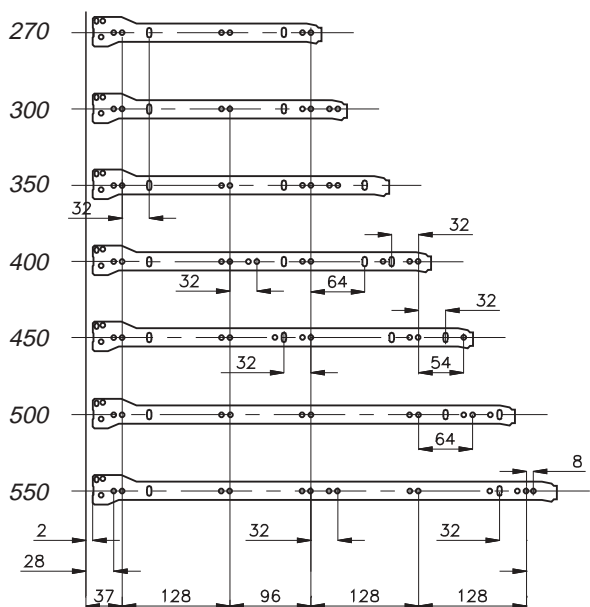
R82 Roller runner, machine driven, clamp fix bottom mounting self-closing slide

Technical details

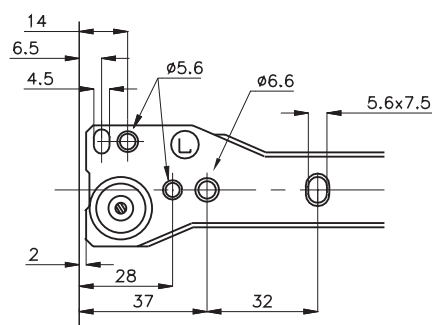
- Self-closing system
- Anti-noise epoxy-powder treatment
- Safety double stop
- Fastened to drawer with:
 - chipboard screws
 - Euro screws
 - pre-mounted 10 mm dowels
 - pre-mounted 8 mm dowels



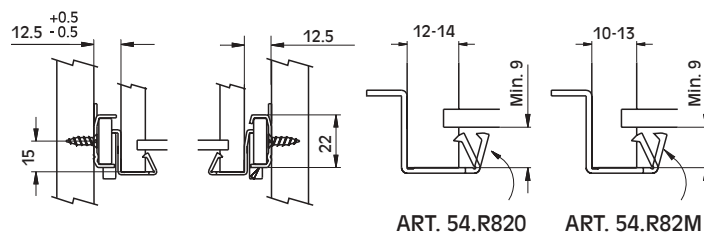
Mounting hole position



Drilling diagram



Installation measurements



Product codes

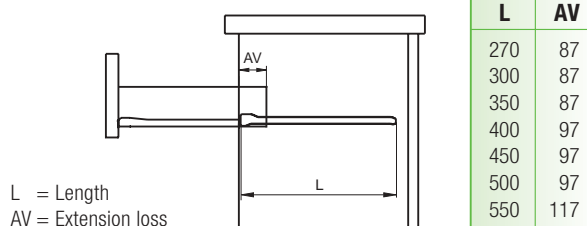
O = Dowels ϕ 10 x 10
 A = Dowels ϕ 8 x 11
 D = Dowels ϕ 8 x 8

Screw fixing	Dowels fixing	Standard position for the dowels
Length	Length	
54.0R82.0*.27_.00	54.0R84.*.27_.00	
54.0R82.0*.30_.00	54.0R84.*.30_.00	
54.0R82.0*.35_.00	54.0R84.*.35_.00	
54.0R82.0*.40_.00	54.0R84.*.40_.00	
54.0R82.0*.45_.00	54.0R84.*.45_.00	
54.0R82.0*.50_.00	54.0R84.*.50_.00	
54.0R82.0*.55_.00	54.0R84.*.55_.00	

O = For drawer side 12-14
 M = For drawer side 10-13
 Profile packaging, 100 per box

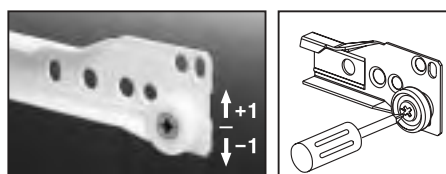
* = Available colours:
 1 = White Ral 9010
 2 = Brown
 3 = Black Ral 9005
 4 = Ivory Ral 9001
 5 = Beige
 6 = Grey Ral 7004
 8 = Silver Ral 9006

Extension loss

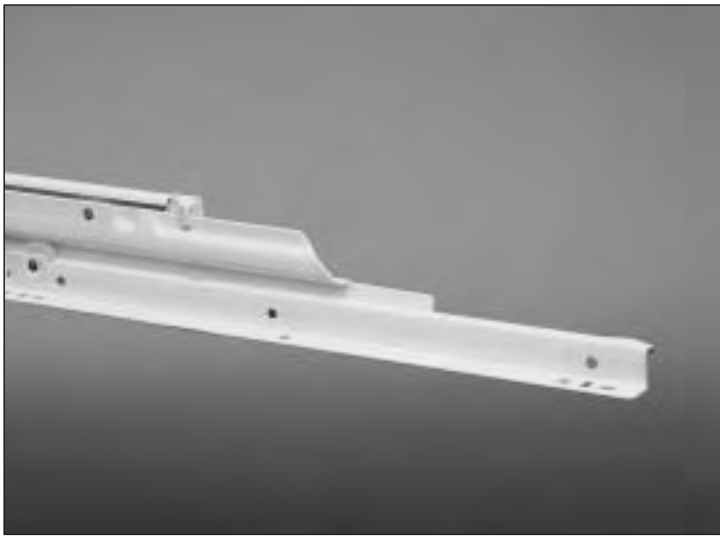


The machine for mounting these runners is shown on page 20 of this catalogue

Vertical adjustment



Available on request

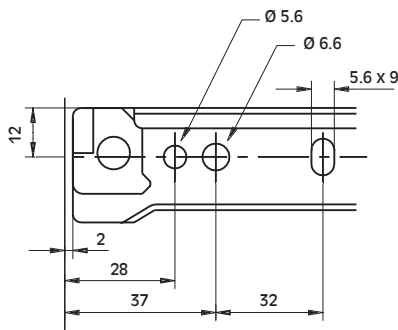


062 Roller runner, bottom mounting full extension slide, self-closing

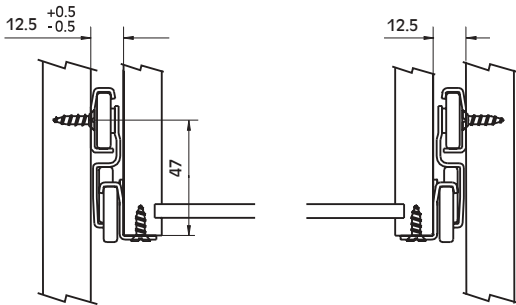
Technical details

- Self-closing system
- Anti-noise epoxy-powder treatment
- Safety double stop
- Fastened to drawer with:
 - chipboard screws
 - Euro screws

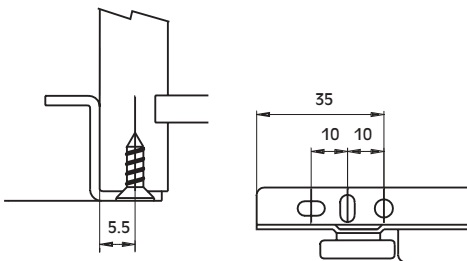
Drilling diagram



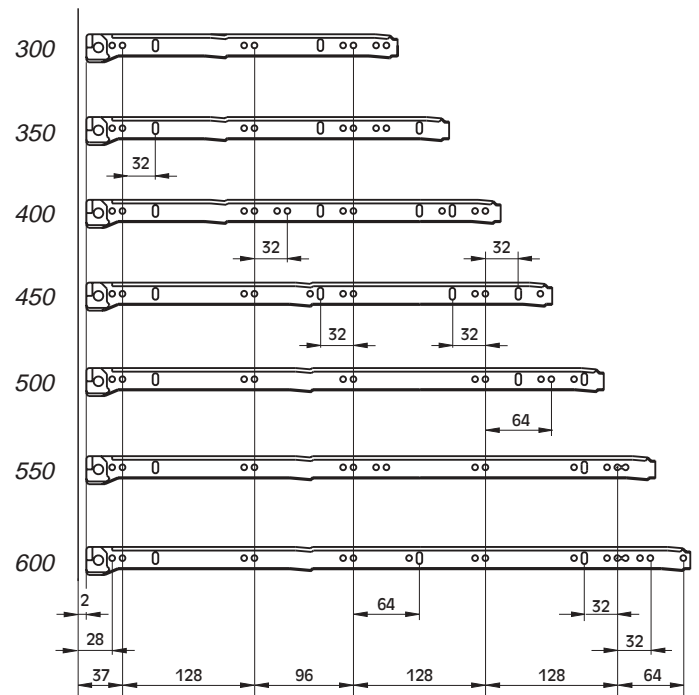
Installation measurements



Drawer member installation measurements



Mounting hole position



Product codes

Screw fixing	
Length	
54.5062.0*	.300._0
54.5062.0*	.350._0
54.5062.0*	.400._0
54.5062.0*	.450._0
54.5062.0*	.500._0
54.5062.0*	.550._0
54.5062.0*	.600._0

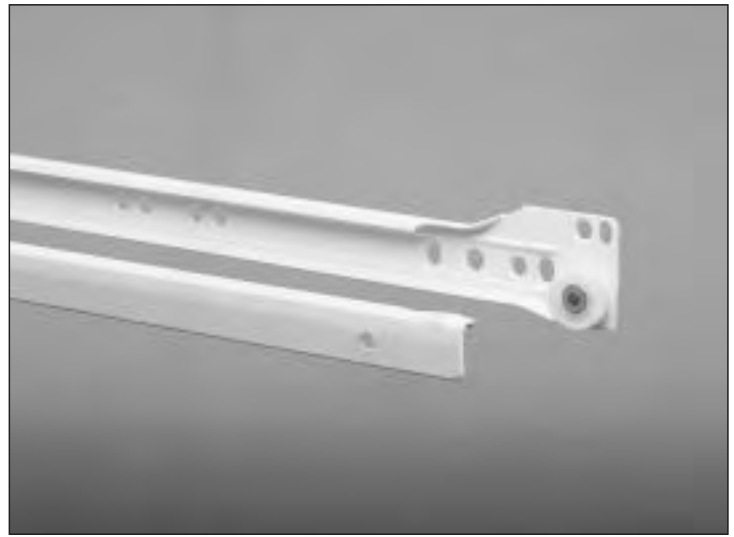
- 0 = Profile packaging, 10 per box
- 2 = Pairs fastened with adhesive tape, 10 per box
- 3 = Bagged pairs, 10 per box

- * = Available colours:
- 1 =White Ral 9010
- 2 =Brown
- 3 =Black Ral 9005
- 4 =Ivory Ral 9001
- 5 =Beige

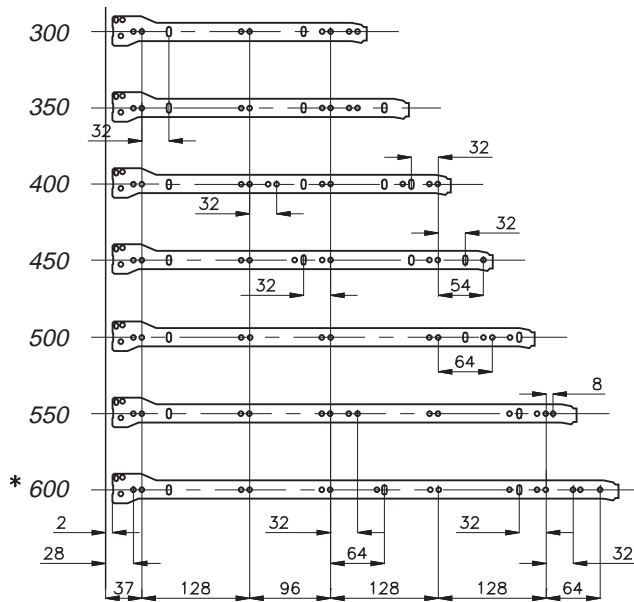
085 Roller runner, side mounting, non self-closing

Technical details

- Anti-noise epoxy-powder treatment
- Safety double stop
- Fastened to drawer with:
 - chipboard screws
 - Euro screws
 - pre-mounted 10 mm dowels
 - pre-mounted 8 mm dowels

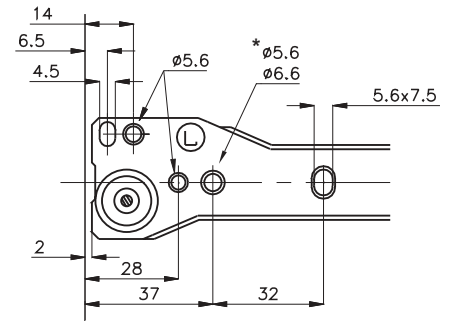


Mounting hole position

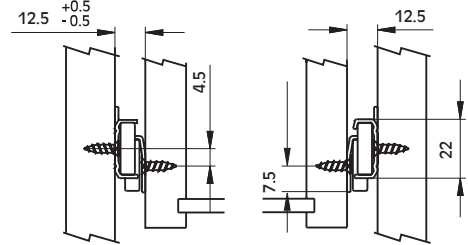


* See Drilling Diagram

Drilling diagram



Installation measurements



Product codes

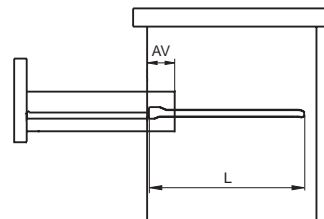
- O = Dowels Ø 10 x 10
- A = Dowels Ø 8 x 11
- D = Dowels Ø 8 x 8

Screw fixing	Dowel fixing	Standard position for the dowels
Length	Length	
54.5085.0* 300_0	54.5087._* 300_0	
54.5085.0* 350_0	54.5087._* 350_0	
54.5085.0* 400_0	54.5087._* 400_0	
54.5085.0* 450_0	54.5087._* 450_0	
54.5085.0* 500_0	54.5087._* 500_0	
54.5085.0* 550_0	54.5087._* 550_0	
54.5085.0* 600_0	54.5087._* 600_0	

- 0 = Profile packaging, 100 per box
- 1 = Pair packaging, 25 per box
- 2 = Pairs fastened with adhesive tape, 25 per box
- 3 = Bagged pairs, 25 per box with screws
- 5 = Bagged pairs, 25 per box without screws

- * = Available colours:
- 1 = White Ral 9010
- 2 = Brown
- 3 = Black Ral 9005
- 4 = Ivory Ral 9001
- 5 = Beige
- 6 = Grey Ral 7004
- 8 = Silver Ral 9006

Extension loss



L = Length
AV = Extension loss

L	AV
300	87
350	87
400	97
450	97
500	97
550	117
600	117



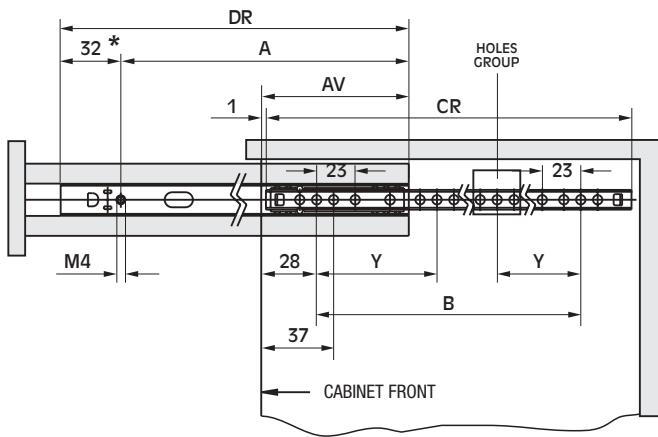
120 Ball bearing runners for 17 mm groove

Technical details

- Greater side-to-side stability
- Groove dimension 17 mm x 6-7 mm
- Fastened to drawer with:
 - chipboard screws
 - pre-mounted 5 mm steel dowels
 - pre-mounted 8 mm nylon dowels
 - pre-mounted 10 mm nylon dowels



Drilling position



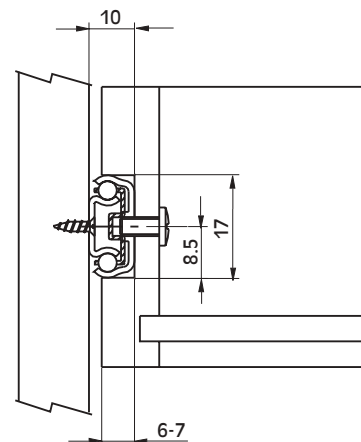
Drawer Length mm	DR = mm	CR = mm	AV = mm	A = mm	B = mm	Y = mm	Holes group
• 250	133	150	52	101	96	/	2
300	184	182	58	152	128	64	3
350	214	214	70	182	160	80	3
400	246	246	88	214	192	96	3
450	280	278	100	248	224	64	4
500	312	310	112	280	256	64	4
550	344	342	118	312	288	64	4

- Special version only on request
- * Available special version with 44 mm drilling

Product codes

Drawer Length	Runner 120
	Length
250 mm	54.5120.07.150.00
300 mm	54.5120.07.182.00
350 mm	54.5120.07.214.00
400 mm	54.5120.07.246.00
450 mm	54.5120.07.278.00
500 mm	54.5120.07.310.00
550 mm	54.5120.07.342.00

Dimension scheme



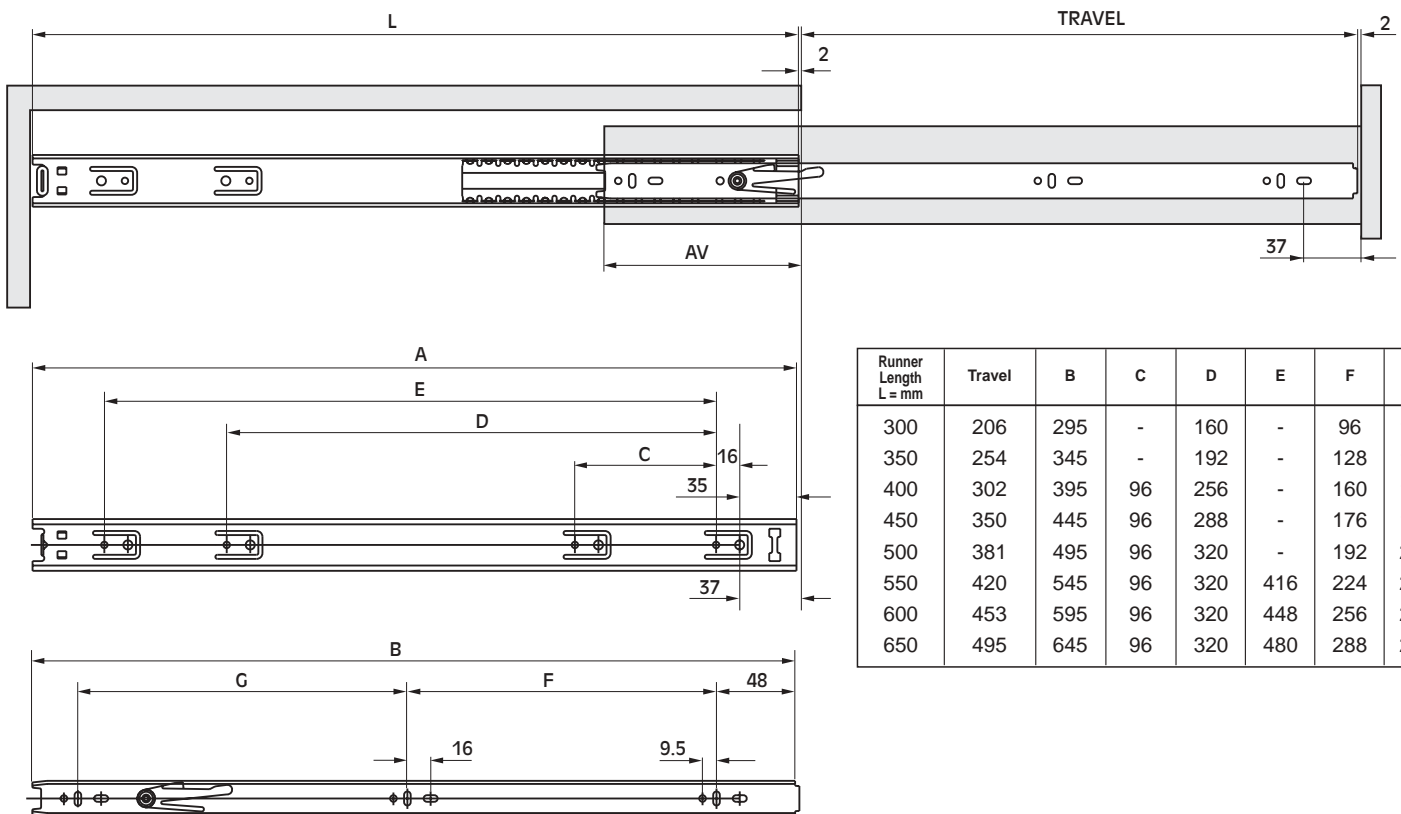
135 35 mm ball bearing runners

Technical details

- Fastened to drawer with chipboard screws
- Sliding on steel ball bearings
- Greater side-to-side stability
- Unlocking device



Mounting hole position



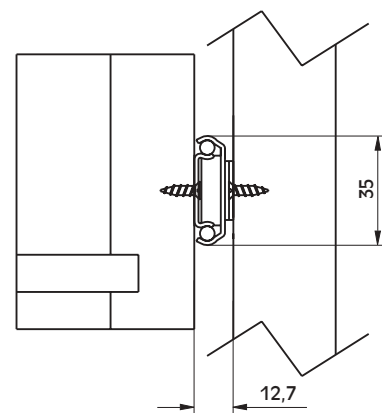
Product codes

Runner 135	
Length	
54.5135.0_	300.00
54.5135.0_	350.00
54.5135.0_	400.00
54.5135.0_	450.00
54.5135.0_	500.00
54.5135.0_	550.00
54.5135.0_	600.00
54.5135.0_	650.00

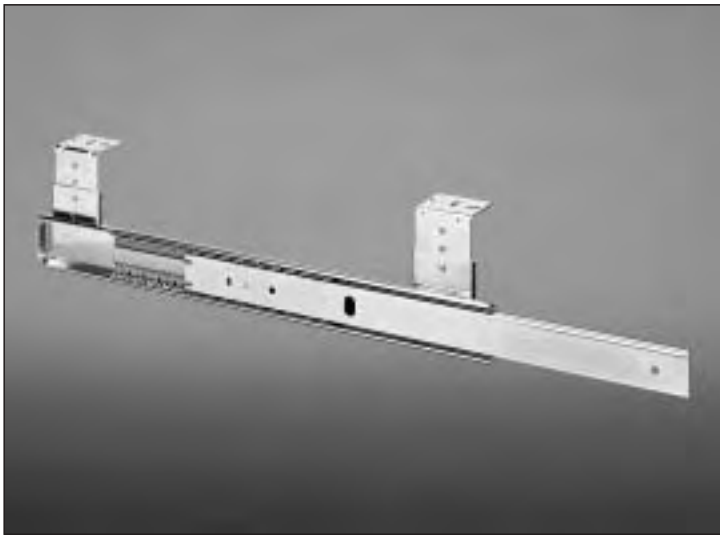
7 = Zincate
3 = Black

Pair packaging: 20 per box

Dimension scheme



Screws for this slide series are illustrated on page 37

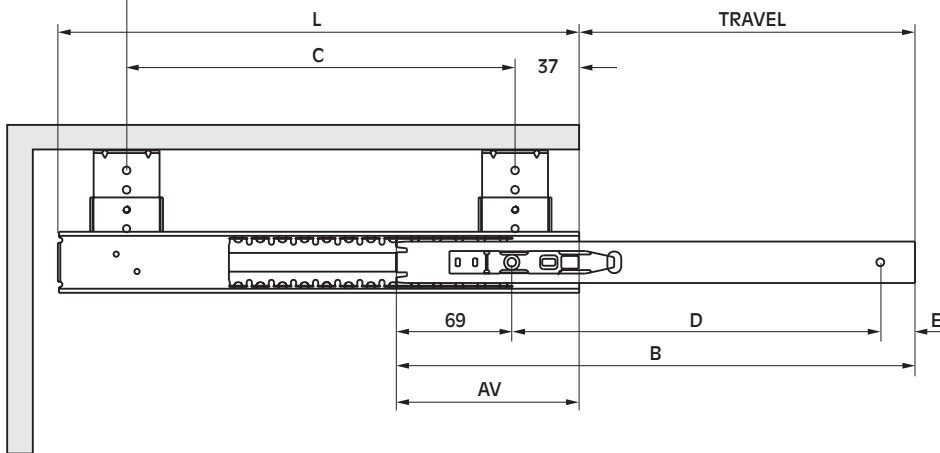
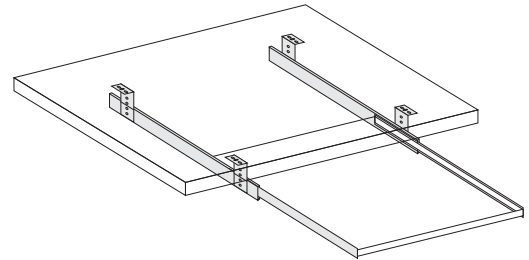
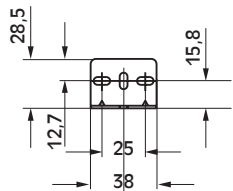


135K Ball bearing slides for pull-out shelf

Technical details

- Fastened to drawer with chipboard screws
- Sliding on steel ball bearings
- Stopping device
- Unlocking device

Mounting hole position



Runner Length L = mm	Travel	B	C	D	E	AV
300	194	299	224	192	38	106
350	244	349	288	256	24	106
400	294	399	320	288	42	106
450	344	449	384	352	28	106
500	394	499	416	384	46	106
550	444	549	480	448	32	106
600	494	599	480	512	18	106

Product codes

Dimension scheme

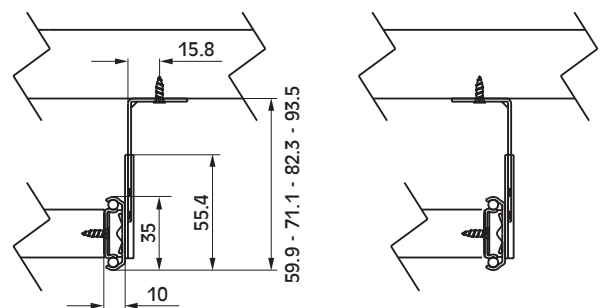
Runner 135 K	
Length	
54.5135.0_.30K.00	
54.5135.0_.35K.00	
54.5135.0_.40K.00	
54.5135.0_.45K.00	
54.5135.0_.50K.00	
54.5135.0_.55K.00	

7 = Zincate
3 = Black

KIT details:

- 1 Drawer runner dx
- 1 Drawer runner sx
- 4 Brackets
- 4 Flat head screws M4
- 8 Self-tapping screws (4x15)

Pair packaging: 10 per box



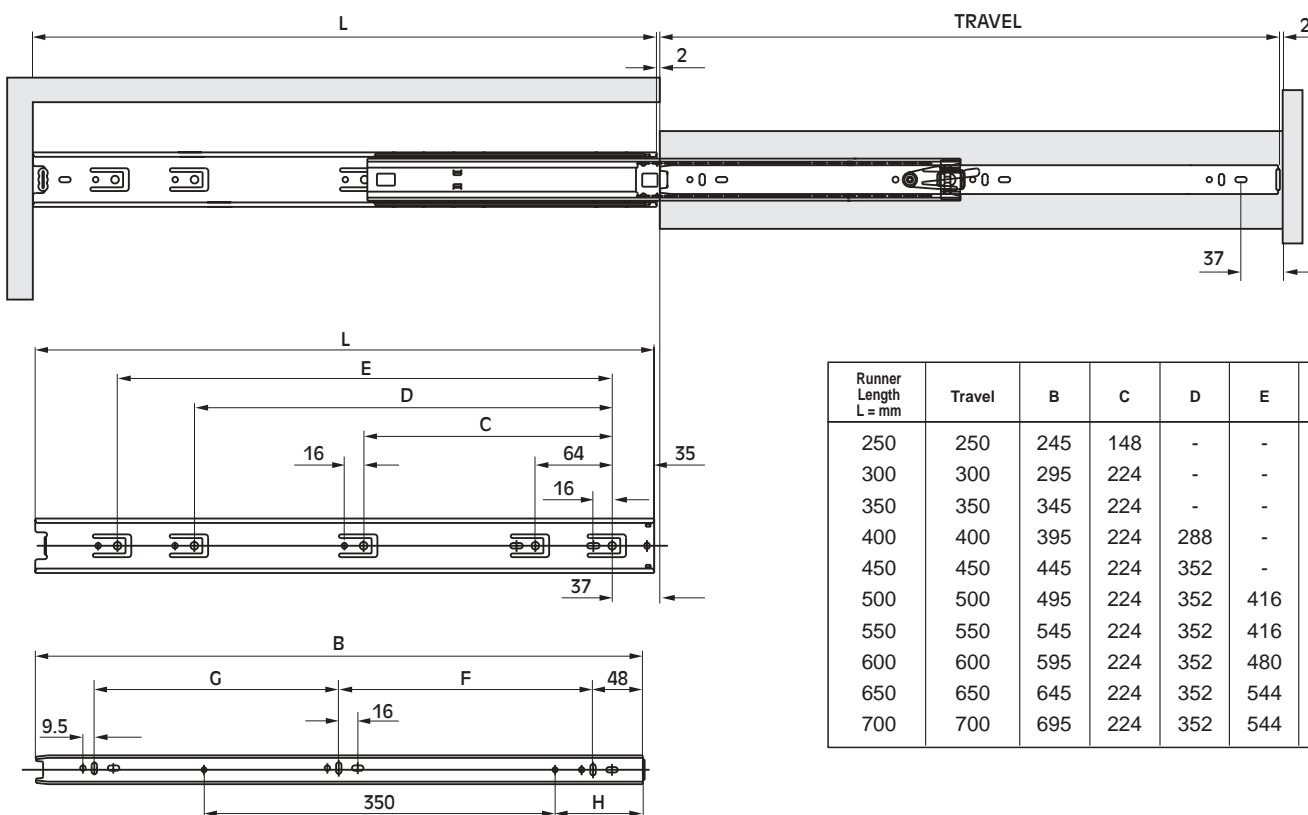
145 45 mm ball bearing runners

Technical details

- Fastened to drawer with chipboard screws
- Progressive full extension ball bearing runners
- Sliding on steel ball bearings
- Unlocking device



Mounting hole position



Runner Length L = mm	Travel	B	C	D	E	F	G	H
250	250	245	148	-	-	176	-	-
300	300	295	224	-	-	96	128	-
350	350	345	224	-	-	128	128	-
400	400	395	224	288	-	160	160	-
450	450	445	224	352	-	160	192	81
500	500	495	224	352	416	192	224	-
550	550	545	224	352	416	224	224	-
600	600	595	224	352	480	256	256	-
650	650	645	224	352	544	288	288	-
700	700	695	224	352	544	288	320	-

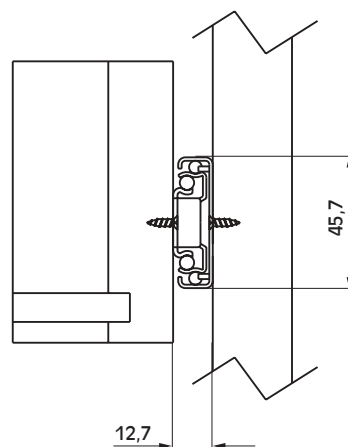
Product codes

Runner 145	
Length	
54.5145.0_	300.00
54.5145.0_	350.00
54.5145.0_	400.00
54.5145.0_	450.00
54.5145.0_	500.00
54.5145.0_	550.00
54.5145.0_	600.00
54.5145.0_	650.00
54.5145.0_	700.00

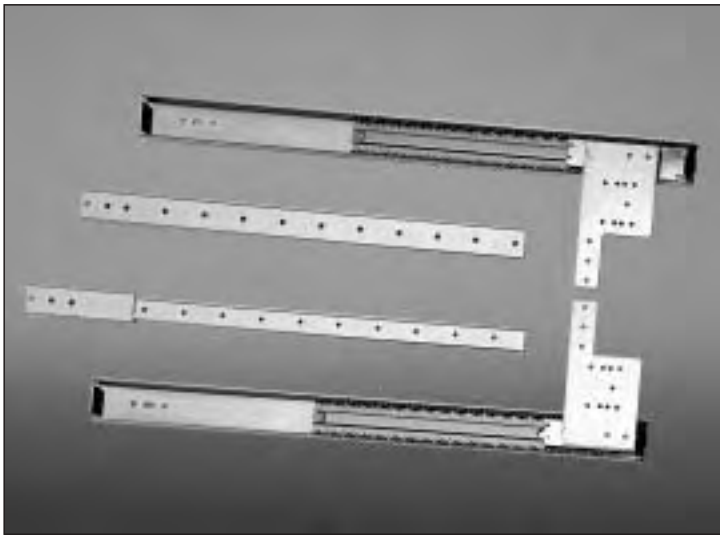
7 = Zincate
3 = Black

Pair packaging: 10 per box

Dimension scheme



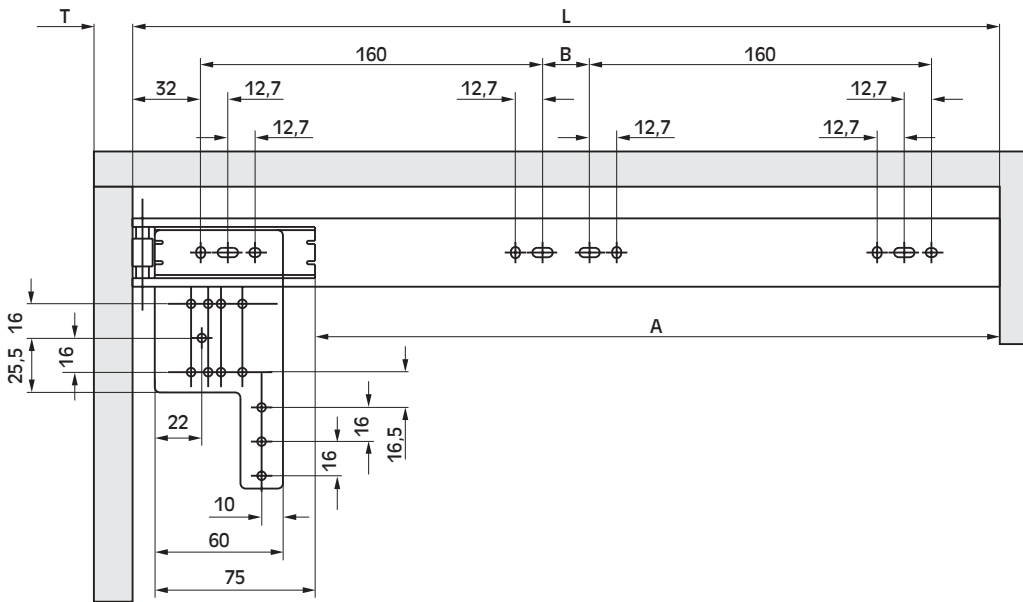
PDF Sliding door system



Technical details

- Fastened to drawer with chipboard screws
- They allow doors to slide in the cabinet
- Sliding on steel ball bearings

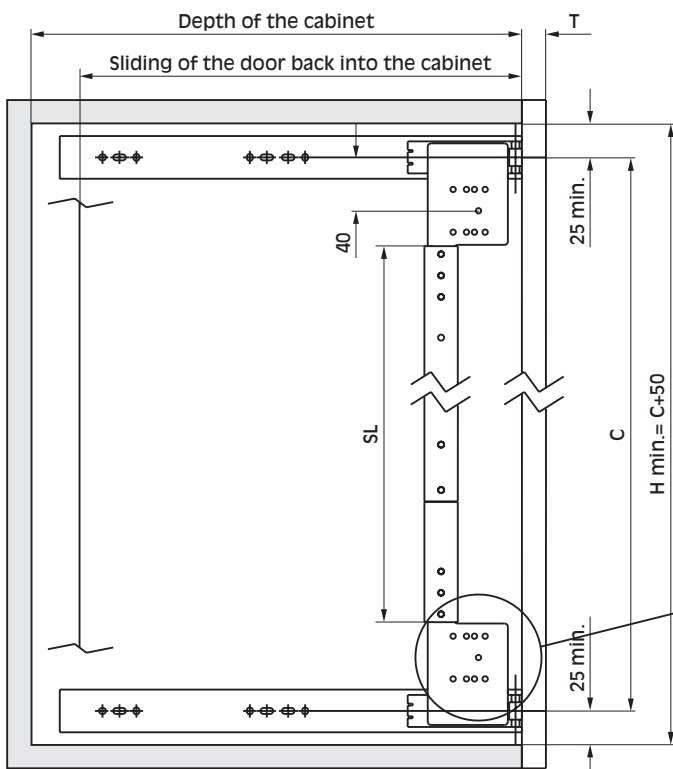
Mounting hole position



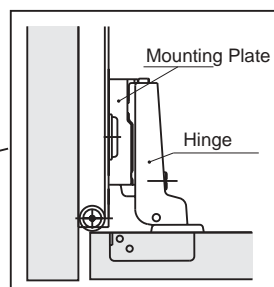
KIT details:

- 1 Higher drawer runner
- 1 Lower drawer runner
- 2 Connectores verticales
- 2 Eccentrics
- 4 Countersunk screws 4 MA for mounting plates
- 6 Flat screws 4 MA for bars
- 8 Self-tapping screws 4x15
- Assembling instructions

Runner Length L = mm	Travel A (mm)	B (mm)
400	316	16
450	366	64
500	416	128
550	466	160
600	516	224



Hights of the cabinet C (mm)	SL (mm)
588.5	455.5
620.5	487.5
652.5	519.5
684.5	551.5
716.5	583.5
748.5	615.5
780.5	647.5
812.5	679.5



FGV hinges suggested:
51MS150508000 - 520201M502100

Product codes

Runner PDF
Length
54.5PDF.0_400.00
54.5PDF.0_450.00
54.5PDF.0_500.00
54.5PDF.0_550.00
54.5PDF.0_600.00

7 = Zincate
3 = Black

Packaging: 10 KIT per box

Assembly machines for R82 runners

Technical details

This machine permits mounting the steel slides on the drawers sides, wooden made or similar. The slides can be also mounted on the already assembled drawer sides. No screwing is required by the operator: the slide is fixed by means of pneumatic power, pedal controlled. A practical system of mechanical locating stops permits a rapid and accurate mounting. The machine is equipped with safety devices. Two version are available : one head (type MAC 2) and two heads (type FAST). On request, both versions can be equipped with a cabinet base.

FAST



Pneumatic pliers

Pneumatic pliers allowing assembly of the steel slides on to the drawers sides, wooden made or similar. By simply pressing a push-button, you can get the tab folded and fastened to the drawers. The ergonomic position of the push-button and the possibility to hang up the pliers by means of an elastic cable, permit quick and easy operation.

MAGO



551 - 600

651 - 681

751 - 781

851 - 881

MAC3 - MAC1

Metal Drawers

FGV

FORMENTI &
GIOVENZANA

Once you have tried Formenti & Giovenzana's metal drawers, you won't want to look anywhere else.

Our manufacturing techniques provide the best performance.

Silent and resistant to 40 Kg load capacity, these drawers are constantly tested to make sure they meet our design criteria.



*Special attention has
been paid to
simplification and to
reduced assembly
time.*

Non-toxic, high density epoxy-powder treatment guarantees extraordinarily smooth and silent operation.

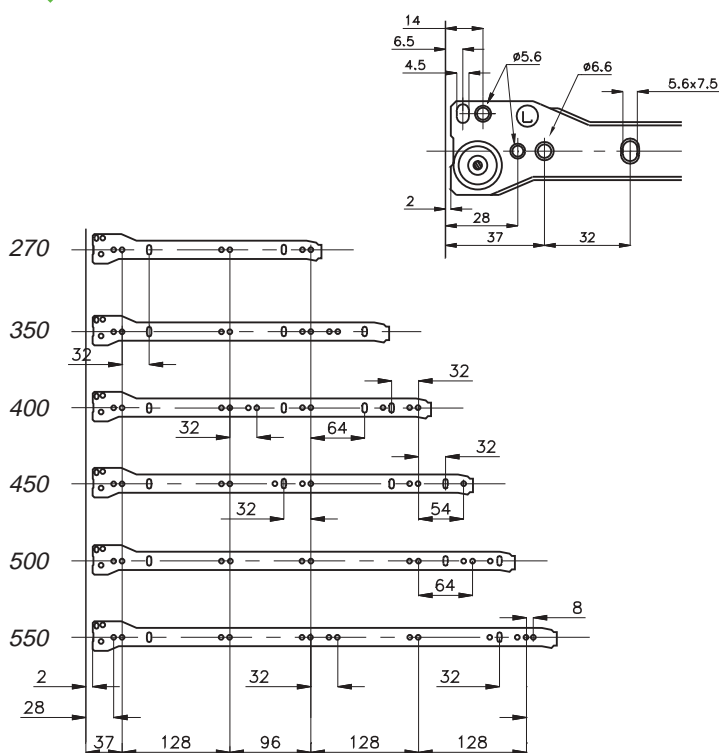
551 Metal drawer H 53 mm

Technical details

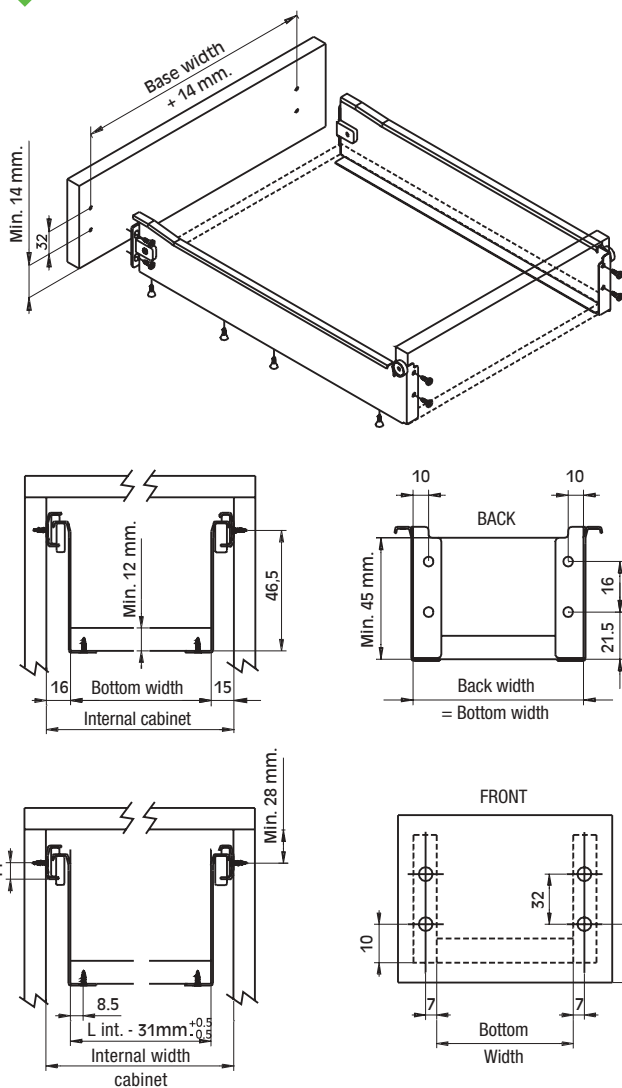
- Self-closing system
- Anti-noise epoxy-powder treatment
- Front vertical adjustment ± 1.5 mm
- Int. front bracket 32 mm
- Fastened to drawer with:
 - chipboard screws
 - Euro screws
 - pre-mounted 10 mm dowels
 - pre-mounted 8 mm dowels



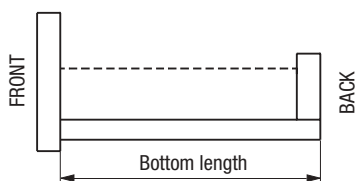
Fixing holes positions and drilling pattern



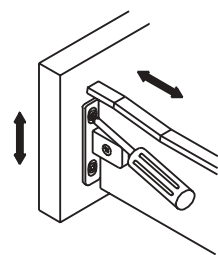
Front and back drilling pattern



Base length and adjustments



Nominal Length	Base Length
270 mm	268 mm
350 mm	348 mm
400 mm	398 mm
450 mm	448 mm
500 mm	498 mm
550 mm	548 mm



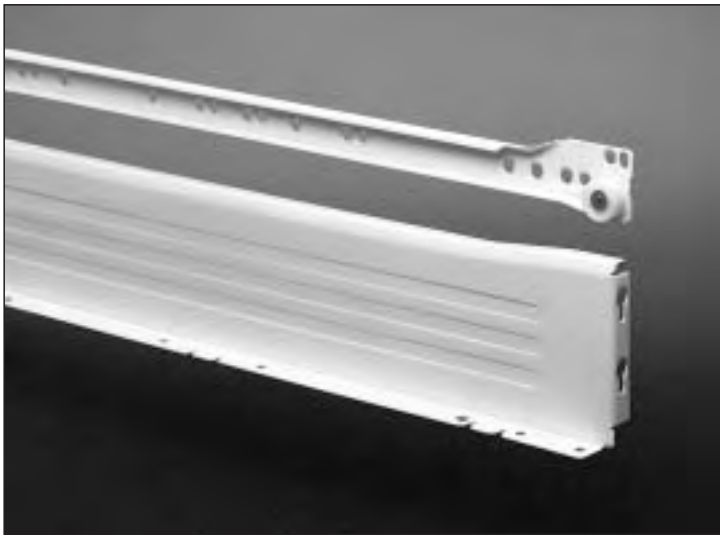
Drawer 510 codes

Screw fixing	Dowel fixing
Length	Length
58.0551.0*.270.00	58.0561.0*.270.00
58.0551.0*.350.00	58.0561.0*.350.00
58.0551.0*.400.00	58.0561.0*.400.00
58.0551.0*.450.00	58.0561.0*.450.00
58.0551.0*.500.00	58.0561.0*.500.00
58.0551.0*.550.00	58.0561.0*.550.00

* = Available colours:
 1 =White Ral 9010
 6 =Grey Ral 7004
 8 =Silver Ral 9006

Pair packaging, 10 per box

Available also with unassembled brackets

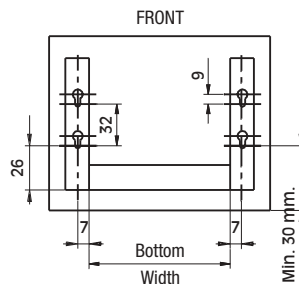
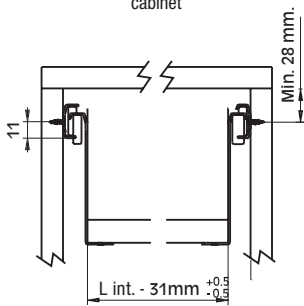
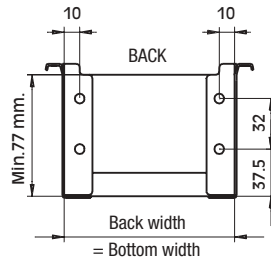
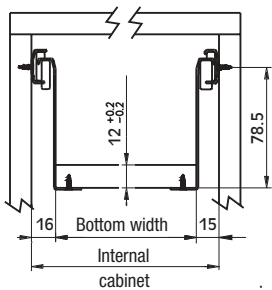
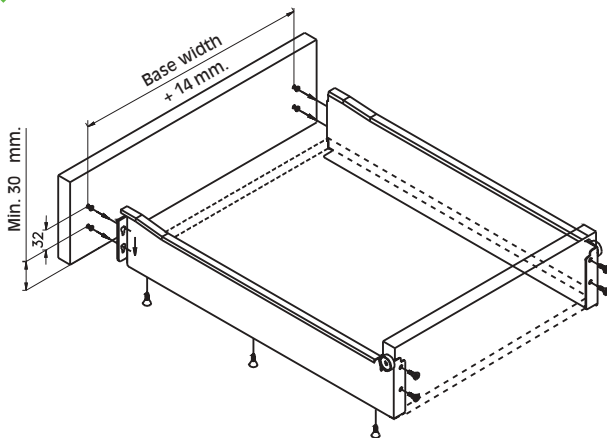


600 Key-hole attachment, metal drawer H 85 mm

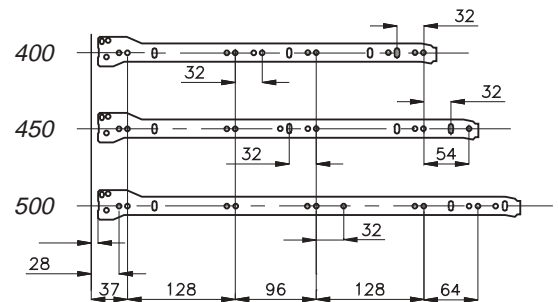
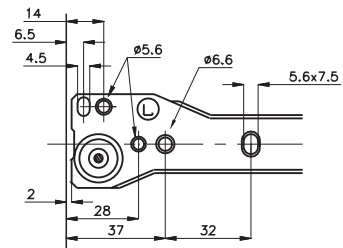
Technical details

- Self-closing system
- Anti-noise epoxy-powder treatment
- Front vertical adjustment ± 2 mm
- Int. front bracket 32 mm
- Fastened to drawer with:
 - chipboard screws
 - Euro screws
 - pre-mounted 10 mm dowels
 - pre-mounted 8 mm dowels

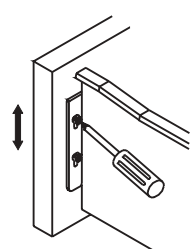
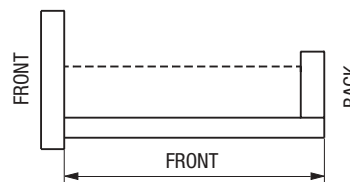
Front and back drilling pattern



Fixing holes positions and drilling pattern



Base length and adjustments



Drawer 600 codes

Screw fixing

Length

- 58.0600.0* .400.00
- 58.0600.0* .450.00
- 58.0600.0* .500.00

* = Available colours:

- 1 =White Ral 9010
- 6 =Grey Ral 7004
- 8 =Silver Ral 9006

Pair packaging,
10 per box

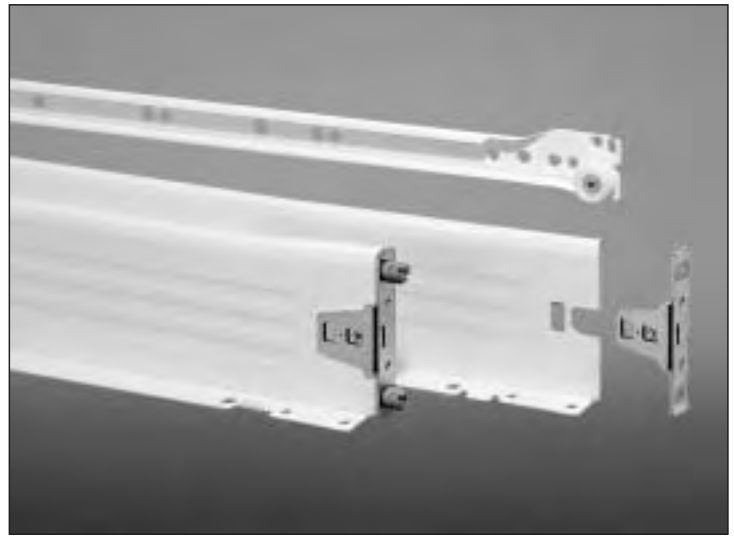
Nominal Length	Base Length
400 mm	398 mm
450 mm	448 mm
500 mm	498 mm

Accessories for these drawer ranges are illustrated on page 35+37

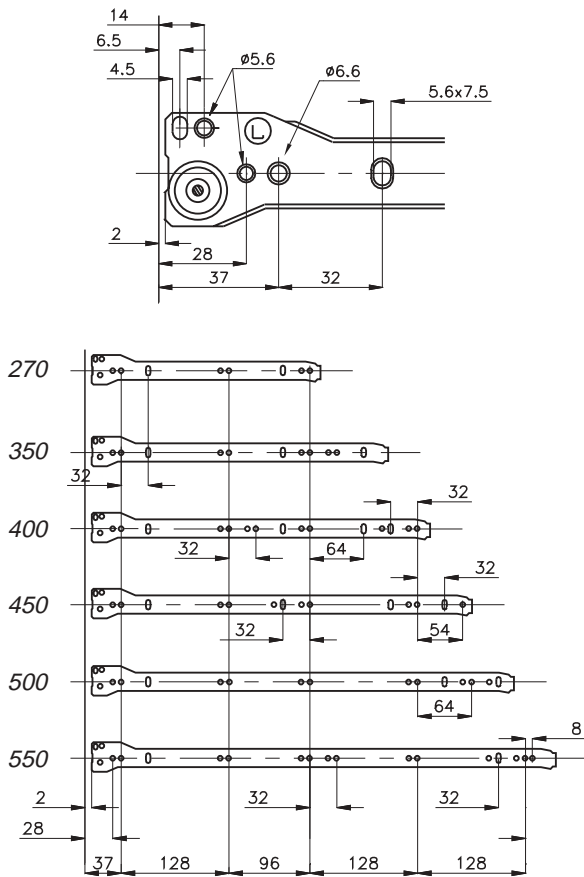
651-681 Metal drawers H 85 mm

Technical details

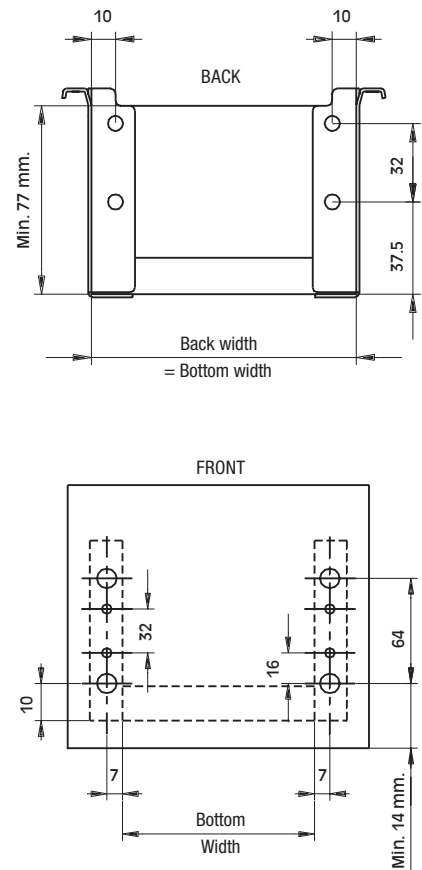
- Self-closing system
- Anti-noise epoxy-powder treatment
- Front vertical adjustment ± 1.5 mm
- Front horizontal adjustment ± 1.5 mm
- Int. front bracket 64 mm
- Fastened to drawer with:
 - chipboard screws
 - Euro screws
 - pre-mounted 10 mm dowels
 - pre-mounted 8 mm dowels



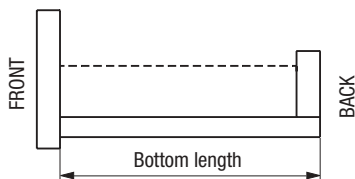
Fixing holes positions and drilling pattern



Front and back drilling pattern

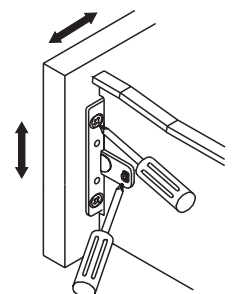
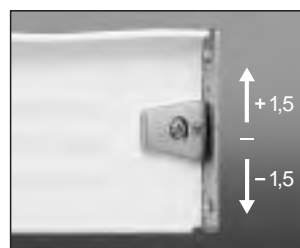


Base length

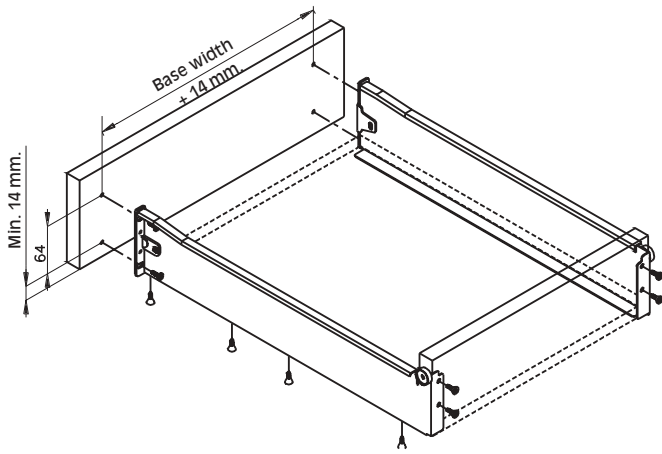


Nominal Length	Base Length
270 mm	268 mm
350 mm	348 mm
400 mm	398 mm
450 mm	448 mm
500 mm	498 mm
550 mm	548 mm

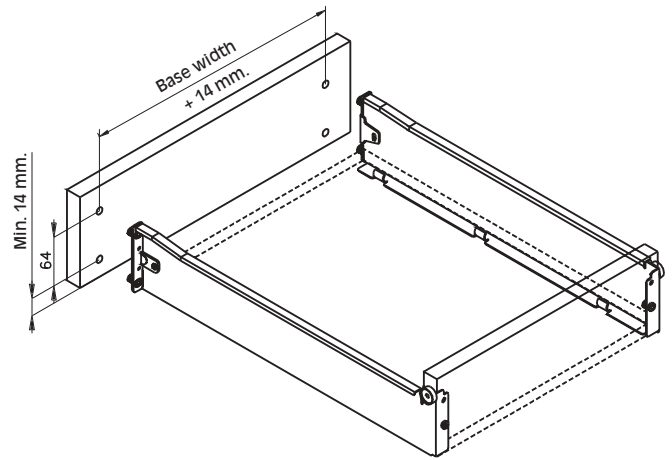
Adjustments



Drawer 651

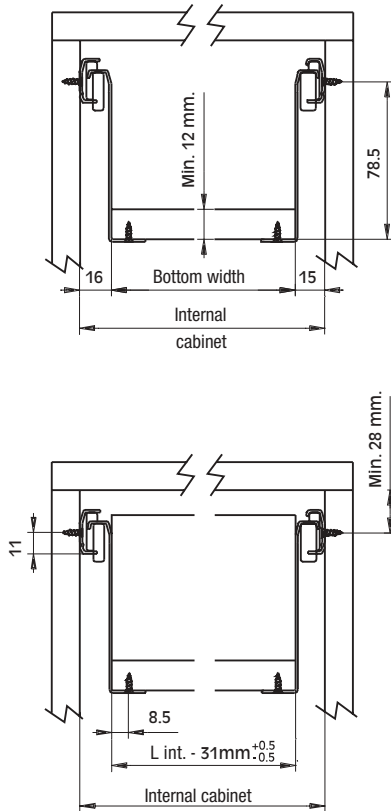


Drawer 681 machine fixing MAC3

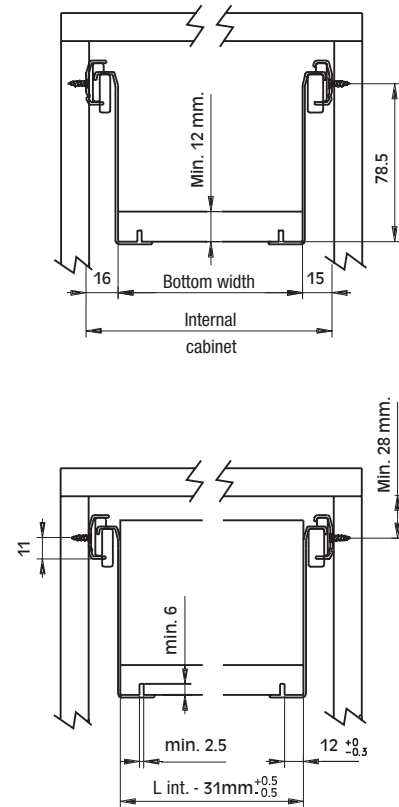


* The machine MAC3 is illustrated in page 34 of this catalogue

Drawer 651 fixing dimensions



Drawer 681 fixing dimensions



Drawer 651 codes

Screw fixing	Dowel fixing
Length	Length
58.065_0*.27G.00	58.066_0*.27G.00
58.065_0*.35G.00	58.066_0*.35G.00
58.065_0*.40G.00	58.066_0*.40G.00
58.065_0*.45G.00	58.066_0*.45G.00
58.065_0*.50G.00	58.066_0*.50G.00
58.065_0*.55G.00	58.066_0*.55G.00

* = Available colours:
 1 = White Ral 9010
 6 = Grey Ral 7004
 8 = Silver Ral 9006

Pair packaging,
 10 per box

Available also with
 unassembled brackets

Drawers 681 codes mounting with machine

Dowel fixing
Length
58.0681.0*.27G.00
58.0681.0*.35G.00
58.0681.0*.40G.00
58.0681.0*.45G.00
58.0681.0*.50G.00
58.0681.0*.55G.00

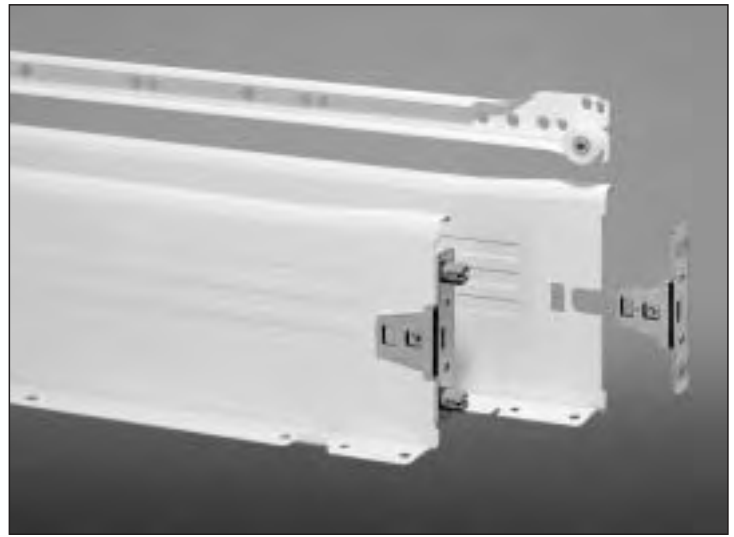
Full extension kit available for drawers 400-450-500 mm. length
 Accessories for these drawer ranges are illustrated on page 35+37

1 = With bracket premounted
 0 = Without bracket premounted

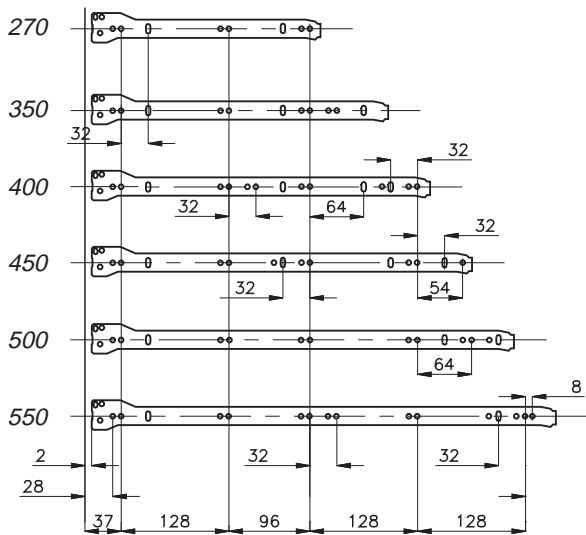
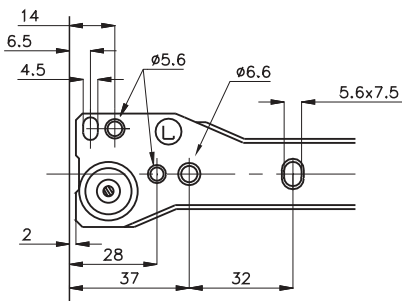
751-781 Metal drawers H 117 mm

Technical details

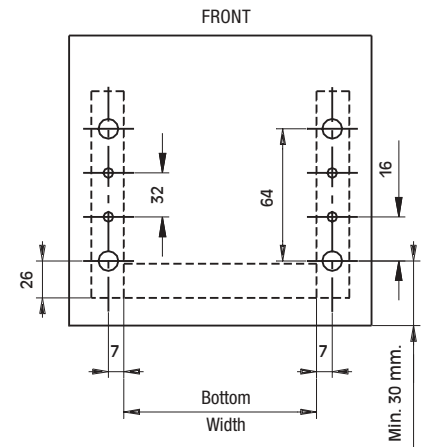
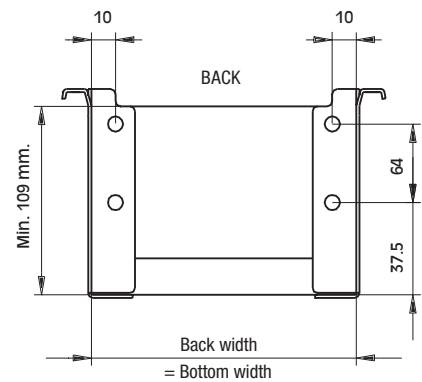
- Self-closing system
- Anti-noise epoxy-powder treatment
- Front vertical adjustment ± 1.5 mm
- Front horizontal adjustment ± 1.5 mm
- Int. front bracket 64 mm
- Fastened to drawer with:
 - chipboard screws
 - Euro screws
 - pre-mounted 10 mm dowels
 - pre-mounted 8 mm dowels



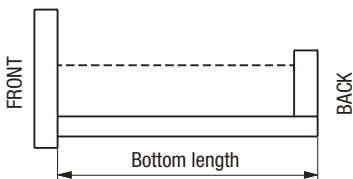
Fixing holes positions and drilling pattern



Front and back drilling pattern

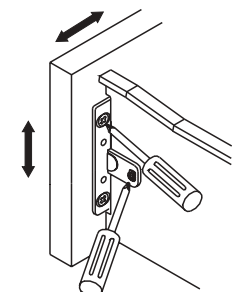
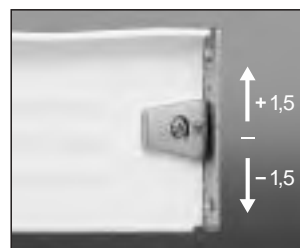


Base length

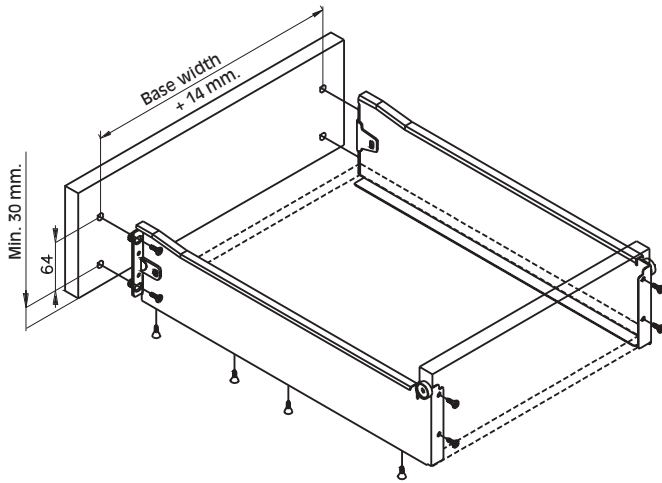


Nominal Length	Base Length
270 mm	268 mm
350 mm	348 mm
400 mm	398 mm
450 mm	448 mm
500 mm	498 mm
550 mm	548 mm

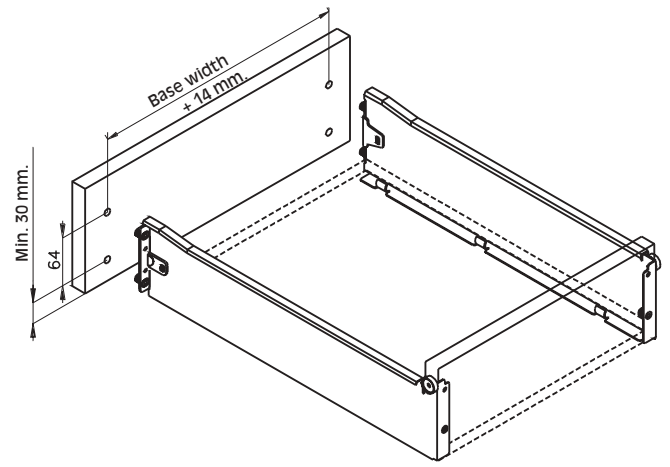
Adjustments



Drawer 751

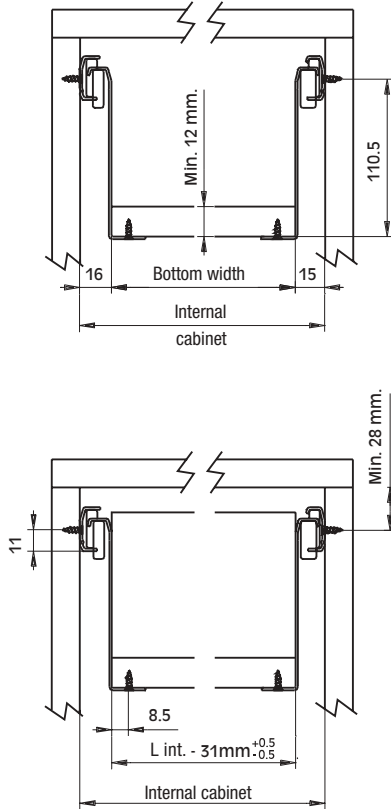


Drawer 781 machine fixing MAC3

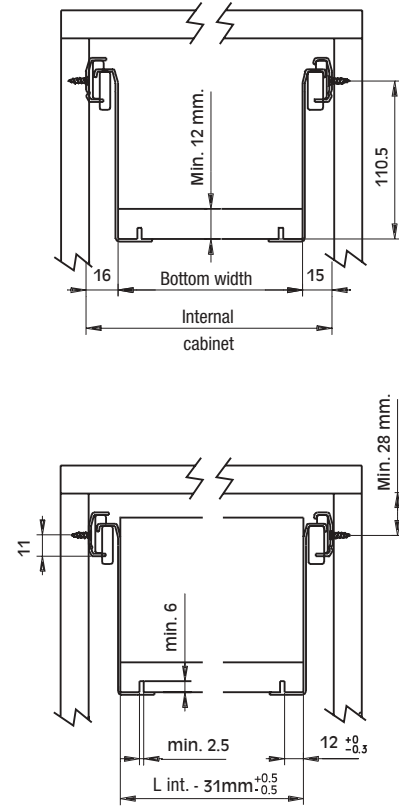


* The machine MAC3 is illustrated in page 34 of this catalogue

Drawer 751 fixing dimensions



Drawer 781 fixing dimensions



Drawers 751 codes

Screw fixing	Dowel fixing
Length	Length
58.075_0*.27G.00	58.076_0*.27G.00
58.075_0*.35G.00	58.076_0*.35G.00
58.075_0*.40G.00	58.076_0*.40G.00
58.075_0*.45G.00	58.076_0*.45G.00
58.075_0*.50G.00	58.076_0*.50G.00
58.075_0*.55G.00	58.076_0*.55G.00

* = Available colours:
 1 = White Ral 9010
 6 = Grey Ral 7004
 8 = Silver Ral 9006

Pair packaging,
 10 per box

Available also with
 unassembled brackets

1 = With bracket premounted
 0 = Without bracket premounted

Drawers 781 codes mounting with machine

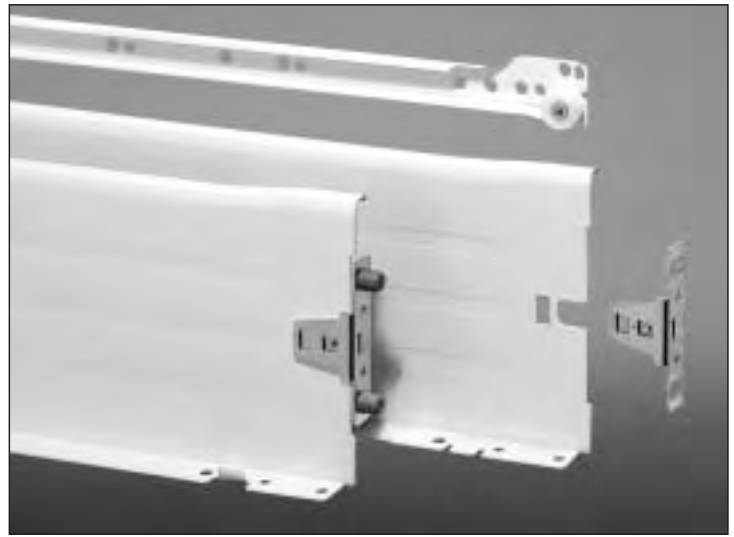
Dowel fixing
Length
58.0781.0*.27G.00
58.0781.0*.35G.00
58.0781.0*.40G.00
58.0781.0*.45G.00
58.0781.0*.50G.00
58.0781.0*.55G.00

Full extension kit available for drawers 400-450-500 mm. length
 Accessories for these drawer ranges are illustrated on page 35+31

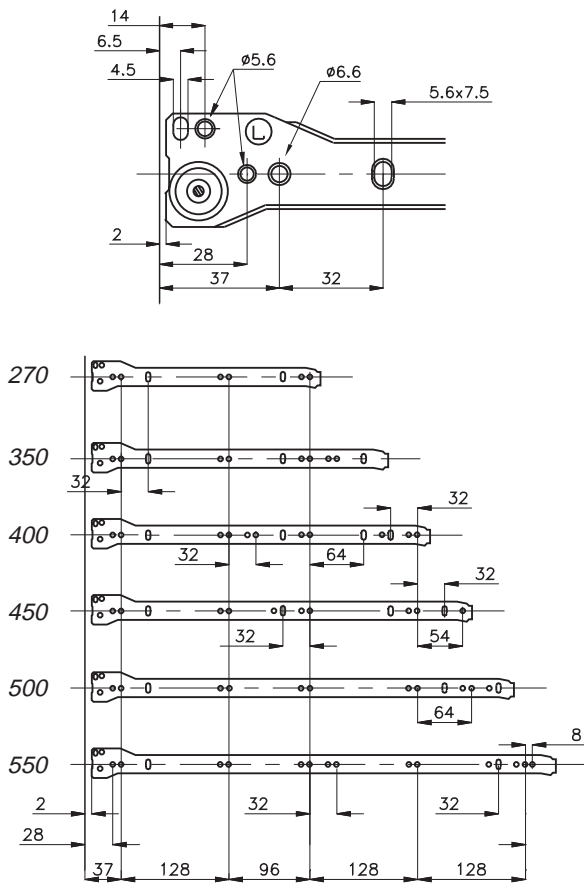
851-881 Metal drawers H 150 mm

Technical details

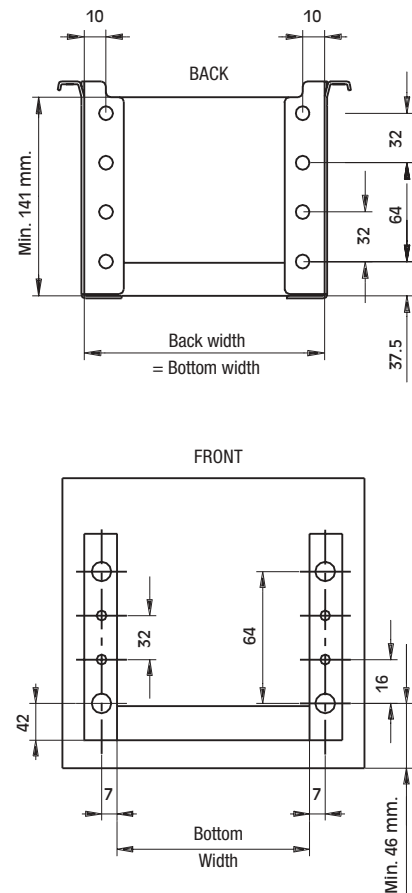
- Self-closing system
- Anti-noise epoxy-powder treatment
- Front vertical adjustment ± 1.5 mm
- Front horizontal adjustment ± 1.5 mm
- Int. front bracket 64 mm
- Fastened to drawer with:
 - chipboard screws
 - Euro screws
 - pre-mounted 10 mm dowels
 - pre-mounted 8 mm dowels



Fixing holes positions and drilling pattern



Front and back drilling pattern

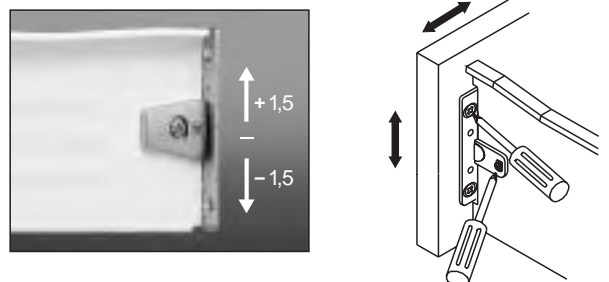


Base length

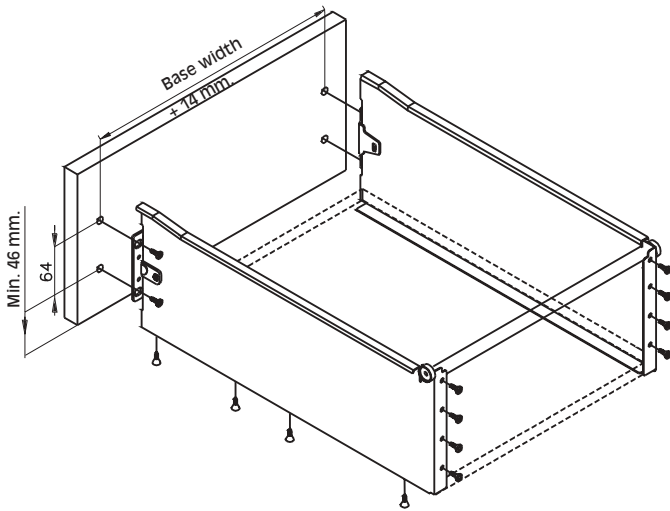
	Nominal Length	Base Length
FRONT	270 mm	268 mm
	350 mm	348 mm
	400 mm	398 mm
	450 mm	448 mm
	500 mm	498 mm
BACK	550 mm	548 mm

Bottom length

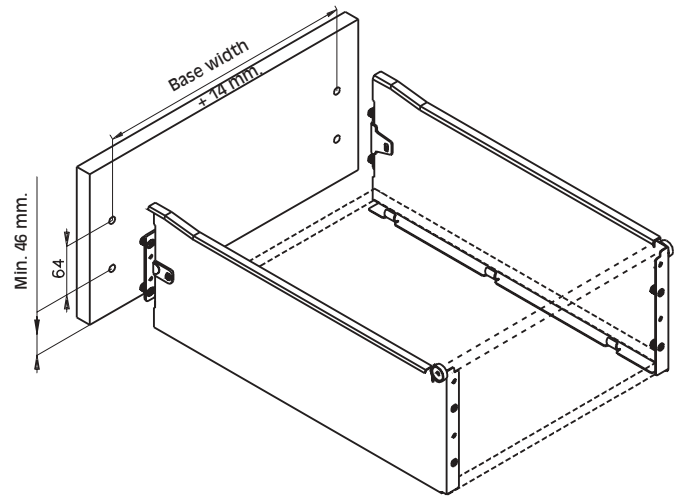
Adjustments



Drawer 851

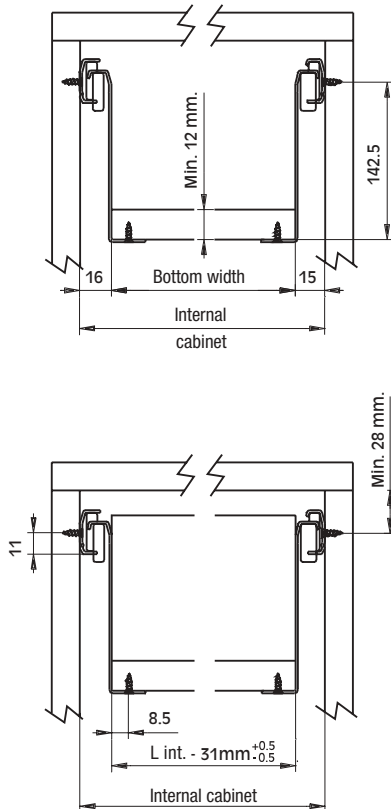


Drawer 881 machine fixing MAC3

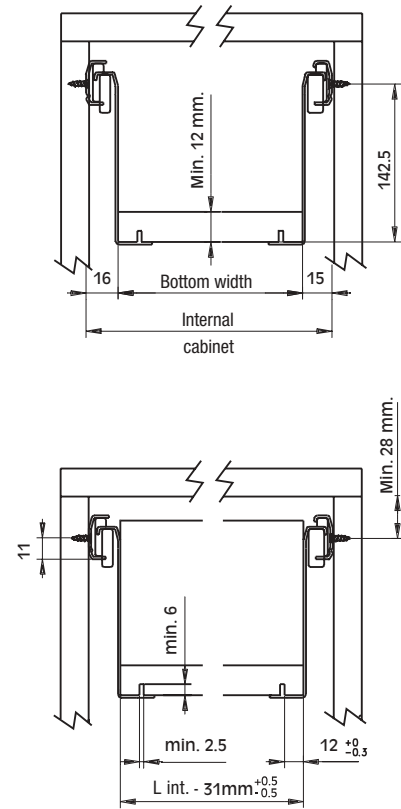


* The machine MAC3 is illustrated in page 34 of this catalogue

Drawer 851 fixing dimensions



Drawer 881 fixing dimensions



Drawers 851 codes

Screw fixing	Dowel fixing
Length	Length
58.085_0*.27G.00	58.086_0*.27G.00
58.085_0*.35G.00	58.086_0*.35G.00
58.085_0*.40G.00	58.086_0*.40G.00
58.085_0*.45G.00	58.086_0*.45G.00
58.085_0*.50G.00	58.086_0*.50G.00
58.085_0*.55G.00	58.086_0*.55G.00

* = Available colours:
 1 = White Ral 9010
 6 = Grey Ral 7004
 8 = Silver Ral 9006

Pair packaging,
 10 per box

Available also with
 unassembled brackets

1 = With bracket premounted
 0 = Without bracket premounted

Drawers 881 codes mounting with machine

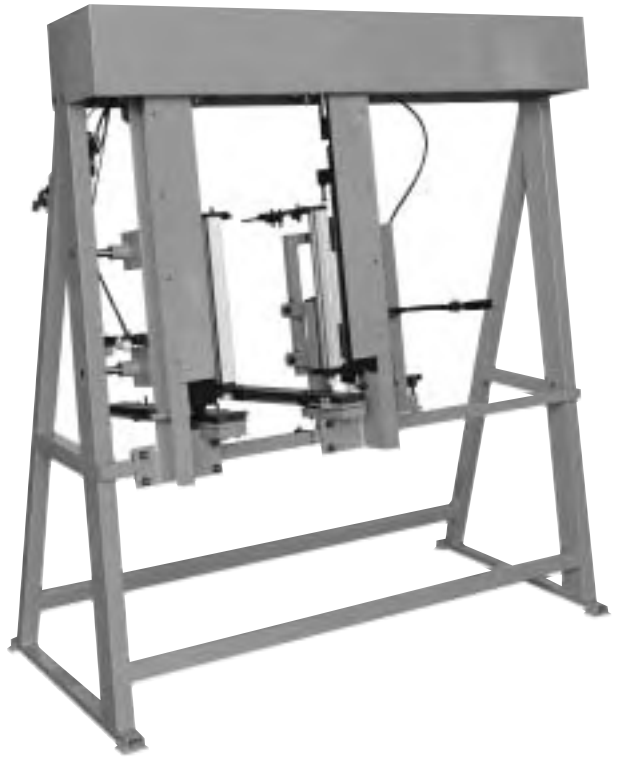
Dowel fixing
Length
58.0881.0*.27G.00
58.0881.0*.35G.00
58.0881.0*.40G.00
58.0881.0*.45G.00
58.0881.0*.50G.00
58.0881.0*.55G.00

Full extension kit available for drawers 400-450-500 mm. length
 Accessories for these drawer ranges are illustrated on page 35+37

Drawer assembly machines

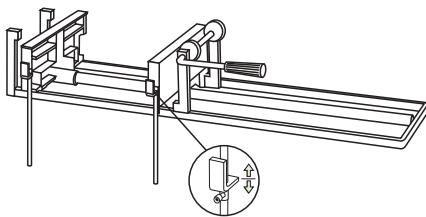
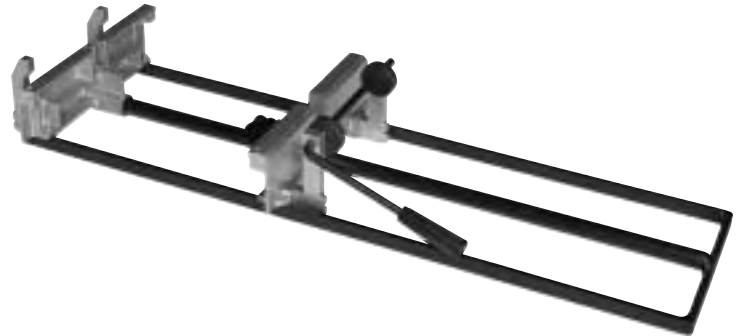
MAC 3

A simple to use press to mount drawers 681 - 781 - 881 with steel sides. Thanks to a practical system of locating stops, you can position in the machine the drawer components: the two sides, the front panel, the rear panel and the bottom; then by a simple operator's control, the machine executes the mounting by means of pressure bars controlled by pneumatic cylinders. In a few seconds, you have a finished drawer, assembled with constant accuracy.

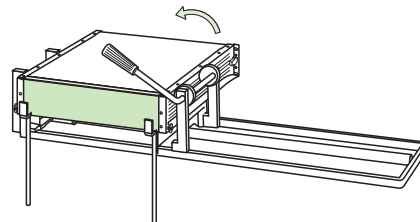


MAC 1

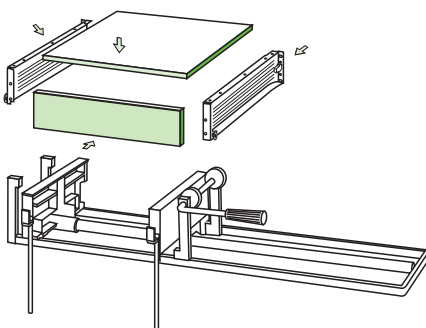
It's the basic device for mounting drawers 551-600-651 751-851 with steel sides.



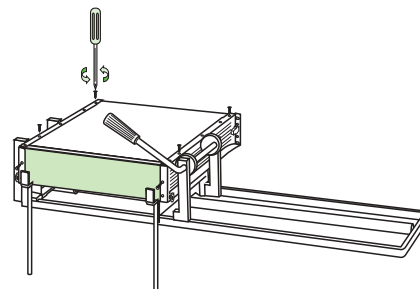
1
Set positioning clamps according to height of rear panel.



3
Turn hand-lever to clamp all components.



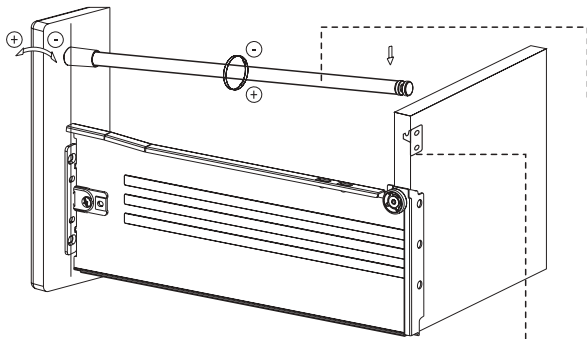
2
Set bottom and rear panels and metal sides position.



4
Screwdrive metal sides on bottom and rear panels.

Runner and Drawer Accessories

Railing with square rail for drawers



Lateral railing



Connector for wooden back side

Cod. 5803AP0500000

Lateral railing with screw connector

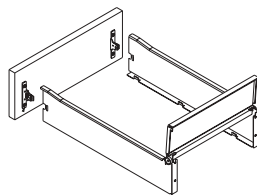
Drawer length	Code number
270	580TLB0_27000
350	580TLB0_35000
400	580TLB0_40000
450	580TLB0_45000
500	580TLB0_50000
550	580TLB0_55000

Lateral railing with zamak hook connector

Drawer length	Code number
270	580TLA0_27000
350	580TLA0_35000
400	580TLA0_40000
450	580TLA0_45000
500	580TLA0_50000
550	580TLA0_55000

Available colours:
 1 =White Ral 9010
 6 =Grey Ral 7004
 8 =Silver Ral 9006

Metal back side for Uniset drawer *



The plastic connectors are included in the packaging.

Low metal back side

Cabinet base	Side cabinet thickness	Metal back side code
300	18	580KF_0_23200
	16	580KF_0_23600
	15	580KF_0_23800
400	18	580KF_0_33200
	16	580KF_0_33600
	15	580KF_0_33800
450	18	580KF_0_38200
	16	580KF_0_38600
	15	580KF_0_38800
500	18	580KF_0_43200
	16	580KF_0_43600
	15	580KF_0_43800
600	18	580KF_0_53200
	16	580KF_0_53600
	15	580KF_0_53800
800	18	580KF_0_73200
	16	580KF_0_73600
	15	580KF_0_73800
900	18	580KF_0_83200
	16	580KF_0_83600
	15	580KF_0_83800

Available colours:
 1 =White Ral 9010
 6 =Grey Ral 7004
 8 =Silver Ral 9006

High metal back side

Cabinet base	Side cabinet thickness	Metal back side code
300	18	58AKF_0_23200
	16	58AKF_0_23600
	15	58AKF_0_23800
400	18	58AKF_0_33200
	16	58AKF_0_33600
	15	58AKF_0_33800
450	18	58AKF_0_38200
	16	58AKF_0_38600
	15	58AKF_0_38800
500	18	58AKF_0_43200
	16	58AKF_0_43600
	15	58AKF_0_43800
600	18	58AKF_0_53200
	16	58AKF_0_53600
	15	58AKF_0_53800
800	18	58AKF_0_73200
	16	58AKF_0_73600
	15	58AKF_0_73800
900	18	58AKF_0_83200
	16	58AKF_0_83600
	15	58AKF_0_83800

Available colours:
 1 =White Ral 9010
 6 =Grey Ral 7004
 8 =Silver Ral 9006

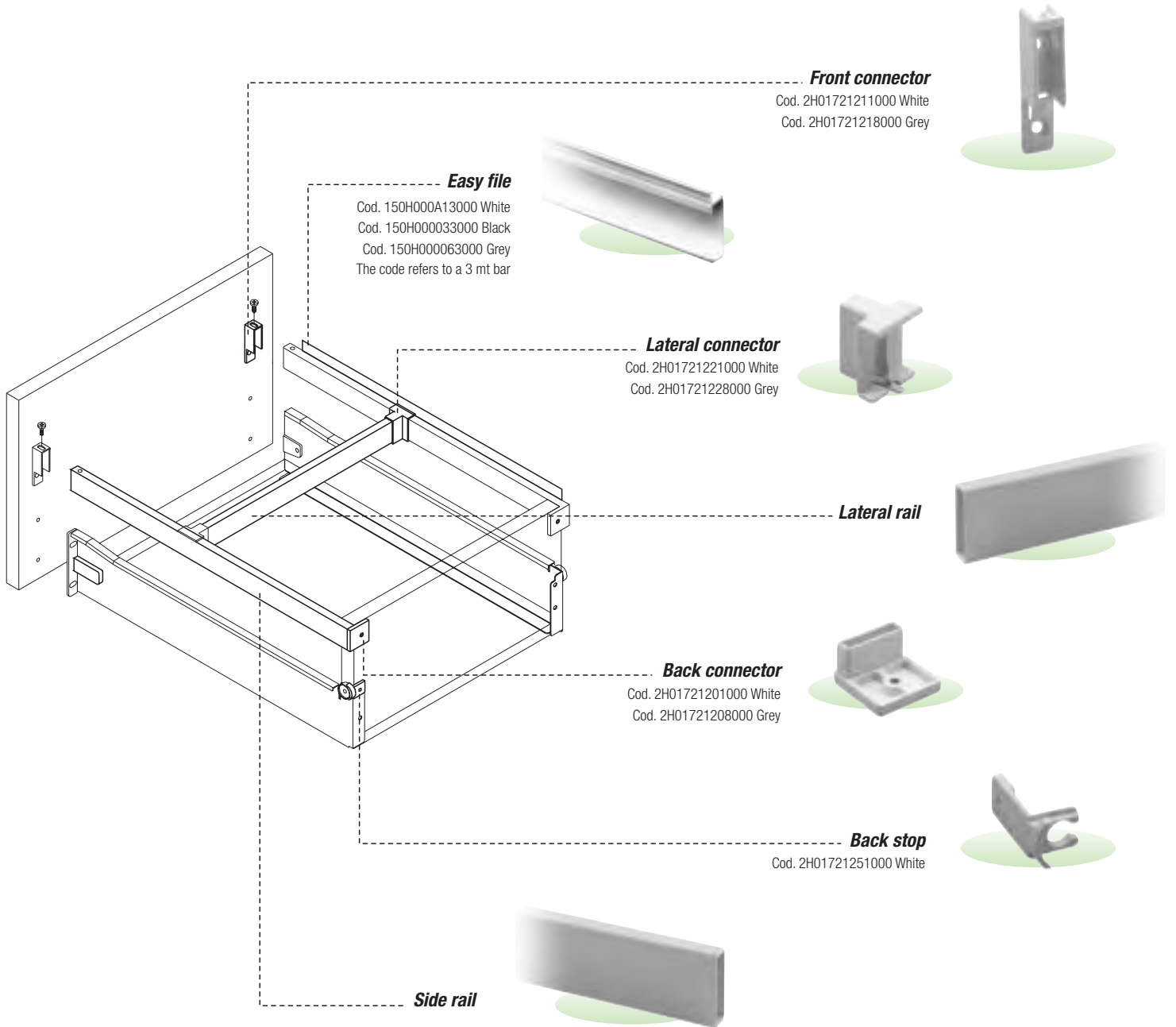
* For 16 mm bottom

6 =For drawer H 85 mm
 7 =For drawer H 117 mm

6 =For drawer H 85 mm
 7 =For drawer H 117 mm

Runner and Drawer Accessories

Height extension system for drawers



Side rail for drawers = mm	Rail length	Code number
270	265	340TL00_26600
350	345	340TL00_34600
400	395	340TL00_39600
450	445	340TL00_44600
500	495	340TL00_49600
550	545	340TL00_54600

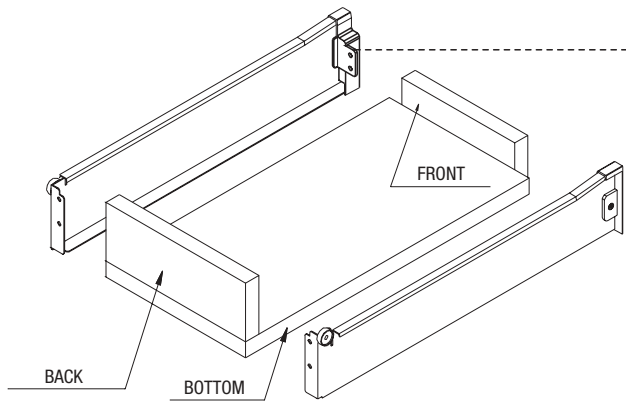
Available colours:
1 =White Ral 9010
6 =Grey Ral 7004
8 =Silver Ral 9006

Lateral rail for cabinet = mm	Rail length	Code number
300	229	340TT00_23100
450	379	340TT00_38100
600	529	340TT00_53100
900	829	340TT00_83100

Available colours:
1 =White Ral 9010
6 =Grey Ral 7004
8 =Silver Ral 9006

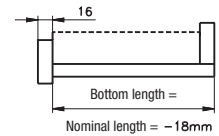
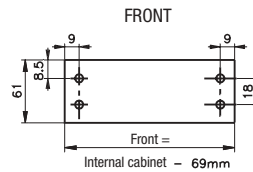
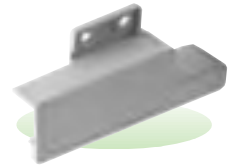
Runner and Drawer Accessories

Bracket for flush fitting drawer front

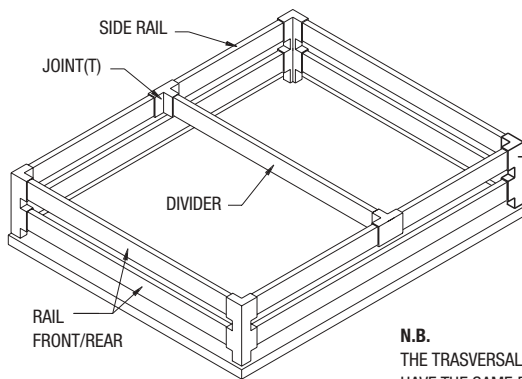


Bracket

Cod. 5802000100L00
Cod. 5802000100R00

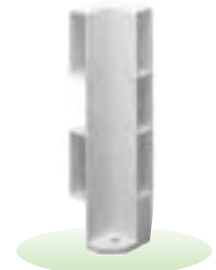


Double railing for pull-out base



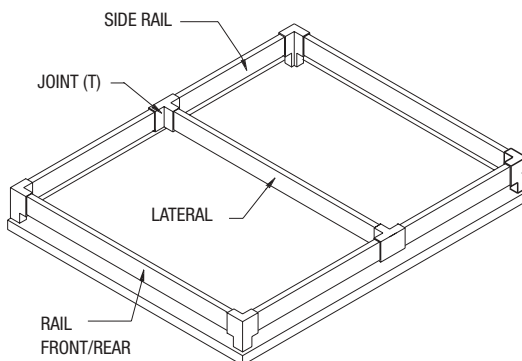
Double angle

Cod. 2H01721271000 White
Cod. 2H01721278000 Grey



N.B.
THE TRASVERSAL RAIL AND THE DIVIDING RAIL
HAVE THE SAME DIMENSIONS

Single railing for pull-out base

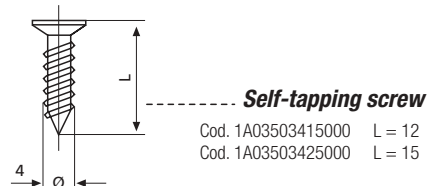
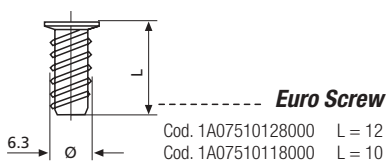


Single angle

Cod. 2H01721261000 White
Cod. 2H01721268000 Grey



Screws





FORMENTI & GIOVENZANA S.p.A.

Via Concordia, 16
20050 Veduggio con Colzano (MI) - ITALY
Tel. +39 0362 947.1 r.a. - Fax +39 0362 998788
<http://www.fgv.it> - info@fgv.it

FGV SLOVAKIA, Spol s r.o.
Partizánska cesta 73, P.O.BOX 87
957 01 Bánovce nad Bebravou - SLOVAKIA
Tel. +421 (0) 38 7626 100
Fax +421 (0) 38 7626 105
info@fgv.sk

FGVTN BRASIL LTDA.
Rua Francisco Derosso, 1352
Curitiba Paraná 81710 000 - BRASIL
Tel. +55 41 2107 4411
Fax +55 41 3275 3038
fgvtn@fgvtnbrasil.com.br
www.fgvtnbrasil.com.br

FGV ASIA Limited
2503A-2505, 113 Argyle Street
Kowloon, Hong Kong - P R CHINA
Tel.+852 2648 7419
Fax +852 2648 7389
info@fgvasia.com
www.fgvasia.com

FGV (Guangzhou) Company Limited
Units 2710-2711, Yang Cheng International Trading Centre
East Tower, Ti Yu Dong Lu, No. 122
Guangzhou - P R CHINA
Tel. +86 20 38870570
Fax +86 20 38870323
info@fgvchina.com
www.fgvchina.com

DEUTSCHE FGV Formenti & Giovenzana Möbelbeschläge GmbH
Industriestr. 44
D-33397 Rietberg - GERMANY
Tel. +49 (0) 5244-9708-0
Fax +49 (0) 5244-9708-15
www.fgvgermany.com

FORMENTI & GIOVENZANA POLSKA Sp. z o.o.
Ul. Bolesławiecka 8a
98-400 Wieruszów - POLAND
Tel. +48 62 58 10 400
Fax +48 62 58 10 480
www.fgvpolska.pl

FGV LIFESTYLES INDIA Pvt. Ltd.
B 104 Abhinav Apartments Shradhanand Road
Vile Parle (East) Mumbai 400057 - INDIA
Tel. +91 2226180007 / 26101534
Fax +91 2226180006
fgvlifestyles@vsnl.net

FGV AMERICA, Inc.
PO Box 691 056
Charlotte, NC 28227-7018
Tel. +1 800 619 5446
Fax +1 800 876 7454
www.fgv.it

FORMENTI & GIOVENZANA IBERICA, S.L.
Santiago Rusiñol 27, local 6
08031 Barcelona - SPAIN
Tel. +34 93 357 48 38
Fax. +34 93 429 89 05
mauricedepedro@fgviberica.e.telefonica.net

CRESTWOOD FITTINGS Ltd.
Crestwood House
St. Martin's Stamford
Lincolnshire PE9 2LG - U.K.
Tel. +44 (0) 1780-753407
Fax +44 (0) 1780-752344
www.crestwood.co.uk

CONTEC - INTERNATIONAL
131, rue de Paris
F - 94220 Charenton-Le-Pont - FRANCE
Tel. +33 (0) 1 56 29 15 15
Fax +33 (0) 1 56 29 15 16
www.contec-international.com