



FORMENTI & GIOVENZANA s.p.a.

SPT: 50082

I.M.:

Dis.: PROIETTI A
Drawer.:

Data: 10.11.08
Date:

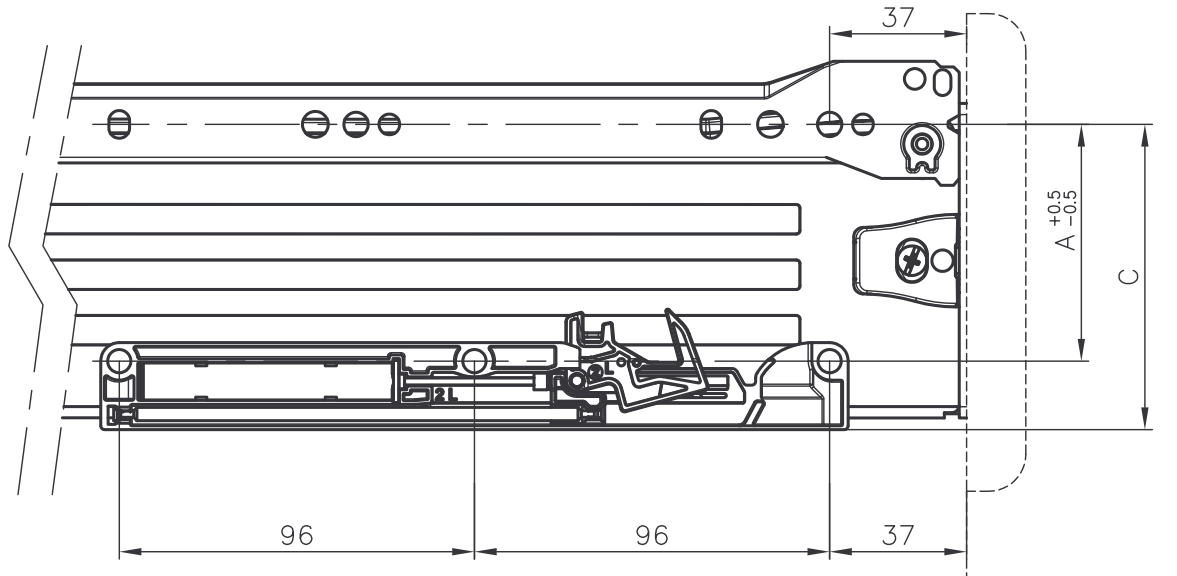
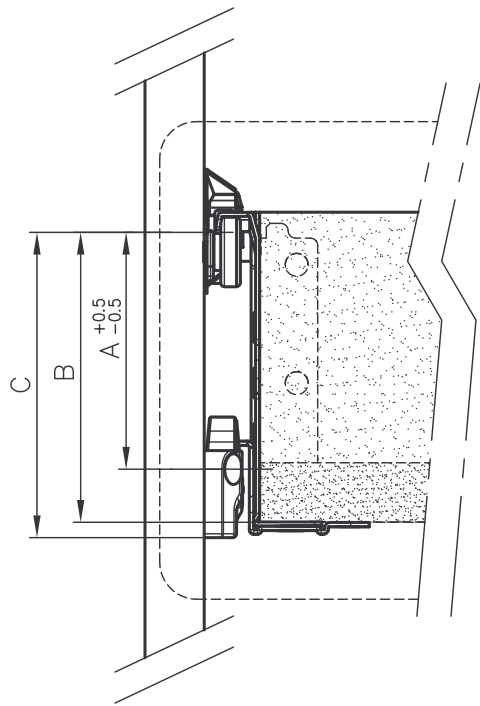
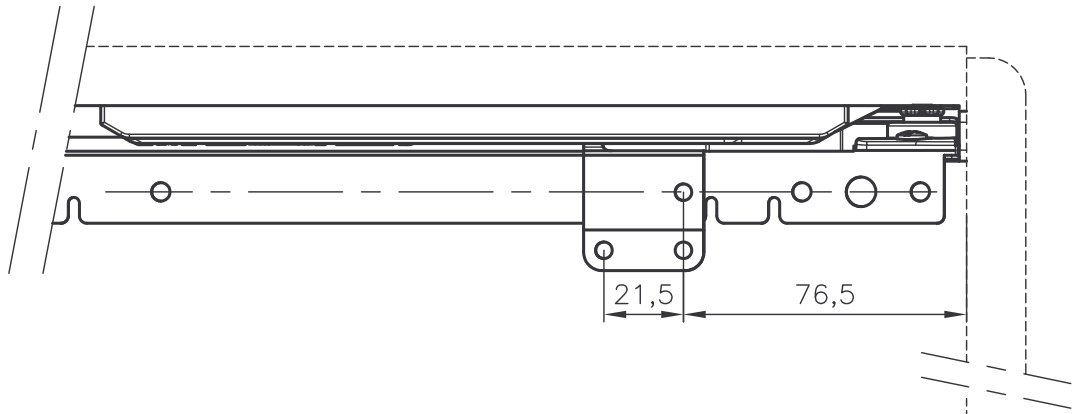
Visto: Check.:

Data: Date:

Denominazione:
Part Name:

Pag: 1/2

Drawer	A	B	C
h53	32	46.5	50.5
h85	64	78.5	82.5
h117	96	110.5	114.5
h149	128	142.5	146.5



FRONT CABINET



FORMENTI & GIOVENZANA s.p.a.

SPT: 50082

I.M.:

Dis.: PROIETTI A
Drawer.:

Data: 10.11.08
Date:

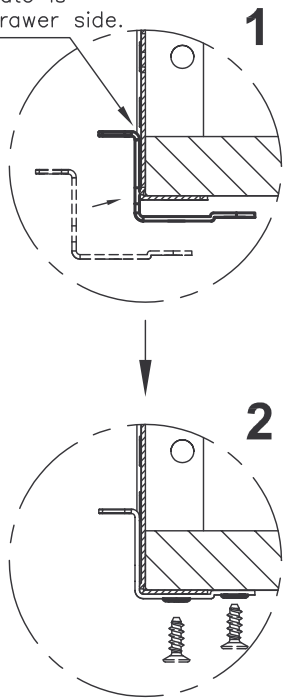
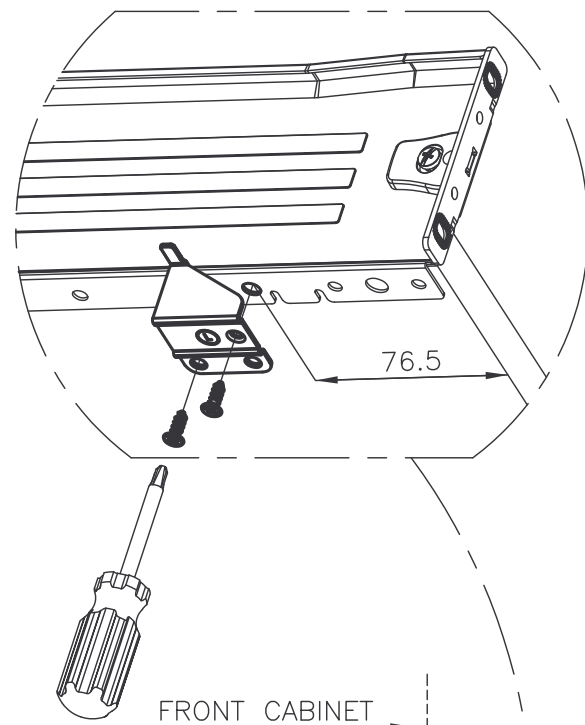
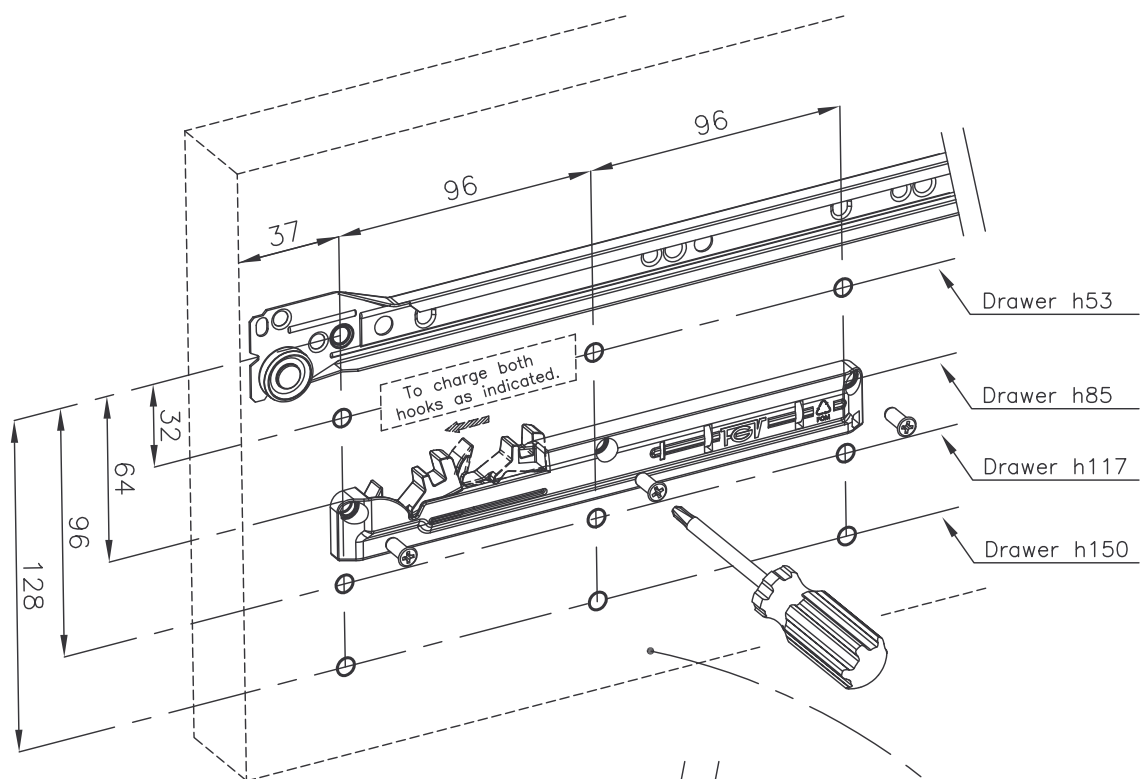
Visto: Check.:

Data: Date:

Denominazione:
Part Name:

Pag: 2/2

NOTE: Be sure that the plate is laying in contact to the drawer side.



FRONT CABINET

