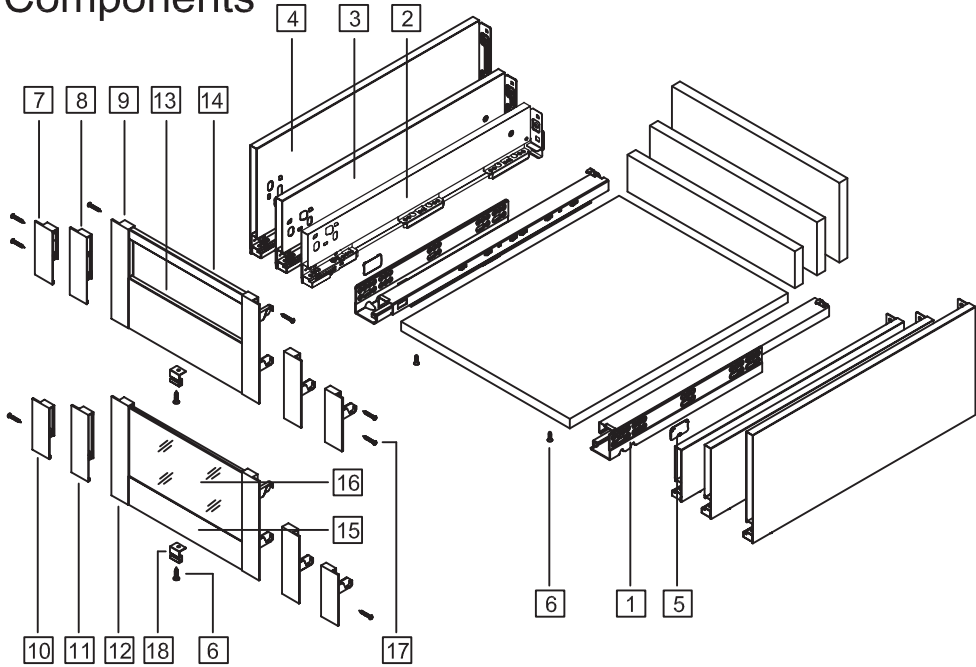


Components



1. Cabinet profiles: L/R	10. 89-2 Front Fixing brackets L/R	Nominal length	Internal drawer length	Min. installation length of drawer
2. 89 Drawer profiles: L/R	11. 121-2 Front Fixing brackets L/R			
3. 121 Drawer profiles: L/R	12. 185-2 Front Fixing brackets L/R			
4. 185 Drawer profiles: L/R	13. 1 Front section			
5. Side cover plate	14. Cross square rail			
6. Bottom & Back screw (Ø3.5x15)	15. 2 Front section	270mm	234mm	275mm
7. 89-1 Front Fixing brackets L/R	16. Glass Front (89/121/185)	300mm	264mm	305mm
8. 121-1 Front Fixing brackets L/R	17. Front section Screw (Ø4x30/Ø4x17)	350mm	314mm	355mm
9. 185-1 Front Fixing brackets L/R	18. Bottom fixed	400mm	364mm	405mm
		450mm	414mm	455mm
		500mm	464mm	505mm
		550mm	514mm	555mm

Drawer Back and Bottom Dimensions

Back

Type	89	121	185
H (mm)	59	91	155

Metal Back L=LW-42

KB ≥ 800mm
Metal back fixed

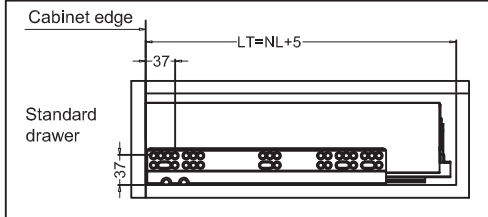
Drawer Bottom L=NL-20

270~400 450~550

KB Cabinet width
LW Internal cabinet width
NL Nominal length

Installation dimensions (mm)

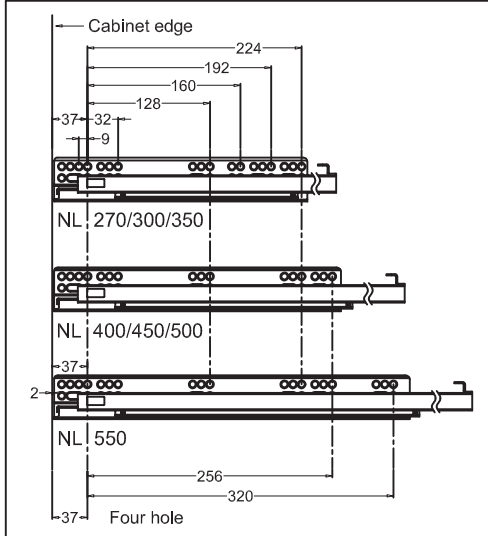
Nominal slide length=NL Internal cabinet depth=LT



Accessories cutting (mm)

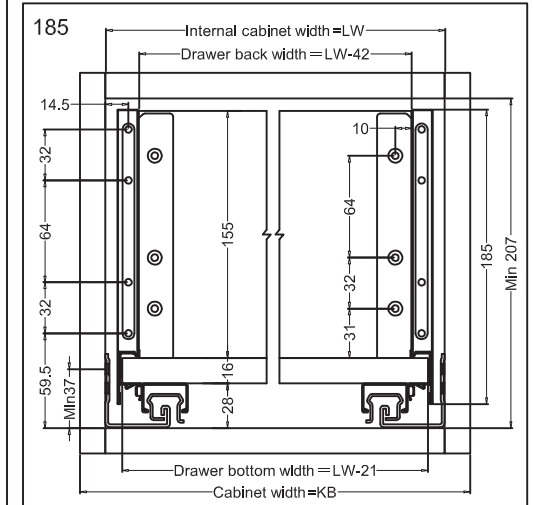
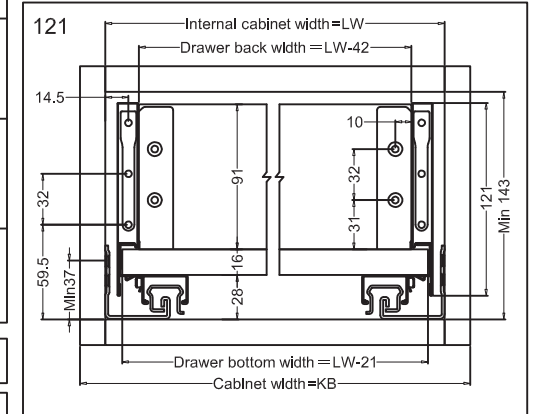
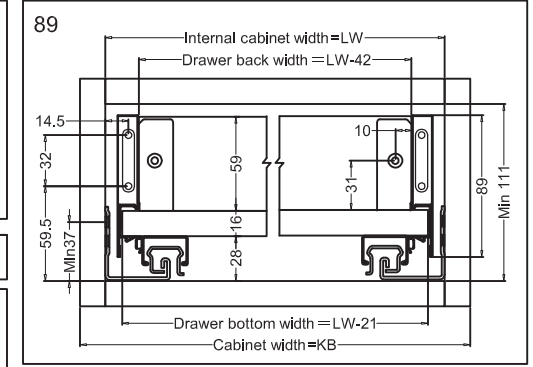
14. 808-1 Front section L=LW-87		KB ≥ 800mm
16. 808-2 Front section L=LW-87		KB ≥ 800mm
17. 808 Glass Front (89/121/185) L=LW-55		
15. Cross square rail L=LW-55		

Screw positions of the sides



Drawer installation dimensions (mm)

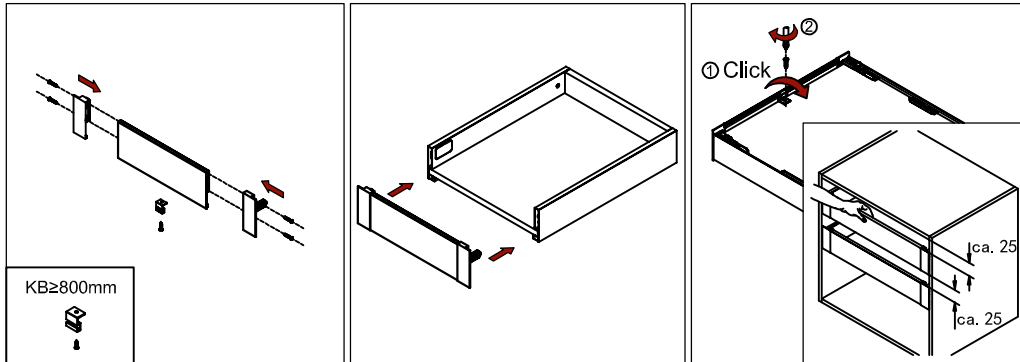
LW=Internal cabinet width



Inner series slender metal drawer
Assembly removal and adjustment



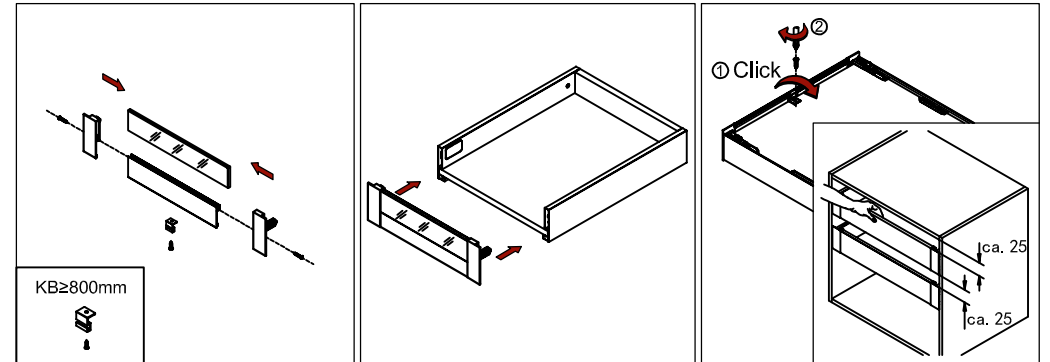
StrongMax - 89 Inner drawer front assembly



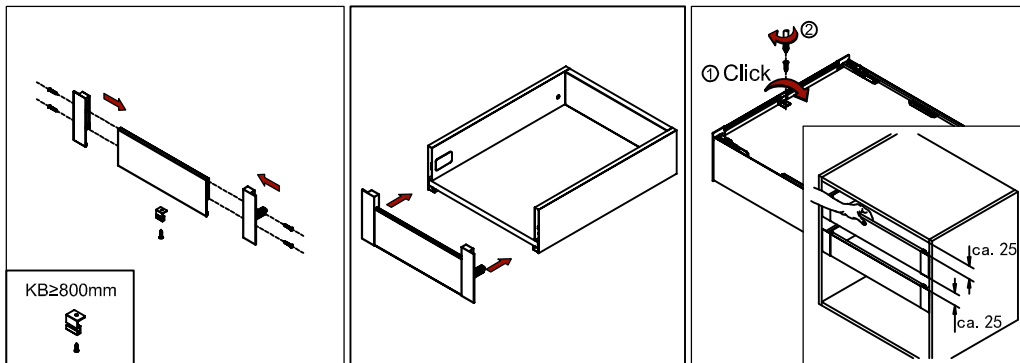
Series slender metal drawer
Assembly removal and adjustment



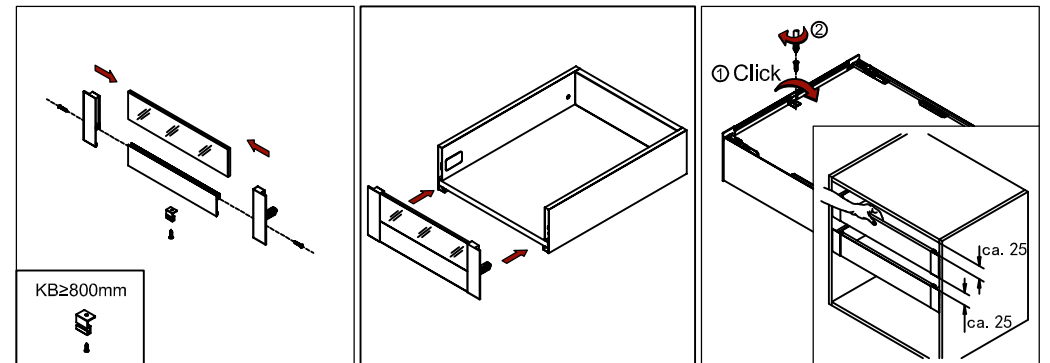
StrongMax - 89 Inner drawer glass front assembly



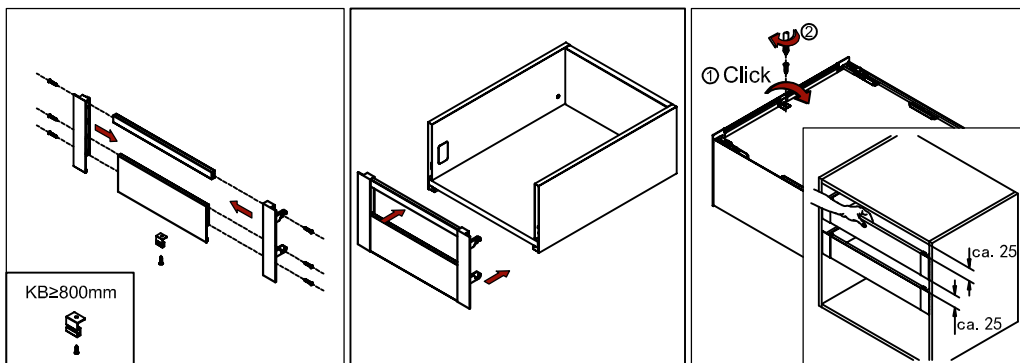
StrongMax - 121 Inner drawer front assembly



StrongMax - 121 Inner drawer glass front assembly



StrongMax - 185 Inner drawer front assembly



StrongMax - 185 Inner drawer glass front assembly

