

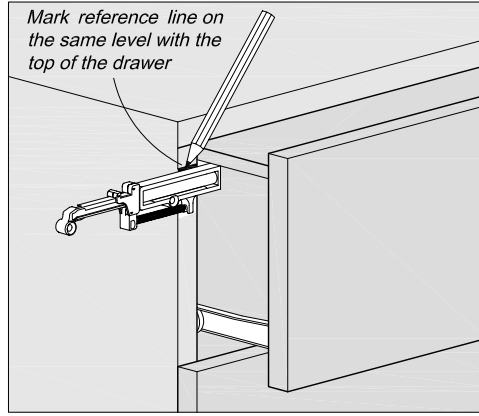


Silent Close #5833

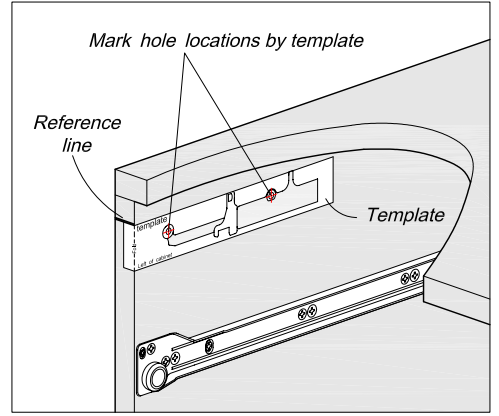
APPLICATIONS:

- For mounting to wooden drawer and cabinet.
- For Euro Slide or Ball Bearing slide (remove rubber hold close device on ball bearing slide).
- Width of gap 10mm to 13.5mm(per side).
- Option for left or right handed fixing.

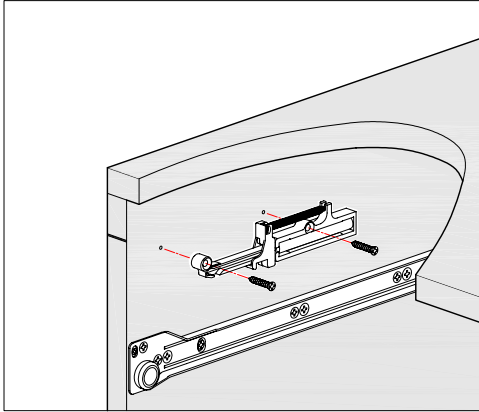
Step 1: Mark reference line



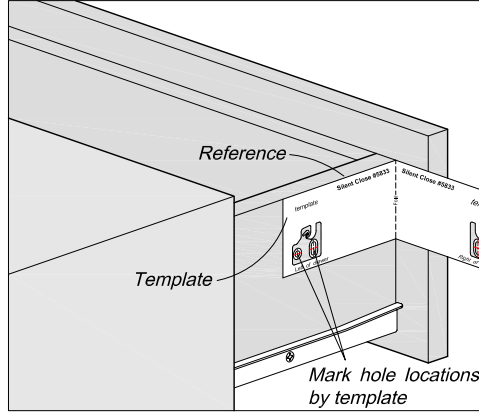
Step 2: Mark hole locations



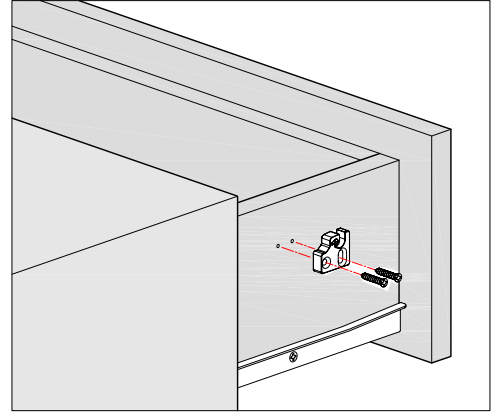
Step 3: Attach the "Body" to cabinet




Step 4: Mark hole locations

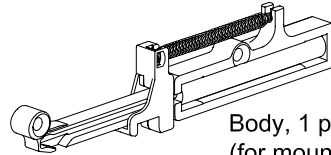


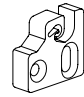
Step 5: Attach the "Follower" to drawer



Including


 Ø4x 18mmL, 4 pieces


 Body, 1 piece
 (for mounting to cabinet)

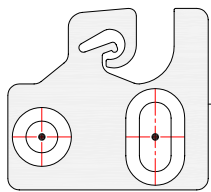

 Follower, 1 piece
 (for mounting to drawer)

template

Silent Close #5833

Silent Close #5833

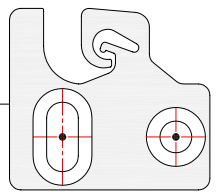
template



1cm 2cm 3cm 4cm 5cm 6cm

Fold

1cm 2cm 3cm 4cm 5cm 6cm



Left of drawer



Right of drawer

Right of cabinet

Fold

template

template

Fold

Left of cabinet

