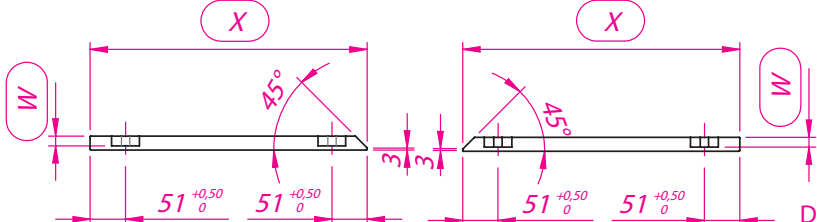
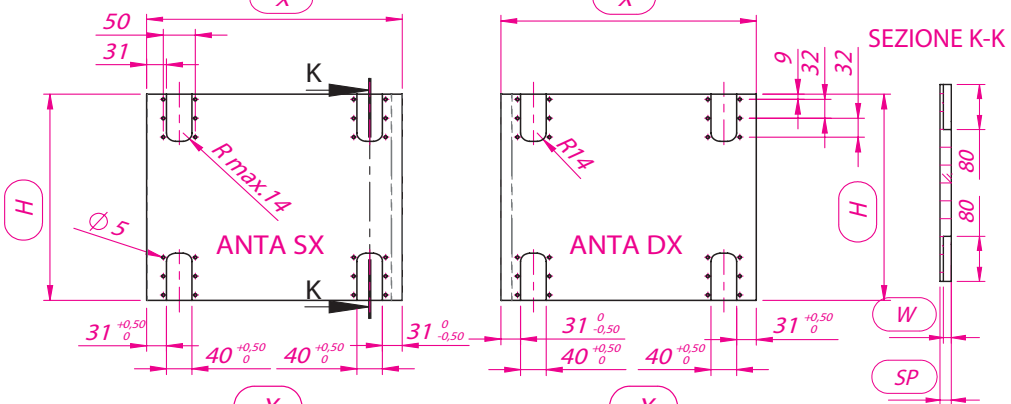
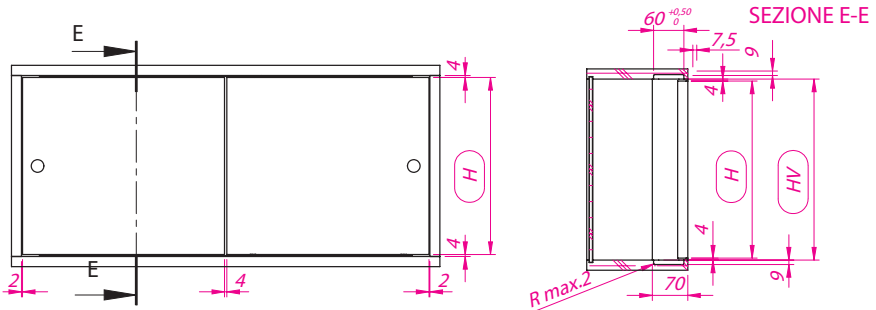
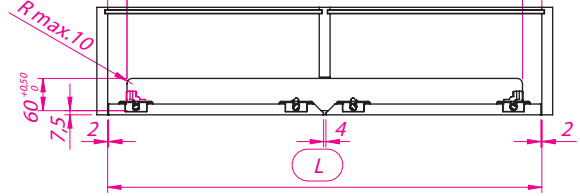
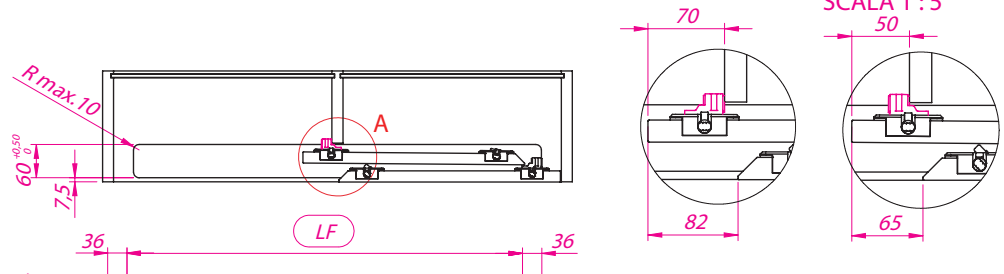




**MOD. SYSTEM SWITCH 7002.03512 REV\_01**



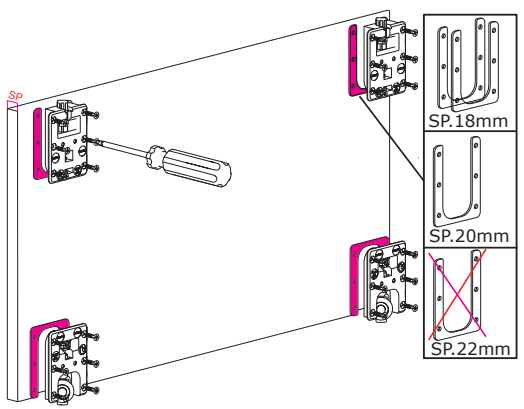
**DETTAGLIO A SCALA 1 : 5**



FORMULE	
H=HV-8	
X=(L-2-4-2)/2	
L=(X*2)+2+4+2	
LF=L-(36*2)	

QUOTE FRESATE	
SP=22	W=16
SP=20	W=14
SP=18	W=12

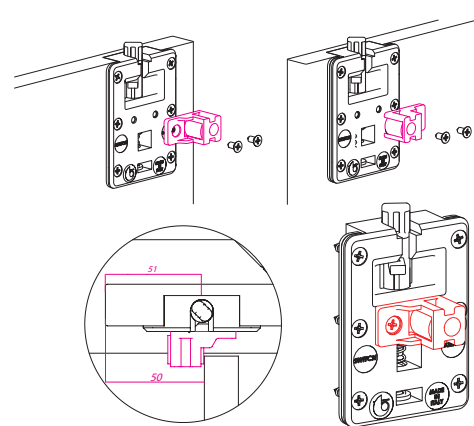
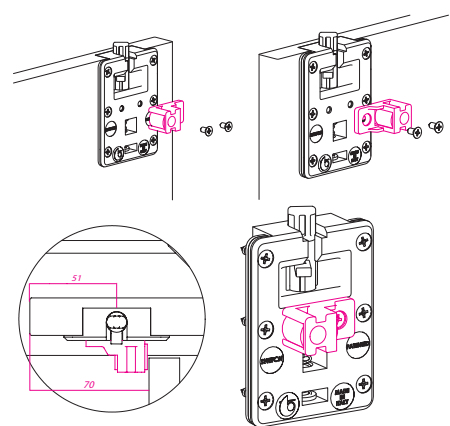
1



SORMONTO 70mm  
OVERLAP 70mm

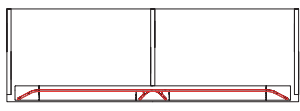
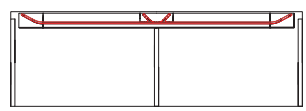
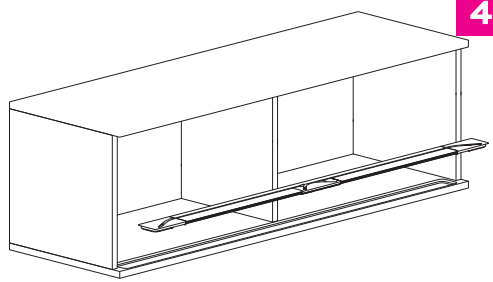
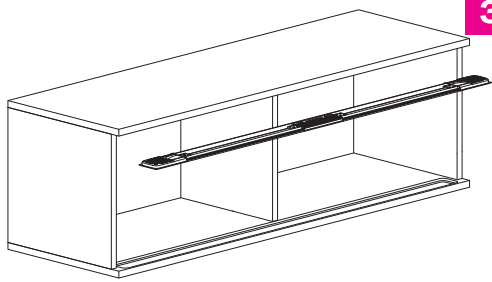
SORMONTO 50mm  
OVERLAP 50mm

2

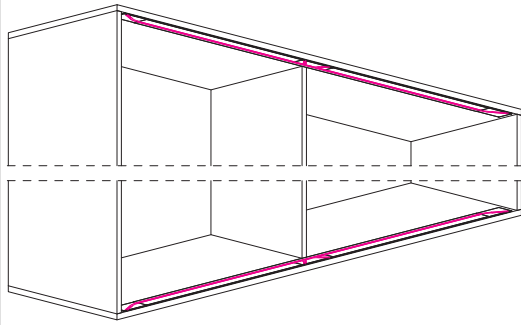


3

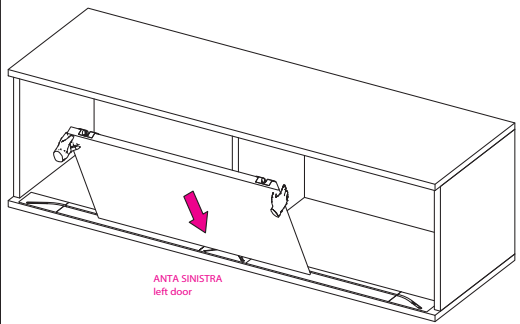
4



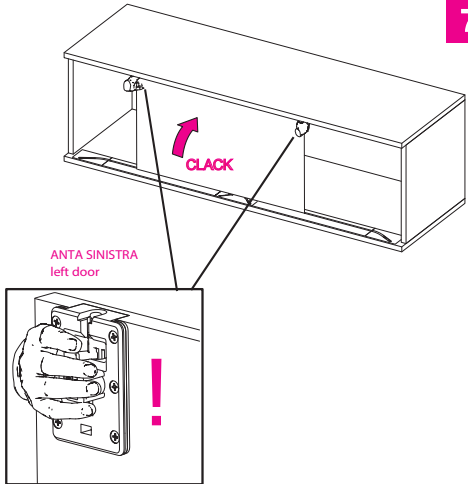
5



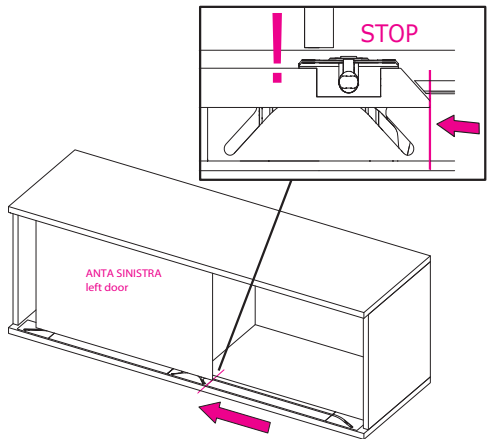
6



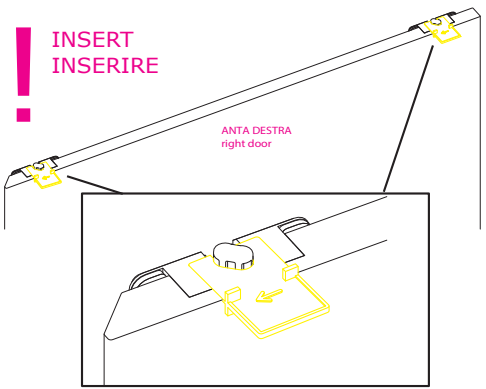
7



8



9



10

