

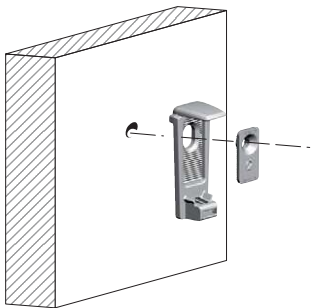
MOON S



4-25 mm

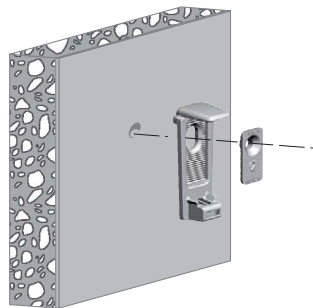
50 kg for pair for shelf 320 mm deep

WOOD PANEL

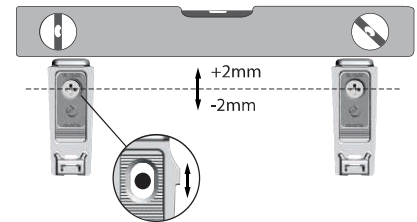


Recommended fixing countersunk screw type - head \varnothing 4 mm max.

SOLID AND PLASTERBOARD WALLS



UPPER PART ALIGNMENT

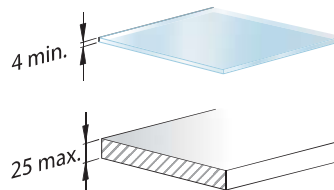


It is the responsibility of the customer:

- to ensure that the wall is of a suitable quality to hold the shelf fixing in place.
- to use the proper hardware fittings according to the construction of the wall.

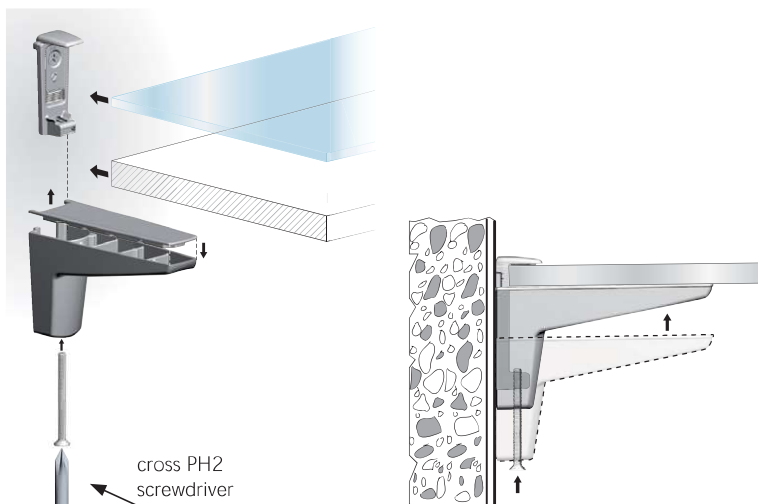
For more specific information, please refer to the WARNINGS section at the end of the catalog.

For shelves 4 - 25 mm thick:

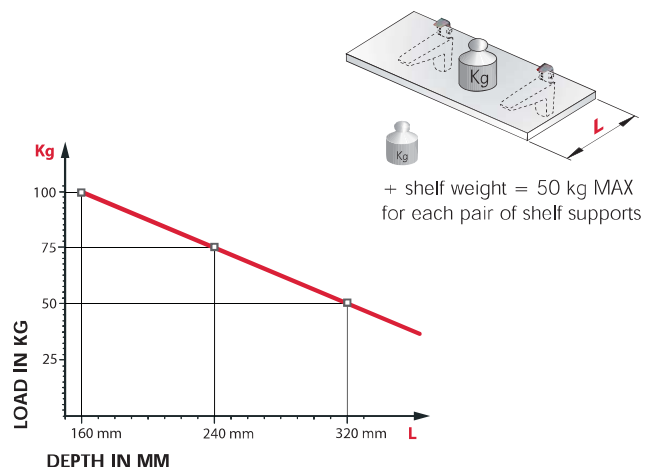


For glass shelves it's necessary to add the adhesive rubber insert on the upper part (already included in the kit).

SHELF LOCKING

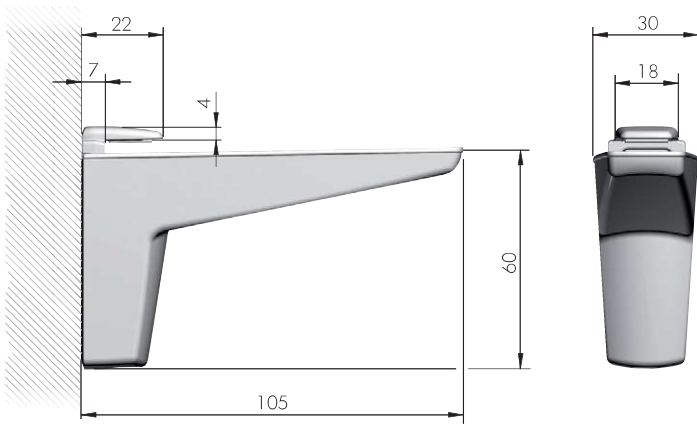
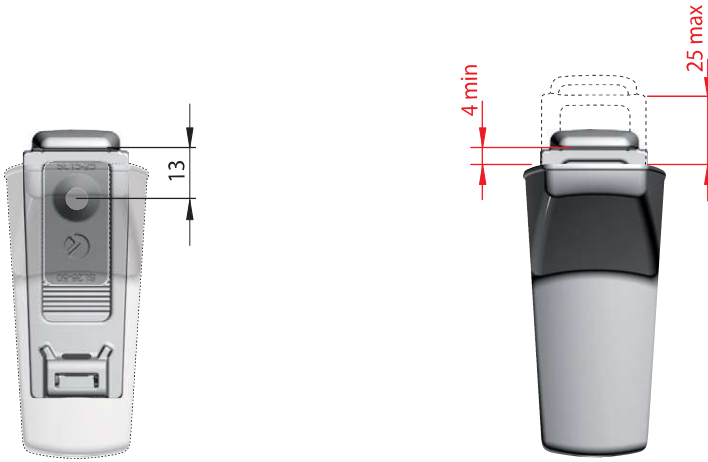


COMBINATION SHELF LOAD AND SHELF DEPTH (The figures refer to one pair of shelf supports)





POSITION OF THE RIDGE PLATE FOR SHELVES WITH 4 - 25 mm THICKNESS



	= PH2		
			= 24 pairs
16228010UZ			
16228010EC			
16228010KB			

NOTE: MOON S is supplied in carton box including 2 pieces, accessories and fitting guide. Fixing screws to wall not included.

