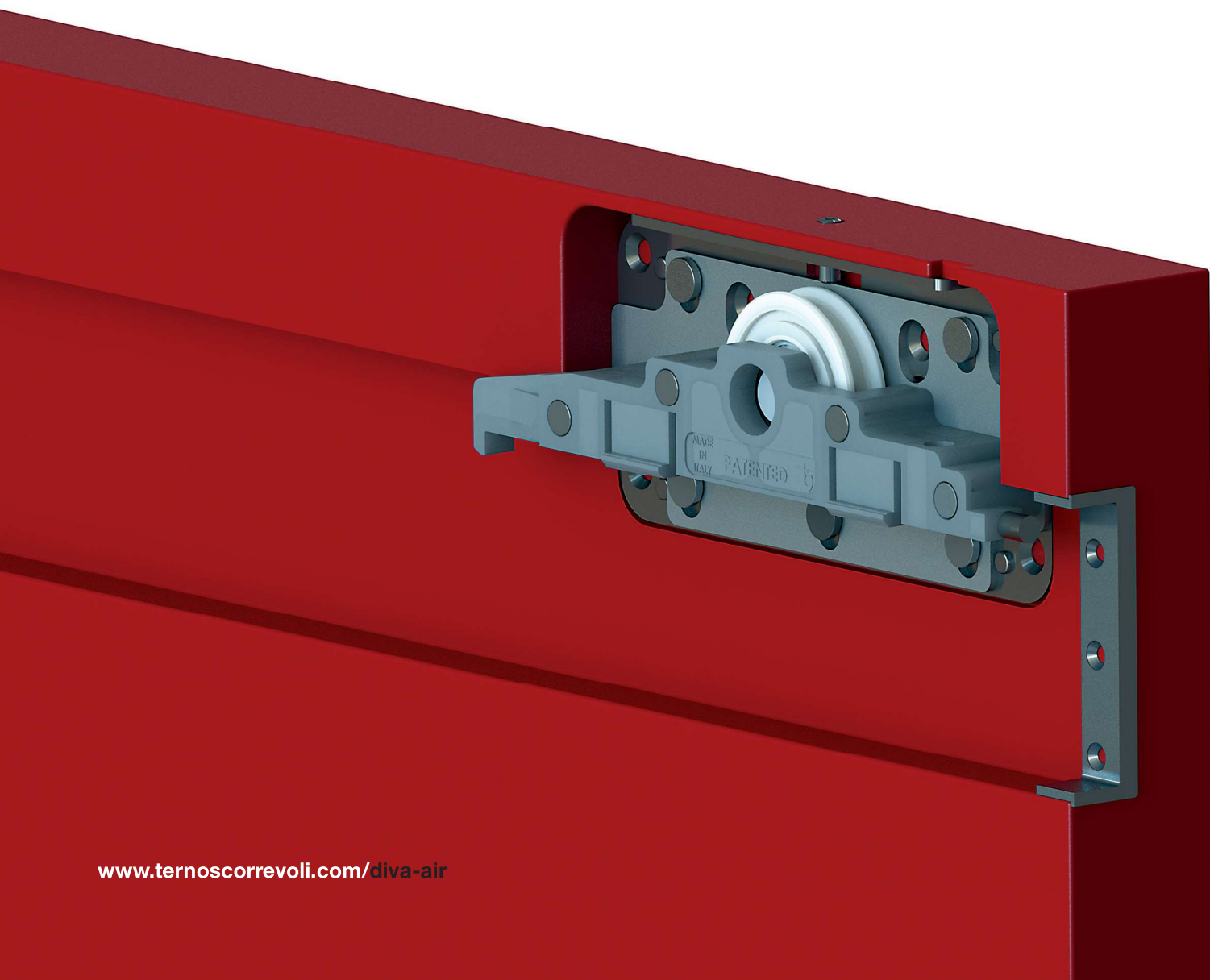


Diva Air

Patented sliding system with exposed aluminium track and soft-closing
Sistema di scorrevoli brevettato per porte con fermo ammortizzato



Diva Air

PATENTED

Diva Air is the **patented sliding system** with exposed aluminium track and soft-closing, for wooden design doors.

Diva Air is featured by **minimal style, thanks to hidden sliding trolleys**. Patented air dampers are totally concealed into the tracks, in order to **stand out the design of the door**. The exposed aluminium tracks is available in various finishing solutions.

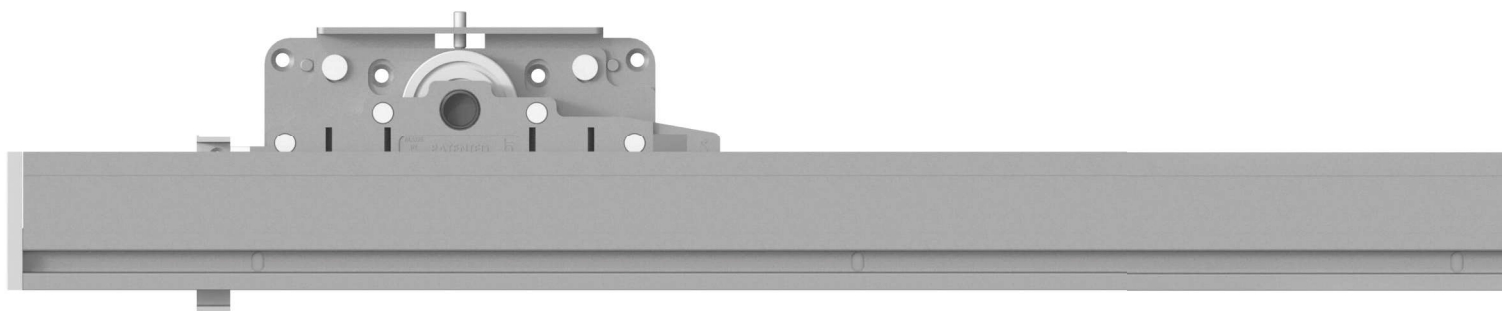
Diva Air è l'innovativo **sistema scorrevole brevettato** con fermi ammortizzati per porte in legno di design.

Caratterizzato da **linee minimaliste**, il sistema **Diva Air** con scorrimento frontale **esalta il design della porta**, grazie agli scorrevoli che risultano completamente nascosti. Il binario, parzialmente nascosto dalla porta, è disponibile in varie finiture.



Diva Air

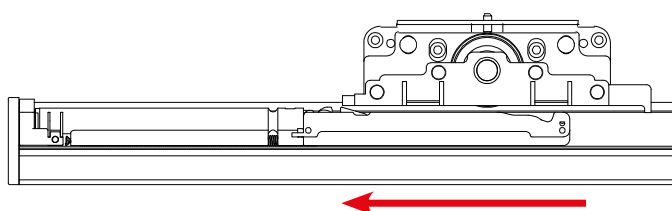
Sliding system with amortised stopper
Scorrevoli per porte con fermo ammortizzato



PATENTED

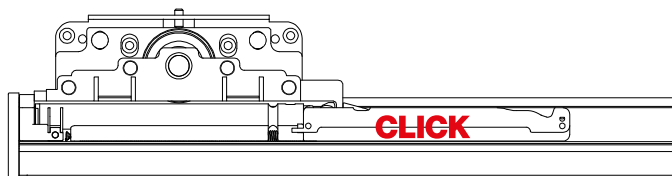
Easy mounting

The air damper is integrated into the track and is equipped with an automatic loading system; the pre-loading operation must be made before the first usage of the door.



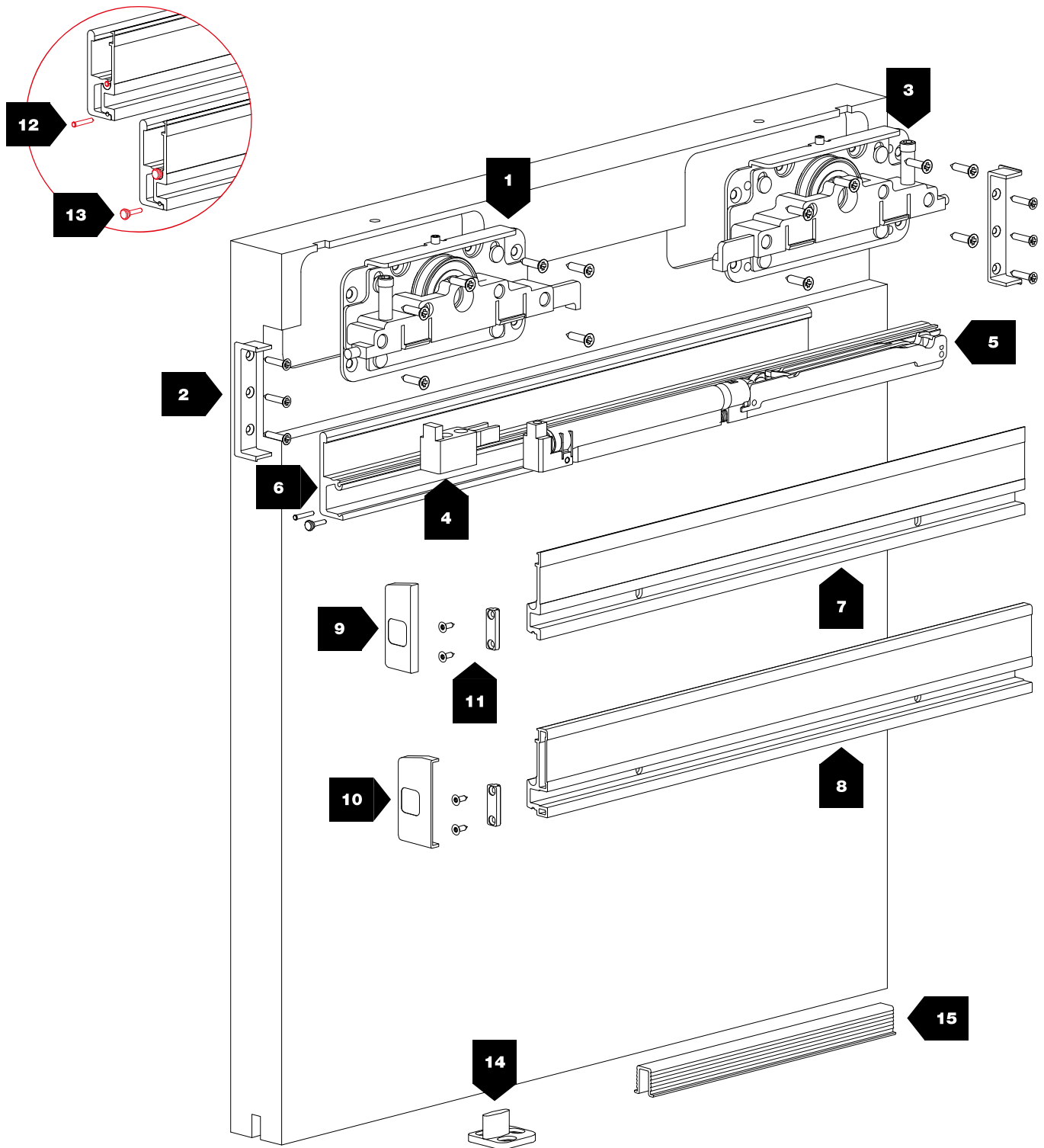
Facile da montare

L'ammortizzatore è inserito nel binario ed è dotato di caricamento automatico, da eseguire prima dell'utilizzo della porta.



Diva Air

Sliding system with amortised stopper
Scorrevoli per porte con fermo ammortizzato



12 - 18 mm

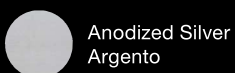


40 - 80 kg



10 mm

COLORS / COLORI



Anodized Silver
Argento



Anodized Black
Nero

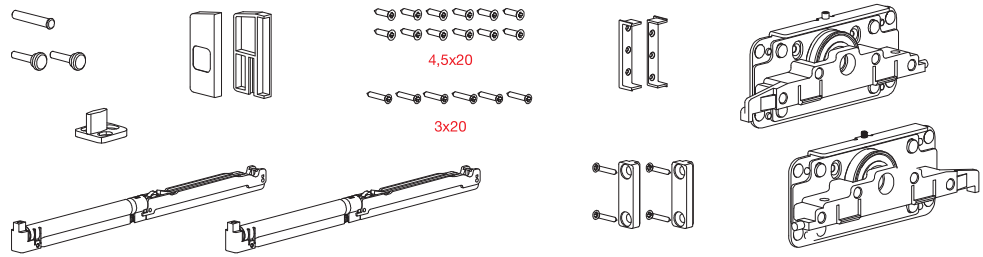


Anodized Nickel
Nichel



Anodized Graphite
Grafite

N°	Barcode	Image	KG		N°	Barcode	Image	KG	
1	1478		40±80		8	1490 8 01 2.01490		-	
2	1369		-		9	1474		-	
3	1479		-		10	1475		-	
4	1473		40		11	1472		-	
	1477		80		12	1337		-	
5	1476/35G		40		13	1333		-	
	1476/80Y		80		14	45		-	
6	1470 8 02 0.01470		-		15	707 8 01 0.00707		-	
7	1450 8 01 2.01450		-			8000,00707			
						705 8 23 0.00705		-	



N.2 Soft damper stoppers
N.2 Fermi ammortizzati



Patented system
Sistema brevettato



Ball bearings
Cuscinetti a sfera



Anodized Silver
Argento



Anodized Black
Nero

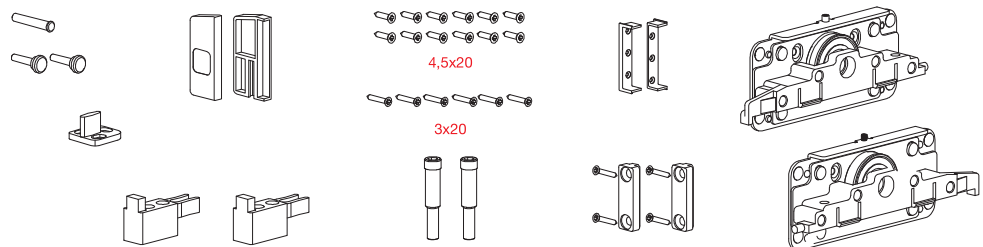


Anodized Nickel
Nichel



Anodized Graphite
Grafite

OLD CODE	NEW CODE	COLORS COLORI			
1478/35G/12A	K.0051.2.01	Anodized Silver / Argento	40 kg	12 mm	4x
1478/35G/12N	K.0051.2.14	Anodized Black / Nero			4x
—	K.0051.2.16	Anodized Nickel / Nichel			4x
—	K.0051.2.26	Anodized Graphite / Grafite			4x
1478/35G/18A	K.0053.2.01	Anodized Silver / Argento		18 mm	4x
1478/35G/18N	K.0053.2.14	Anodized Black / Nero			4x
—	K.0053.2.16	Anodized Nickel / Nichel			4x
—	K.0053.2.26	Anodized Graphite / Grafite			4x
1478/80Y/12A	K.0052.2.01	Anodized Silver / Argento	80 kg	12 mm	4x
1478/80Y/12N	K.0052.2.14	Anodized Black / Nero			4x
—	K.0052.2.16	Anodized Nickel / Nichel			4x
—	K.0052.2.26	Anodized Graphite / Grafite			4x
1478/80Y/18A	K.0054.2.01	Anodized Silver / Argento		18 mm	4x
1478/80Y/18N	K.0054.2.14	Anodized Black / Nero			4x
—	K.0054.2.16	Anodized Nickel / Nichel			4x
—	K.0054.2.26	Anodized Graphite / Grafite			4x



N.2 Standard stoppers
N.2 Fermi standard



Patented system
Sistema brevettato



Ball bearings
Cuscinetti a sfera



Anodized Silver
Argento



Anodized Black
Nero



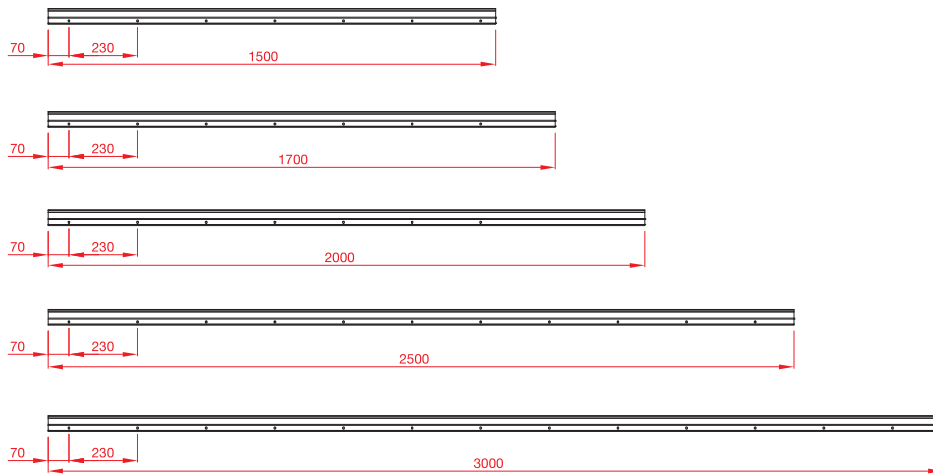
Anodized Nickel
Nichel



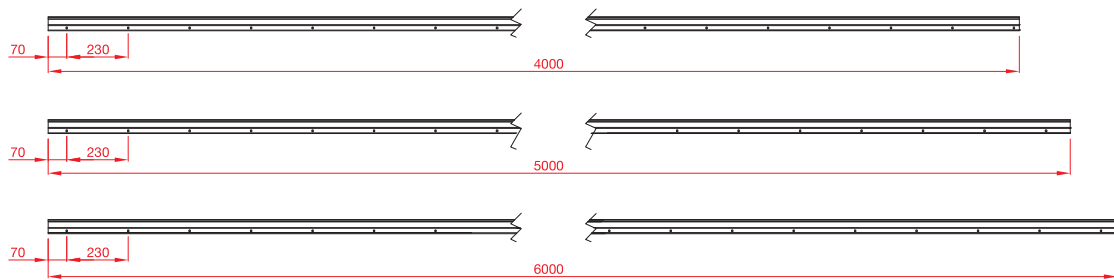
Anodized Graphite
Grafite

OLD CODE	NEW CODE	COLORS COLORI			
1478/1473/12A	K.0051.1.01	Anodized Silver / Argento	40 kg	12 mm	4x
1478/1473/12N	K.0051.1.14	Anodized Black / Nero			4x
—	K.0051.1.16	Anodized Nickel / Nichel			4x
—	K.0051.1.26	Anodized Graphite / Grafite			4x
1478/1473/18A	K.0053.1.01	Anodized Silver / Argento		18 mm	4x
1478/1473/18N	K.0053.1.14	Anodized Black / Nero			4x
—	K.0053.1.16	Anodized Nickel / Nichel			4x
—	K.0053.1.26	Anodized Graphite / Grafite			4x
1478/1477/12A	K.0052.1.01	Anodized Silver / Argento	80 kg	12 mm	4x
1478/1477/12N	K.0052.1.14	Anodized Black / Nero			4x
—	K.0052.1.16	Anodized Nickel / Nichel			4x
—	K.0052.1.26	Anodized Graphite / Grafite			4x
1478/1477/18A	K.0054.1.01	Anodized Silver / Argento		18 mm	4x
1478/1477/18N	K.0054.1.14	Anodized Black / Nero			4x
—	K.0054.1.16	Anodized Nickel / Nichel			4x
—	K.0054.1.26	Anodized Graphite / Grafite			4x

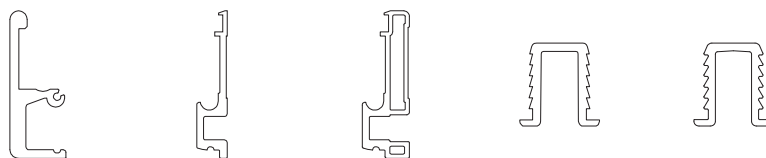
STANDARD HOLES AND MEASUREMENTS / FORATURE E MISURE STANDARD



HOLES AND SIZES ON REQUEST / FORATURE E MISURE A RICHIESTA



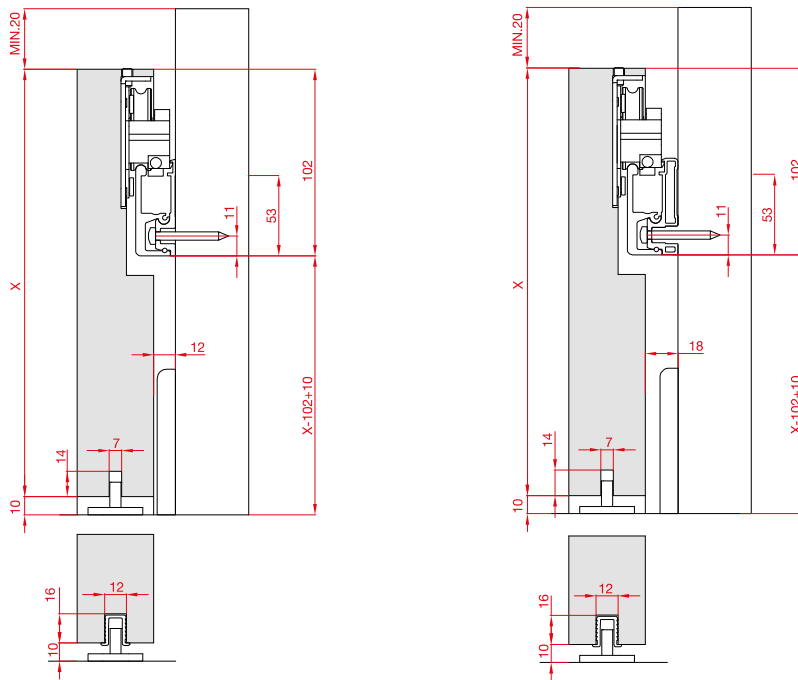
**TRACKS / SPECIFY ARTICLE NUMBER, LENGTH AND COLOR WHEN ORDERING
BINARI / AL MOMENTO DELL'ORDINE SPECIFICARE ARTICOLO, LUNGHEZZA E COLORE**



ART. 1470	ART. 1450	ART. 1490	ART. 707	ART. 705
8 02 0.01470	8 01 2.01450	8 01 2.01490	8 01 0.00707	8 23 0.00705
8 15 0.01470	8 14 2.01450	8 14 2.01490	8000,00707	
8 17 0.01470	8 16 2.01450	8 16 2.01490		
8 25 0.01470	8 26 2.01450	8 26 2.01490		

00	Raw / Mill Finish Neutro / Grezzo
01	Anodized Silver Argento
02	Brushed Anodized Silver Argento Spazzolato
14	Anodized Black Nero
15	Brushed Anodized Black Nero Spazzolato
16	Anodized Nickel Nichel
17	Brushed Anodized Nickel Nichel Spazzolato
25	Brushed Anodized Graphite Grafite Spazzolato
26	Anodized Graphite Grafite

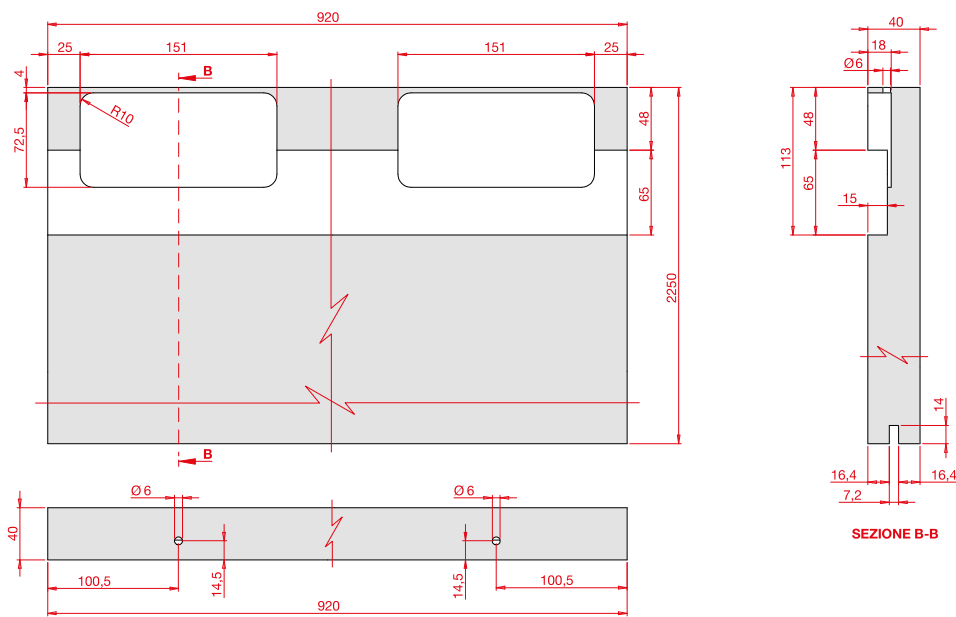
STANDARD MEASUREMENTS DESCRIPTION / DESCRIZIONI MISURE STANDARD



NOTES / NOTE

Specify the type of upright bar needed when ordering, based on the space desired between door panel and wall.

Definire all'ordine il tipo di trave necessario, in base allo spazio che si vorrà ottenere tra porta e parete.



ASSEMBLY DESCRIPTION / DESCRIZIONE MONTAGGIO

