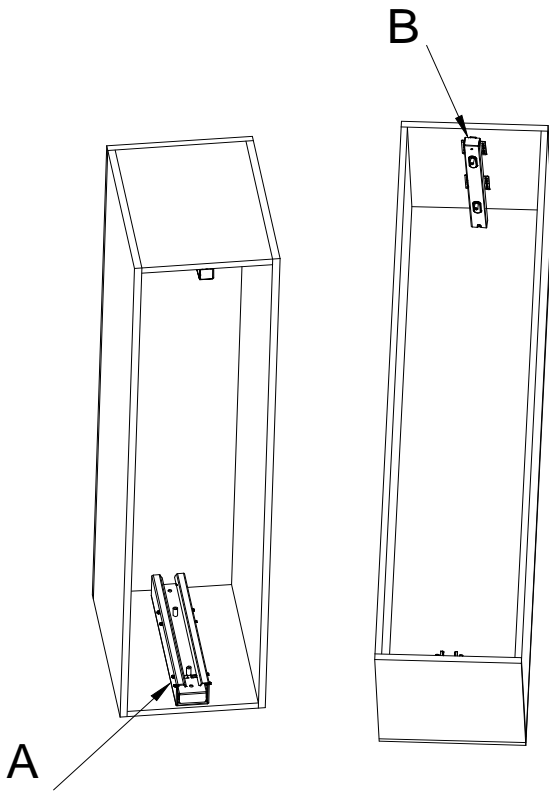


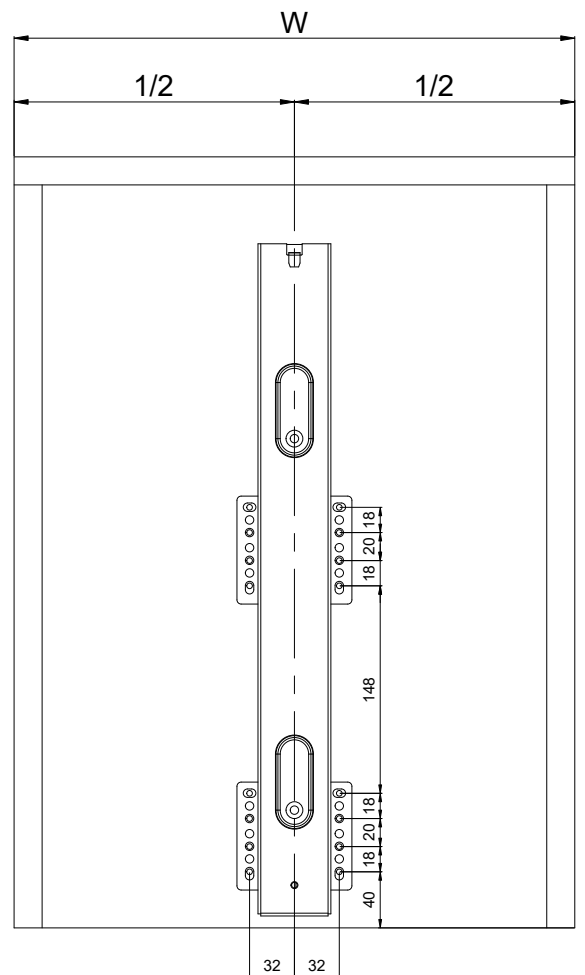
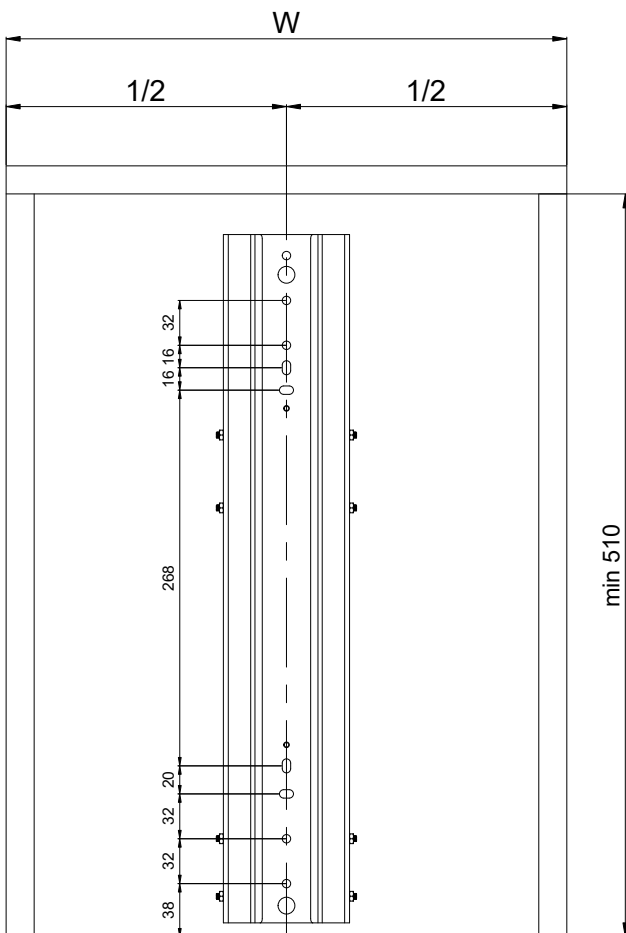
1.



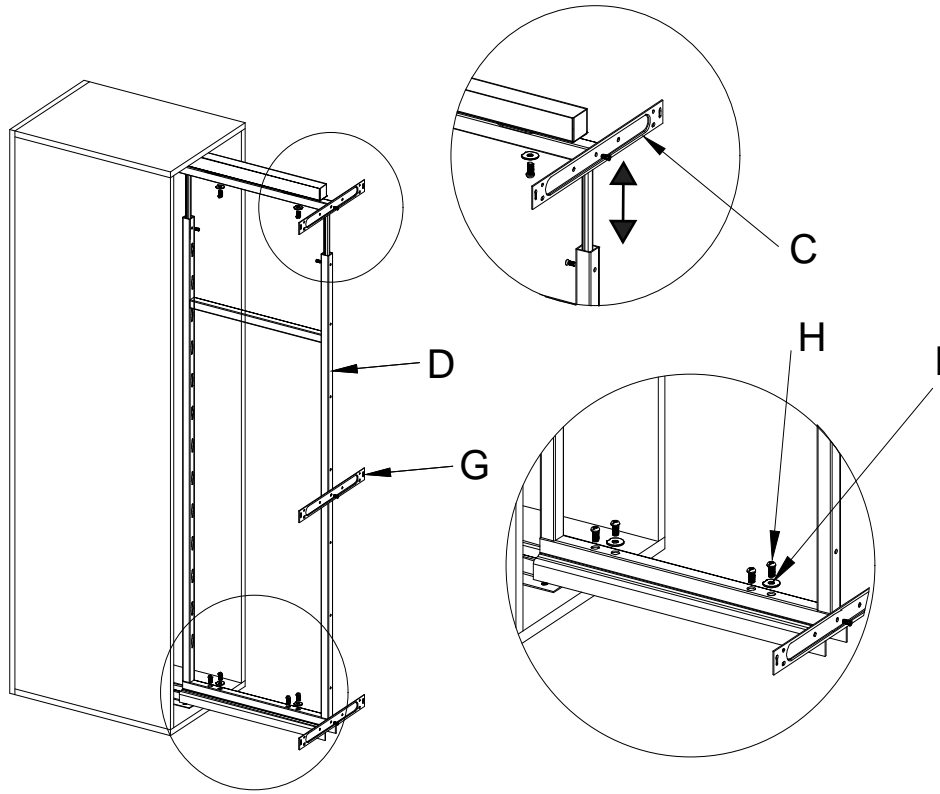
W	A	B
200	---	90
300	100	190
400	100	290
450	100	290



A	1x		F	4-6x	
B	1x		G	1-2x	
C	2x		H	4x	
D	1x		I	4x	
			J	4-6x	



2.



1260 - 1590
1560 - 1890
1960 - 2250

