

 **ITALIANA**[®]
f e r r a m e n t a



Libra H11



HANGERS



SYMBOLS AND FINISHES LEGEND

SYMBOLS



= SHELF SAFELY LOCKED DURING TRANSPORTATION AND AT HOME.



= ANTI-TURNOVER LOCKING SYSTEM



= NORMS / PATENTS



= PHILLIPS / POZIDRIV



= WITH BUFFER



= PART NO.



= BLADE SLOT



= WITH MAGNET



= PCS. PER PACKAGE



= COMBI SLOT



= HEXAGONAL SOCKET



= NEWTON



= CAPACITY LOADING



= HEXALOBULAR SOCKET



= FRICTION



= WOOD / GLASS THICKNESS



= COUNTERSUNK HEAD



= AUTOMATIC



= HOLE DIAMETER



= PAN HEAD



= DROP DOWN



= DIAMETER



= FLANGE HEAD



= LENGTH



= FLAT HEAD



= STANDARD HINGE



= HEIGHT



= TRILOBULAR SCREW



= KIMANA HINGE



= RIGHT VERSION



= SELF-TAPPING SCREW



= FLAP HINGE



= LEFT VERSION



= EURO THREAD



= WITH SPRING



= SETTING CODE



= METRIC THREAD



= WITHOUT SPRING



= PCS. PER PAD



= PRE-INSERTED SCREW



= REVERSED SPRING



= CUT ON REQUEST



= PRE-INSERTED SCREW AND SPREADING BUSH



= SELF ADHESIVE



= WITH FLANGE

NOTE: Printing errors and omissions may exist despite our best efforts to ensure accuracy. We reserve the right to alter specifications without notice.

MATERIALS

ZA = Zinc Alloy

ST = Steel

HSS = High Speed Steel

BR = Brass

ABS = Acrylonitrile Butadiene Styrene

ZAnk = Nickel-plated Zinc Alloy

STzk = Zinc-plated Steel

AL = Aluminium

WD = Wood

EVA = Ethylene Vinyl Acetate

EP = **ENGINEERING PLASTIC**

+ **EP** = other engineering plastic available on request

SR = **SOFT RUBBER**

+ **SR** = other soft rubber available on request

EPn = Natural Engineering Plastic

EPc = Clear Engineering Plastic

SRn = Natural Soft Rubber

EPw = White Engineering Plastic

EPg = Grey Engineering Plastic

SRw = White Soft Rubber

EPwg = Water Green Engineering Plastic

SRb = Black Soft Rubber



FINISHES



= OTHER FINISHES AVAILABLE ON REQUEST

PART NO.	FINISHES	PART NO.	FINISHES	PART NO.	FINISHES
00	Insignificant finish	IF	Middle Grey	UT	T-Met 9007
AA	Natural	IJ	Light Grey	UZ	T-Met
AB	White	IL	Grey 20	WA	Bronzed
AE	White 9010	IN	Grey met. 26	WI	Burnished
EA	Black	JB	Bright Aluminium	XD	Satin-finished Steel
EC	Matt Black	JC	Aluminium - Chrome	YA	Nickel-plated
EE	Anthracite	JD	Matt Aluminium	YB	Bright Nickel-plated
EW	Grey 9007	JE	Satin-finished Aluminium	YC	Matt Nickel-plated
FU	Gunmetal	JF	Aluminium - Brass	YD	Satin-finished Nickel-plated
FV	Gunmetal V52	JG	Aluminium 5	YQ	Black Nickel
GR	Raw	JL	Aluminium PE 11	Z9	Black Zinc
HA	Brass-Plated	JM	Aluminium RAL 9006	ZA	Zinc alloy
HH	Tropicalized	KA	Chrome	ZN	Zinc-plated
HL	Raw Brass	KB	Bright Chrome	ZQ	Bright Gold
HX	Graphite	KC	Matt Chrome	ZY	Titanium
IA	Grey	NN	Metallic Beige	ZZ	Clear
IB	Metallic Grey	RO	Red		

LIBRA H11



PATENTED



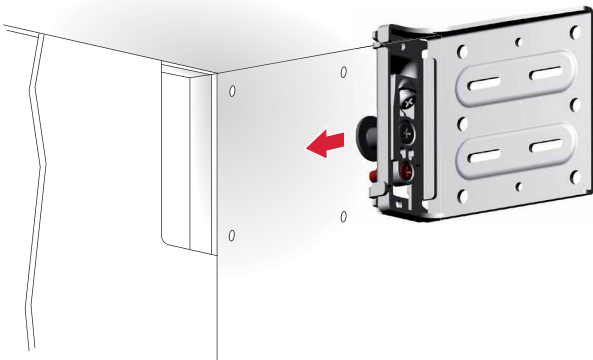


LIBRA H11

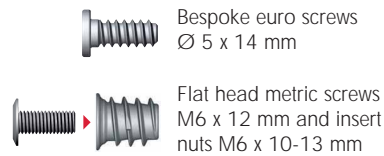
Suitable for suspended base units for all types of furniture.
 Quick and easy installation through 4 holes to be pre-drilled on the side panel.
 Structural top and backside panel are not required.
 Fixation on the side panel through M6 flat head screw or bespoke euro screw.
 Thanks to the slim side plate, it allows to fully and efficiently use the inner space.
 Possibility to install it in pre-assembled cabinets.
 Easy and intuitive installation and removal of the base unit.
 The adjustment body is easily accessible as the screwdriver works parallel to the side panel.
 Patented anti-turnover device.
 The integrated use of LIBRA WP13 is highly recommended.



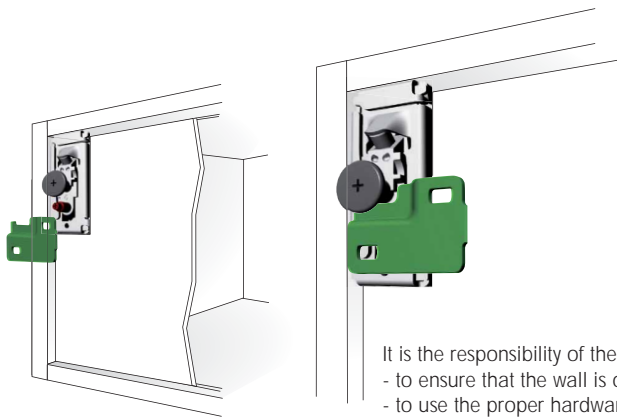
INSTALLATION UNDER THE CABINET TOP



Recommended fixing options:

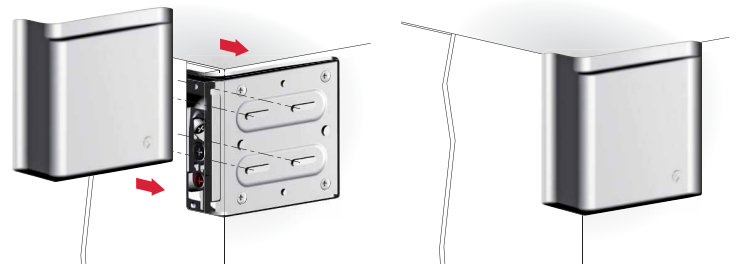


INSTALLATION ON THE WALL



COVER CAP INSERTING

- For details refer to "LIBRA H11 ACCESSORIES".



It is the responsibility of the customer:
 - to ensure that the wall is of a suitable quality to hold the unit fixing in place.
 - to use the proper hardware fittings according to the construction of the wall.

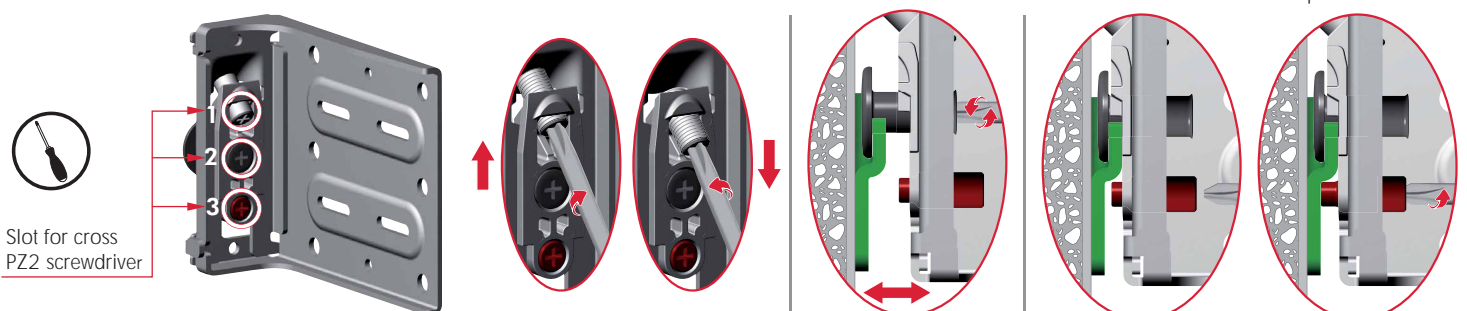
For more specific information, please refer to the WARNINGS section at the end of the catalogue.

ADJUSTMENTS

1
VERTICAL ADJUSTMENT
12 mm

2
IN-DEPTH ADJUSTMENT
10 mm

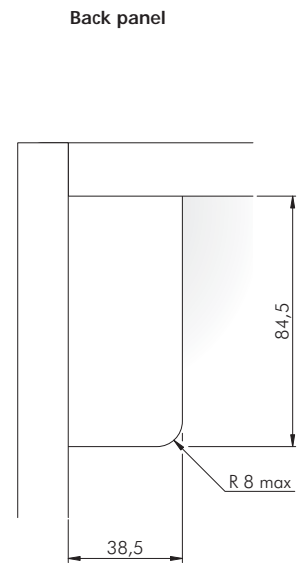
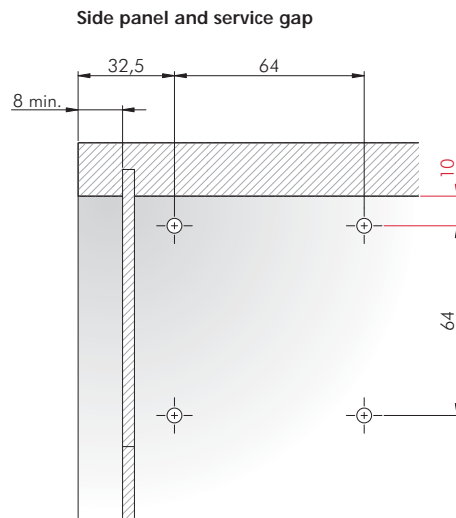
3
ANTI-TURNOVER LOCKING
Stop screwing the red bolt when it touches the wall plate



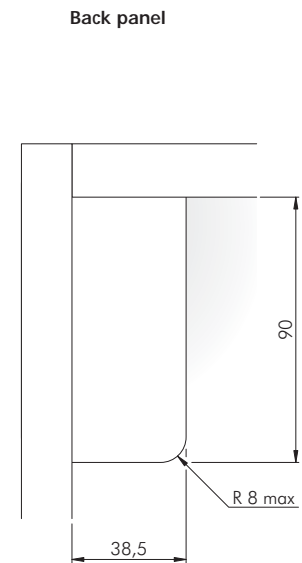
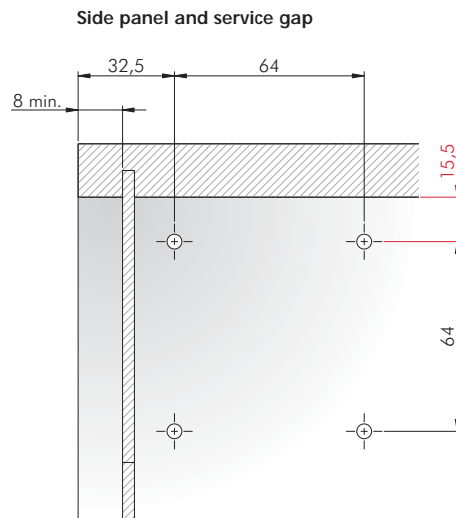
Slot for cross PZ2 screwdriver

INSTALLATION UNDER THE CABINET TOP

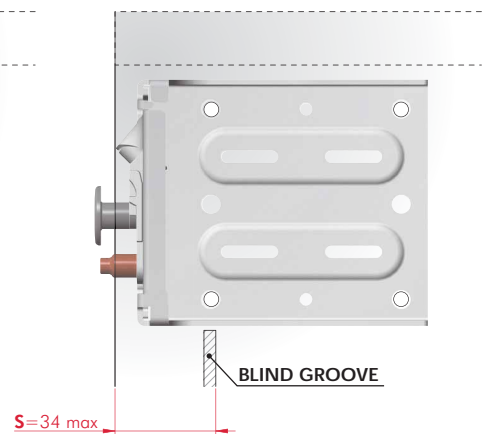
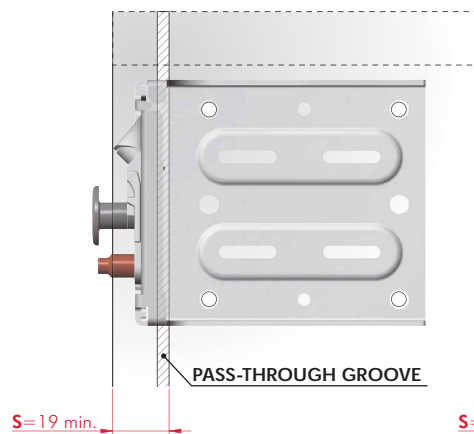
DRILLING PLAN WITHOUT COVER CAP



DRILLING PLAN WITH COVER CAP



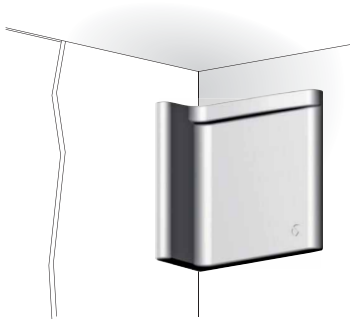
Back panel position



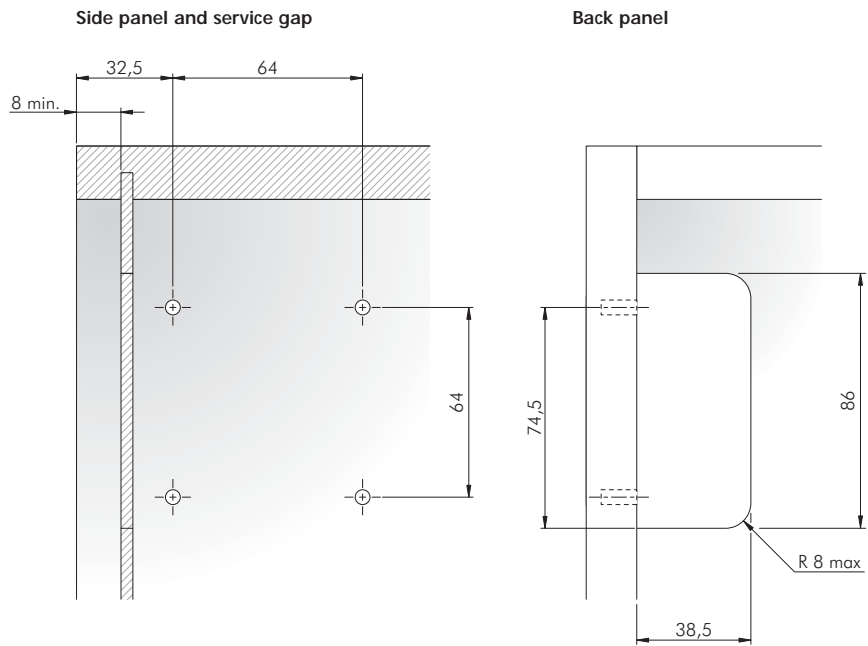


ALTERNATIVE INSTALLATION

DRILLING PLAN WITH COVER CAP

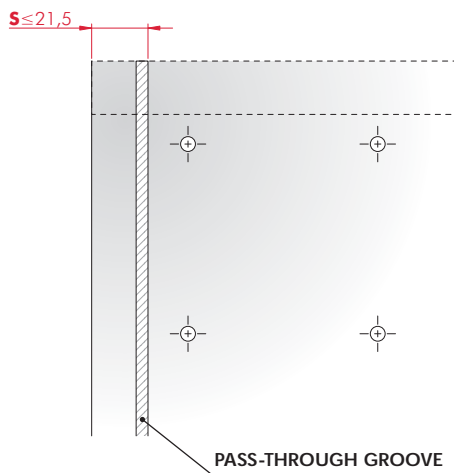
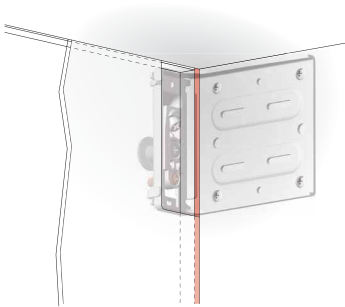


IMPORTANT
The loading capacity values declared according to the regulation EN 15939 are guaranteed by the application of the hanger under the cabinet top.

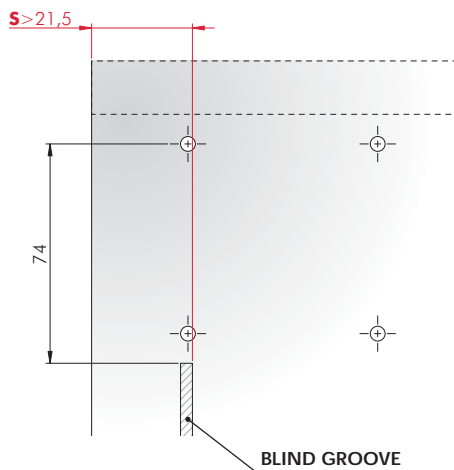
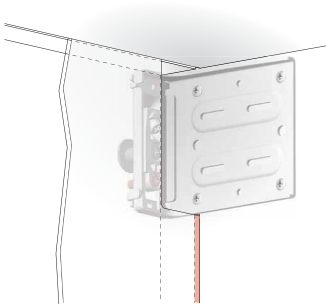


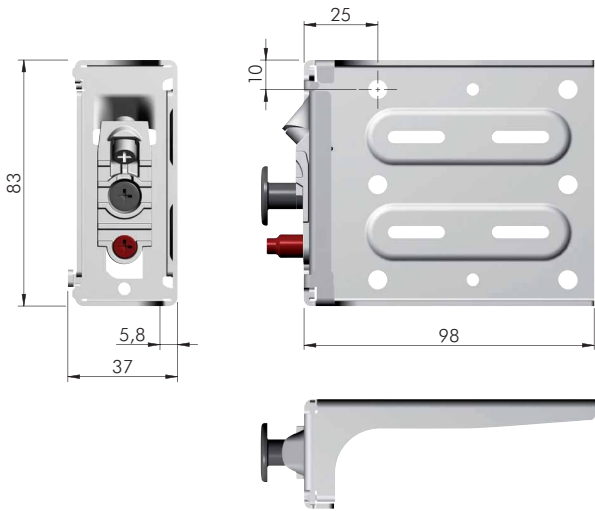
GROOVE FOR THE BACK PANEL DRILLING PLAN

Pass-through groove for $S \leq 21,5$ mm



Blind groove for $S > 21,5$ mm





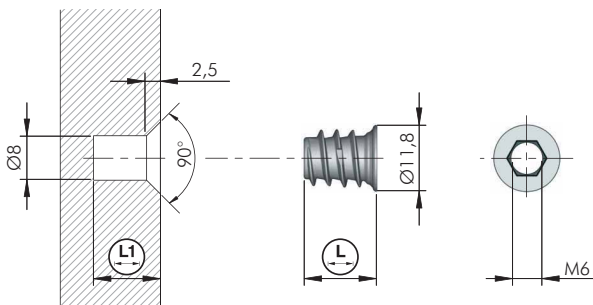
= PZ2		= 50 pcs.
123		
63425020ZN		
63425010ZN		



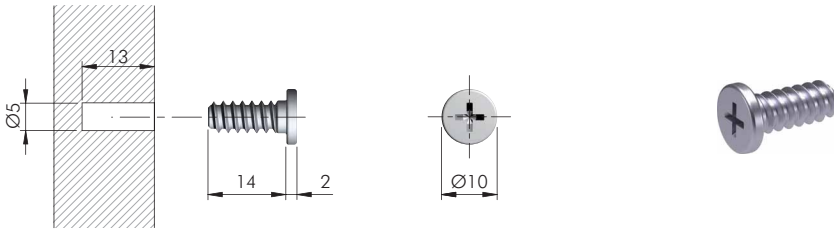
LIBRA H11 ACCESSORIES



= M6	= PZ2	= 5000 pcs.
123		
20819020ZN		



= Ø 8 mm	= M6	
	= S6	
		= 5000 pcs.
123		
20102010GR	10	12
20102020GR	13	15



= Ø 5 mm +

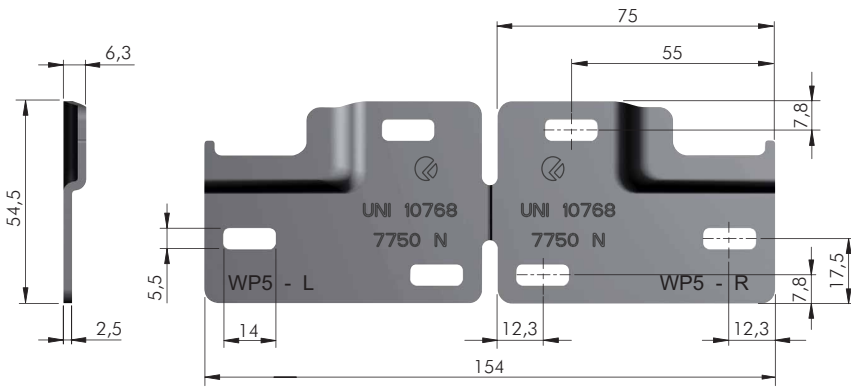
= PZ2

= 5000 pcs.

60507030ZN

LIBRA WP5

Certificates available on request.



Especially conceived for LIBRA H6 and H7 for heavy duty loading.

= 7750 N - UNI 10768

= 100 pcs.

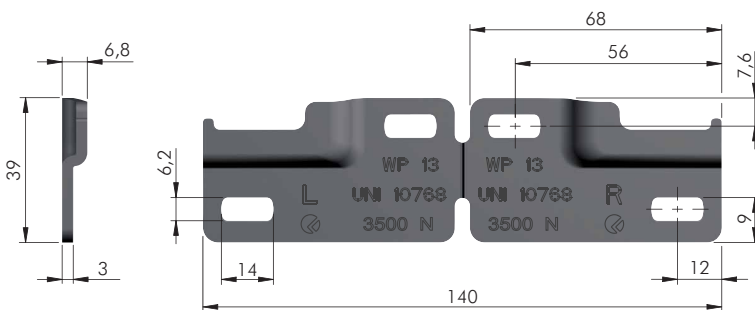
63450050ZN

NOTE: = stress resistance calculated in Newton according to normative UNI 10768



LIBRA WP13

Certificates available on request.



Especially conceived for LIBRA H11 for heavy duty loading.

= 3500 N - UNI 10768

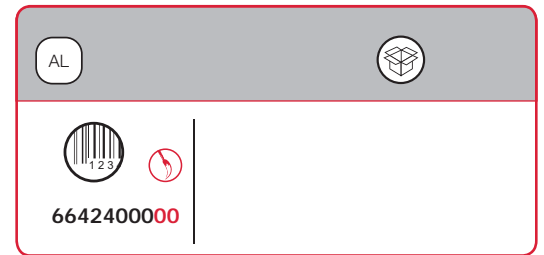
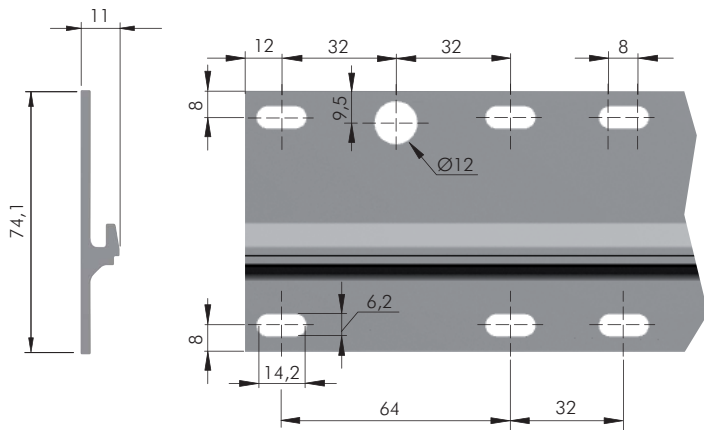
= 100 pcs.

63450180ZN

NOTE: = stress resistance calculated in Newton according to normative UNI 10768



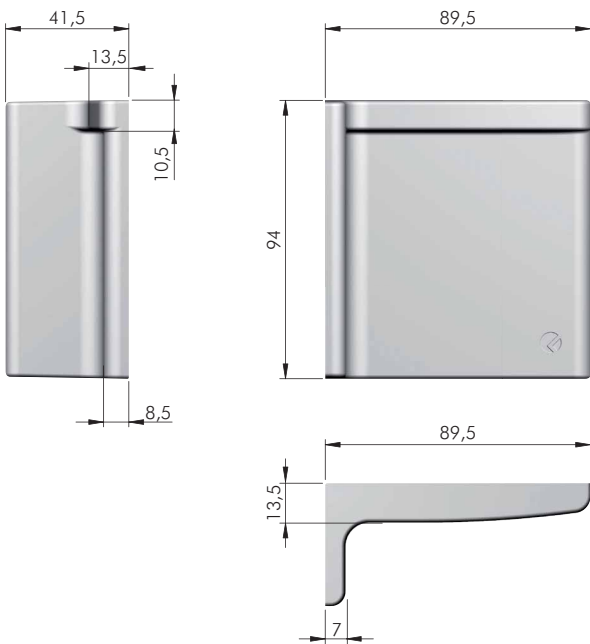
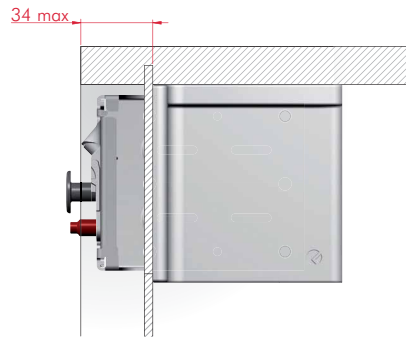
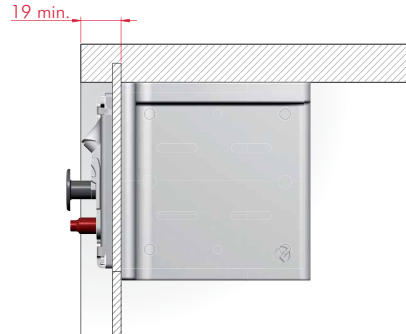
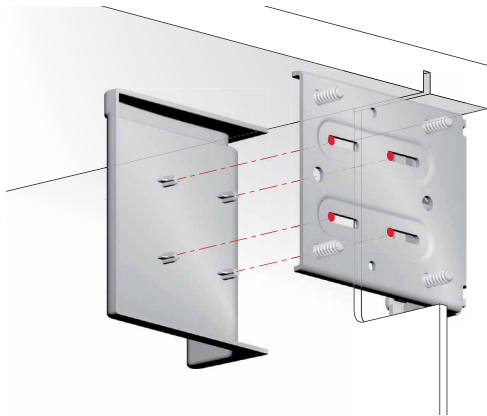
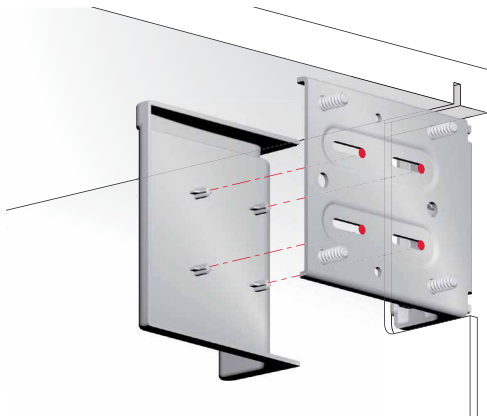
ALUMINIUM LIBRA WALL BAR





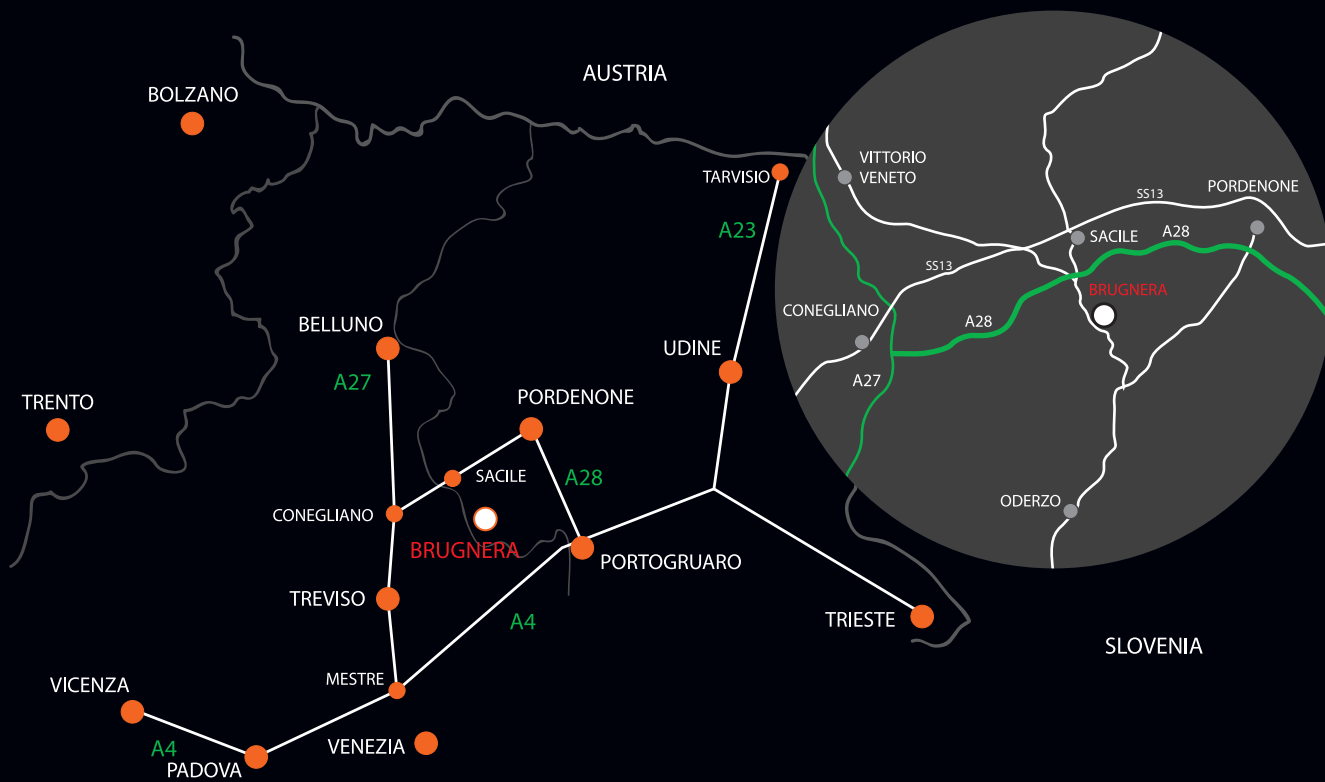
LIBRA H11 COVER CAP

INSTALLATION



EP			= 200 pcs.
63490720AB			
63490710AB			
63490720EE			
63490710EE			
63490720IJ			
63490710IJ			





www.italianaferramenta.it