

COMPONENTS

| Handle | |
|---------------------|--|
| L: 2.70 m 3.00 m | Arte GM L: 2.70 m Porto GM Prosper GM |

| Top track Gemini-Decor |
|---|
| L: 1.70 m, 2.35 m 3.00 m, 4.05 m 6.00 m |

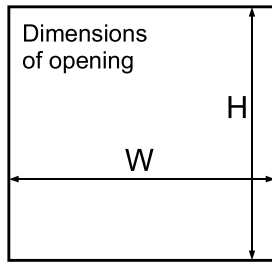
| Bottom track Gemini-Decor II |
|---|
| L: 1.70 m, 2.35 m 3.00 m, 4.05 m 6.00 m |

| Guiding carriage |
|---|
| GM18 asymmetrical or GM18 symmetrical |

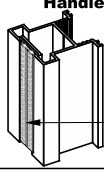

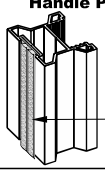
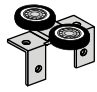
| Angle section |
|---|
| MINI 11 mm x 17 mm L: 1.70 m, 2.35 m, 3.00 m |
| K2 Decor L: 1.70 m, 2.35 m, 3.00 m |

| Bottom carriage WD18C HI-TEC |
|------------------------------|
| |

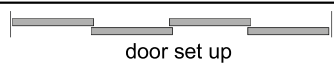
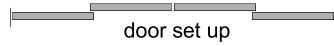
| Bottom carriage WD18V HI-TEC |
|------------------------------|
| |

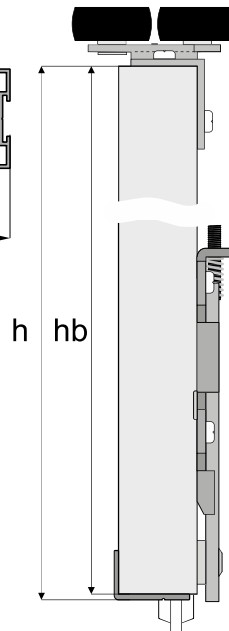
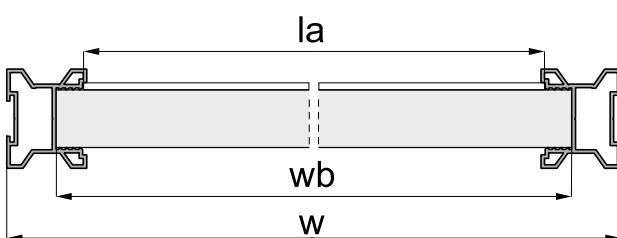


Handle length = door height

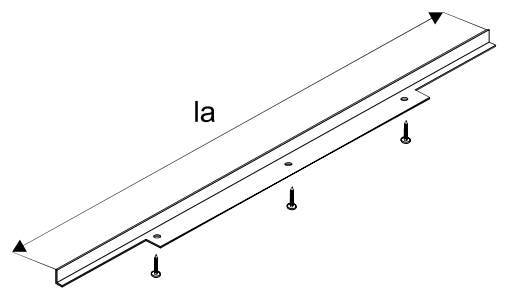
| | | LINE PORTO GM | | LINE PROSPER GM | |
|---|------|--|---|--|---|
| | | Handle Porto GM  textile door stop (inserted) 14 x 4 mm | Guiding carriage GM18 symmetrical  L/R | Handle Prosper GM  textile door stop (inserted) 14 x 4 mm | Guiding carriage GM18 symmetrical  L/R |
| door height | - h | h = H - 42 mm | | h = H - 42 mm | |
| door wing height with soft-close fitted | | Mini SV25/40/60 SV-25/50 | h = H - 42 mm | Mini SV25/40/60 SV-25/50 | h = H - 42 mm |
| | | Top SV60/80, Central SV25/40 | h = H - 44 mm | Top SV60/80, Central SV25/40 | h = H - 44 mm |
| board height | - hb | hb = h - 2 mm | | hb = h - 2 mm | |
| door width | - w | w = (W - 3 mm + Z) : N | | w = (W - 3 mm + Z) : N | |
| board width | - wb | wb = w - 41 mm | | wb = w - 31 mm | |
| angle section length | - la | la = w - 58 mm | | la = w - 48 mm | |

| | | | | | | | | | |
|-----------------|-----|-------|-------|-------|--------|-------|-------|-------|--------|
| number of doors | - N | 2 | 3 | 4 | 5 | 2 | 3 | 4 | 5 |
| total overlap | - Z | 30 mm | 60 mm | 90 mm | 120 mm | 25 mm | 50 mm | 75 mm | 100 mm |

| visual design – 4 wings | | |
|---|------------------------|------------------------|
|  | $w = (W - 3 + 90) : 4$ | $w = (W - 3 + 75) : 4$ |
|  | $w = (W : 2 + 27) : 2$ | $w = (W : 2 + 22) : 2$ |



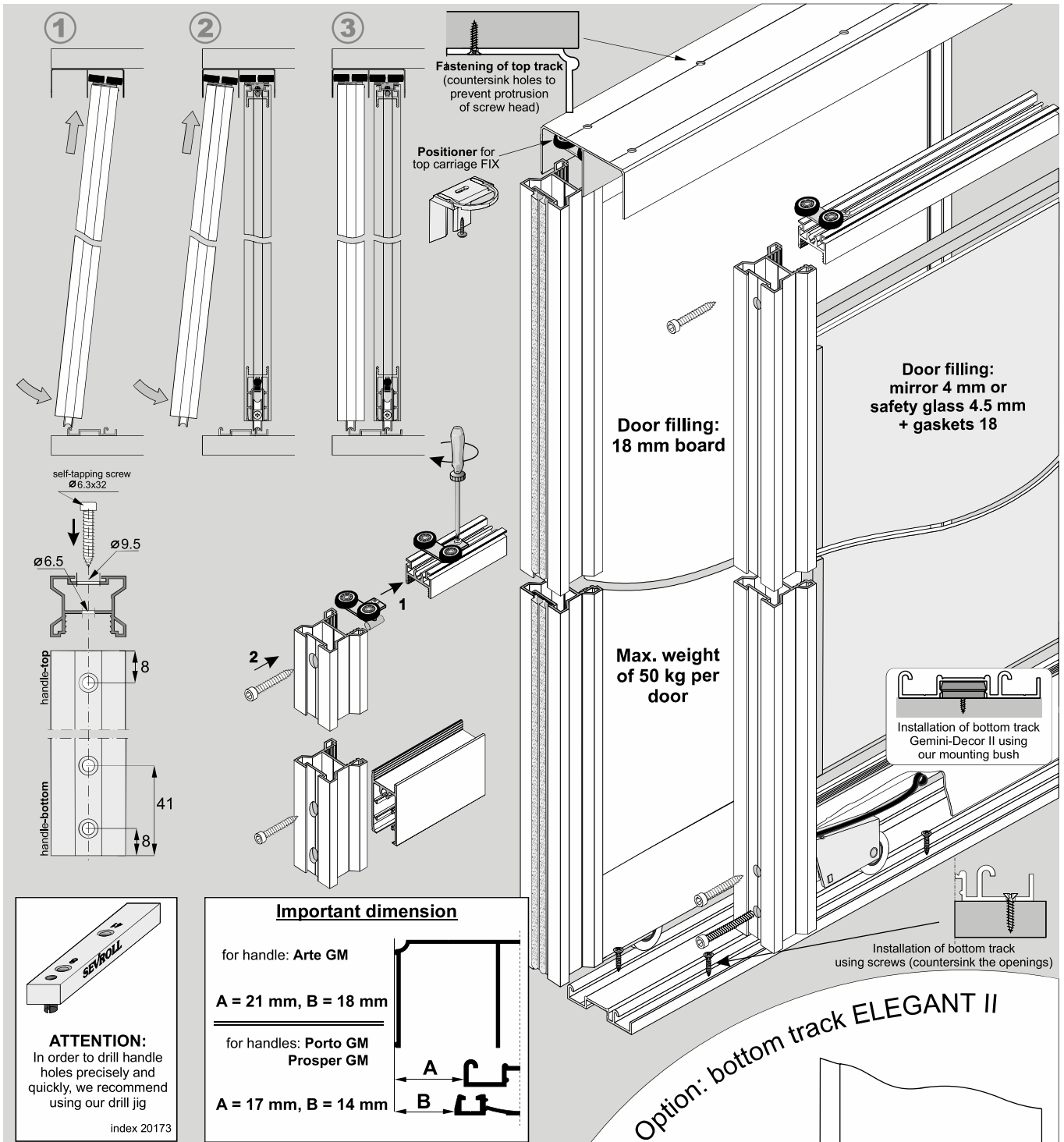
- When fitting handle profiles, do not use assembly adhesive
- The handle should be fixed to board with fastening screws on the inner door face



ATTENTION!
Handle profile should be 2 mm longer than board height.

WARNING
SEVROLL does not bear any responsibility for deformation resulting from the application of improper quality of boards (improper storage, improper humidity)





ATTENTION:
In order to drill handle holes precisely and quickly, we recommend using our drill jig

index 20173

Important dimension

for handle: **Arte GM**
A = 21 mm, B = 18 mm

for handles: **Porto GM**
Prosper GM
A = 17 mm, B = 14 mm

COMPONENTS

| | | | |
|---|--|--|--|
| <p>Handle</p> <p>L: 2.70 m, 3.00 m</p> <p>Arte GM</p> <p>L: 2.70 m</p> <p>Porto GM</p> <p>Prosper GM</p> | | <p>Upper horizontal profile Decor GM 18 Frame (A)</p> <p>Lower horizontal profile Decor GM 18 Frame (B)</p> <p>L: 1.70 m, 2.35 m, 3.00 m</p> | |
| <p>Guiding carriage</p> <p>Gm18 Frame asymm.</p> <p>or</p> <p>GEMINI</p> | <p>Bottom carriage WD10C HI-TEC</p> | <p>Top track Gemini-Decor</p> <p>L: 1.70 m, 2.35 m, 3.00 m, 4.05 m, 6.00 m</p> <p>76 mm</p> | <p>Bottom track Gemini-Decor II</p> <p>L: 1.70 m, 2.35 m, 3.00 m, 4.05 m, 6.00 m</p> <p>53 mm</p> |

Option: bottom track ELEGANT II

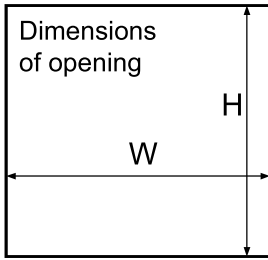
With Arte GM, Porto GM, Prosper GM set you may use bottom track **Elegant II** with covering strip along with bottom carriage WD 10V HI-TEC. **Fitting measurements are not affected.**

Bottom carriage WD10V HI-TEC

Stopper HI-TEC

Fastening of bottom track (special screw)

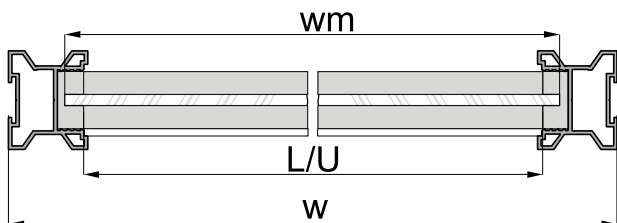
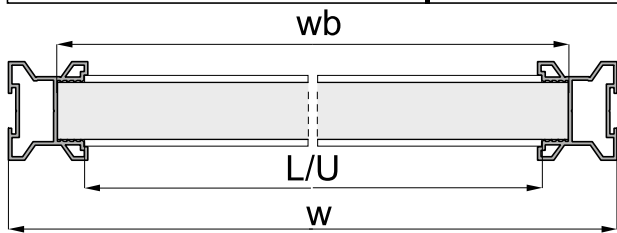
You must remember to purchase self-tapping screws to construct each door (4 screws per door). When using safety glass, you must also remember to purchase gaskets.



| | | Handle length = door height | | | |
|---|--|--|------------------------------------|--|------------------------------------|
| | | LINE PORTO GM | | LINE PROSPER GM | |
| | | Handle Porto GM textile door stop (inserted) 14 mm x 4 mm | Guiding carriage Gemini L/R | Handle Prosper GM textile door stop (inserted) 14 mm x 4 mm | Guiding carriage Gemini L/R |
| door height - h | | $h = H - 40 \text{ mm}$ | | $h = H - 40 \text{ mm}$ | |
| door wing height with soft-close fitted | | Mini SV25/40/60 SV-25/50 | $h = H - 40 \text{ mm}$ | Mini SV25/40/60 SV-25/50 | $h = H - 40 \text{ mm}$ |
| | | Top SV60/80, Central SV25/40 | $h = H - 44 \text{ mm}$ | Top SV60/80, Central SV25/40 | $h = H - 44 \text{ mm}$ |
| board height - hb | | $hb = h - 64 \text{ mm}$ | | $hb = h - 64 \text{ mm}$ | |
| door width - w | | $w = (W - 3 \text{ mm} + Z) : N$ | | $w = (W - 3 \text{ mm} + Z) : N$ | |
| board width - wb | | $wb = w - 41 \text{ mm}$ | | $wb = w - 31 \text{ mm}$ | |
| lower horizontal profile length - L | | $L = U = w - 58 \text{ mm}$ | | $L = U = w - 48 \text{ mm}$ | |
| upper horizontal profile length - U | | | | | |
| mirror height - hm | | $hm = hb$ | | $hm = hb$ | |
| mirror width - wm | | $wm = wb - 4 \text{ mm}$ | | $wm = wb - 4 \text{ mm}$ | |

| number of doors - N | | 2 | 3 | 4 | 5 | 2 | 3 | 4 | 5 |
|---------------------|--|-------|-------|-------|--------|-------|-------|-------|--------|
| total overlap - Z | | 30 mm | 60 mm | 90 mm | 120 mm | 25 mm | 50 mm | 75 mm | 100 mm |

| visual design – 4 wings | | |
|-------------------------|------------------------|------------------------|
| | $w = (W - 3 + 90) : 4$ | $w = (W - 3 + 75) : 4$ |
| | $w = (W : 2 + 27) : 2$ | $w = (W : 2 + 22) : 2$ |



Installation method for fitting 18 mm board (diag. A) and 4 mm mirror or glass (diag. B)

