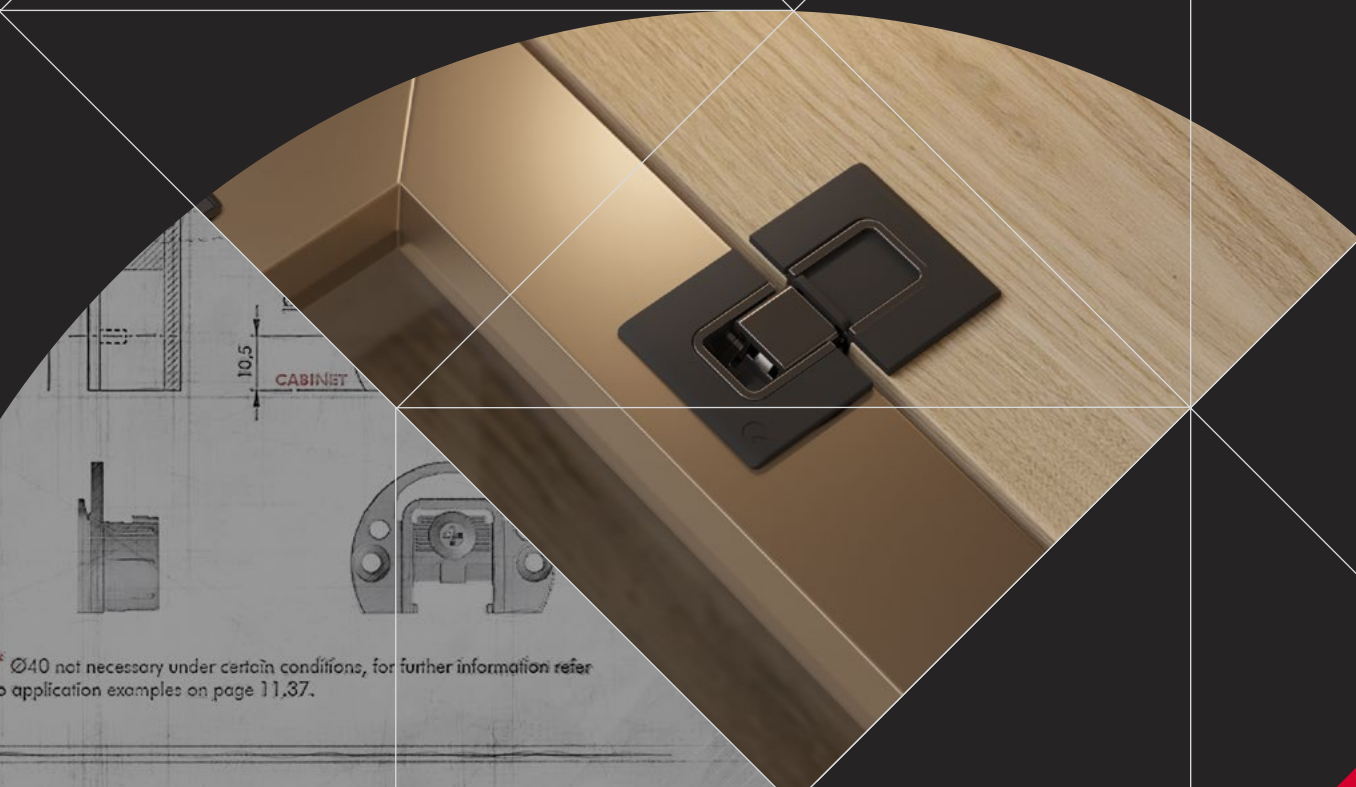
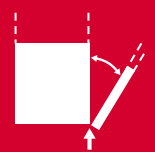
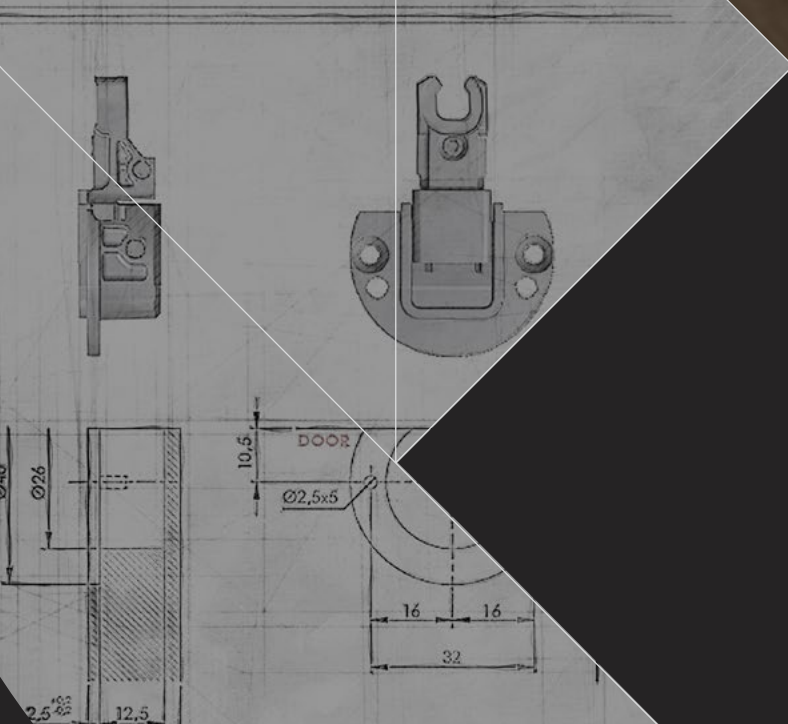


# KIMANA SKIN



Ø40 not necessary under certain conditions, for further information refer to application examples on page 11,37.



**HINGES**



# SYMBOLS AND FINISHES LEGEND

## SYMBOLS



= SHELF SAFELY LOCKED DURING TRANSPORTATION AND AT HOME.



= ANTI-TURNOVER LOCKING SYSTEM



= NORMS / PATENTS



= PHILLIPS / POZIDRIV



= WITH BUFFER



= PART NO.



= BLADE SLOT



= WITH MAGNET



= PCS. PER PACKAGE



= COMBI SLOT



= HEXAGONAL SOCKET



= NEWTON



= CAPACITY LOADING



= HEXALOBULAR SOCKET



= FRICTION



= WOOD / GLASS THICKNESS



= COUNTERSUNK HEAD



= AUTOMATIC



= HOLE DIAMETER



= PAN HEAD



= DROP DOWN



= DIAMETER



= FLANGE HEAD



= LENGTH



= FLAT HEAD



= STANDARD HINGE



= HEIGHT



= TRILOBULAR SCREW



= KIMANA HINGE



= RIGHT VERSION



= SELF-TAPPING SCREW



= FLAP HINGE



= LEFT VERSION



= EURO THREAD



= WITH SPRING



= SETTING CODE



= METRIC THREAD



= WITHOUT SPRING



= PCS. PER PAD



= PRE-INSERTED SCREW



= REVERSED SPRING



= CUT ON REQUEST



= PRE-INSERTED SCREW AND SPREADING BUSH



= SELF ADHESIVE



= WITH FLANGE

NOTE: Printing errors and omissions may exist despite our best efforts to ensure accuracy. We reserve the right to alter specifications without notice.

## MATERIALS

**ZA** = Zinc Alloy

**ST** = Steel

**HSS** = High Speed Steel

**BR** = Brass

**ABS** = Acrylonitrile Butadiene Styrene

**ZAnk** = Nickel-plated Zinc Alloy

**STzk** = Zinc-plated Steel

**AL** = Aluminium

**WD** = Wood

**EVA** = Ethylene Vinyl Acetate

**EP** = **ENGINEERING PLASTIC**

+ **EP** = other engineering plastic available on request

**SR** = **SOFT RUBBER**

+ **SR** = other soft rubber available on request

**EPn** = Natural Engineering Plastic

**EPc** = Clear Engineering Plastic

**SRn** = Natural Soft Rubber

**EPw** = White Engineering Plastic

**EPg** = Grey Engineering Plastic

**SRw** = White Soft Rubber

**EPb** = Black Engineering Plastic

**EPa** = Anthracite Engineering Plastic

**SRb** = Black Soft Rubber



## FINISHES

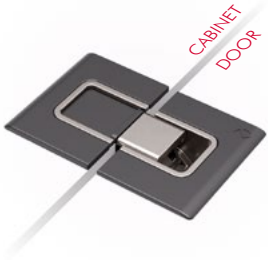


+ **OTHER FINISHES AVAILABLE ON REQUEST**

PART NO.	FINISHES	PART NO.	FINISHES	PART NO.	FINISHES
00	Insignificant finish	IF	Grey 7	XE	Inox
AA	Natural	IJ	Light Grey	YA	Nickel-plated
AB	White	IL	Grey 20	YC	Matt Nickel-plated
AE	White 9010	IN	Grey met. 26	YD	Satin-finished Nickel-plated
EA	Black	JG	Aluminium 5	YQ	Black Nickel
EC	Matt Black	JL	Aluminium PE 11	Z9	Black Zinc
EE	Anthracite	JM	Aluminium RAL 9006	ZN	Zinc-plated
EW	Grey 9007	KB	Bright Chrome	ZQ	Bright Gold
FU	Gunmetal	KC	Matt Chrome	ZZ	Clear/Transparent
FV	Gunmetal V52	LD	Brown 8019		
GR	Zamak Raw	RO	Red		
HA	Brass-Plated	UT	T-Met 9007		
HH	Tropicalized	UZ	T-Met		
HL	Raw Brass	WA	Bronzed		
HX	Graphite	WI	Burnished		
IA	Grey	XD	Satin-finished Steel		

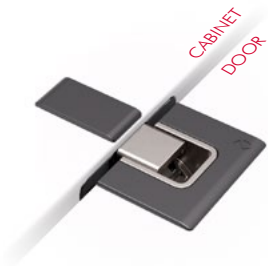
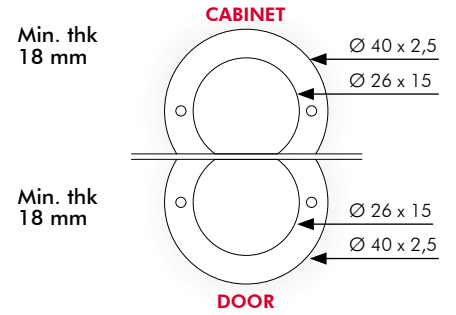


## Table of contents



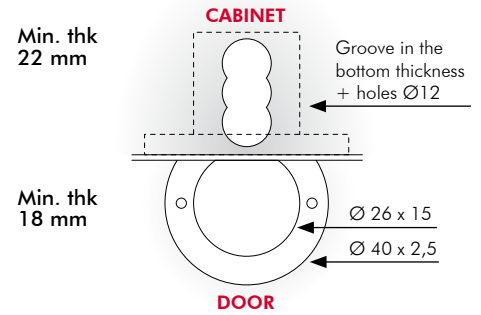
### KIMANA SKIN

KIMANA SKIN version with hidden fixing screws. Using the appropriate adapters is possible to manage different overlay dimensions.



### KIMANA SKIN FLAT

KIMANA SKIN version with the hinge part concealed in the bottom panel.





## KIMANA SKIN

Kimana Skin is our new and most exclusive hinge for doors opening downwards and upwards.

Kimana Skin is defined by very elegant shapes which give an added value to the furniture in terms of aesthetics and functionality.

Kimana flushes with the panel and becomes a whole with both the cabinet and the door.

The unique and patented design improves not only the aesthetics but also the installation onto the panel as the screws are vertically placed.

Kimana comes with 3 independent adjustments which smoothly provide for the door alignment in depth, horizontally and vertically.

All the screws are concealed by neat cover caps which come in different colours to match the panel finish.

A major benefit is given by the exclusive kinematics of the mechanism which guarantees the opening of the door on platforms, doors and frames.

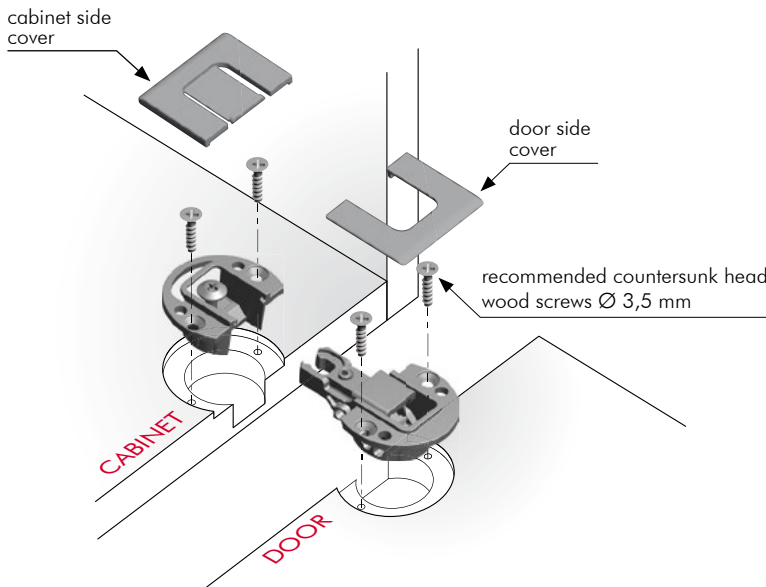
Kimana is completed by a wide range of adapters to compensate different panel thicknesses and is guaranteed for at least 40.000 cycles of openings and closings.

Well proportioned in any modern or contemporary setting, Kimana Skin is a functional detail for doors opening upwards

Kimana Skin is available in several finishes: Nickel, Black Nickel, Anthracite and Grey.

Other colours are available upon request.

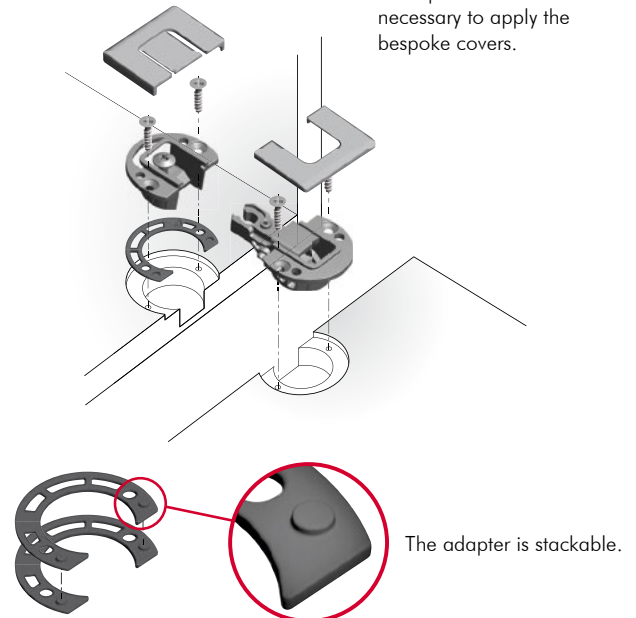
### STANDARD INSTALLATION (Application shown for minimum thickness 18 mm)



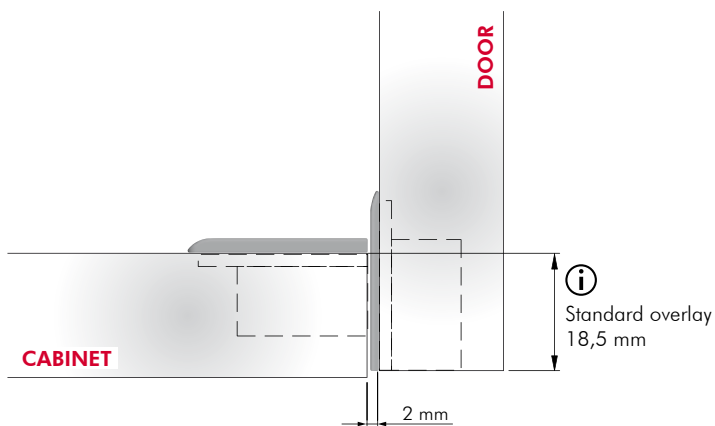
### INSTALLATION WITH ADAPTERS

### VERY IMPORTANT

If adapters are used it is necessary to apply the bespoke covers.

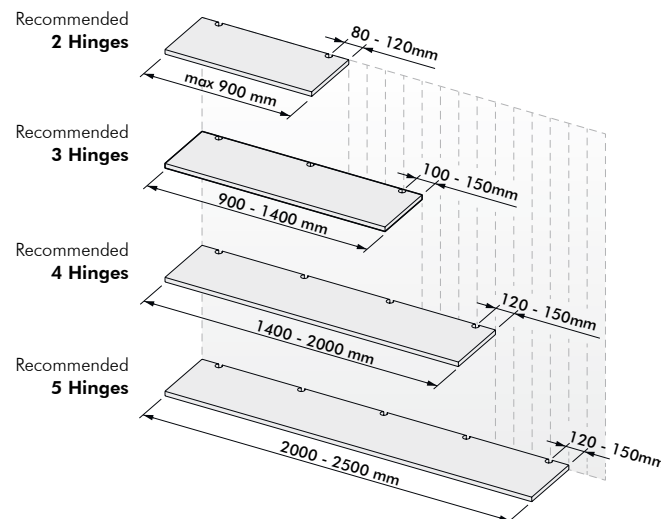


### OVERLAY WITH STANDARD DRILLING PLAN

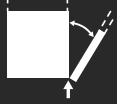


**i** The overlay value can be reduced by adding bespoke adapters on the cabinet side.

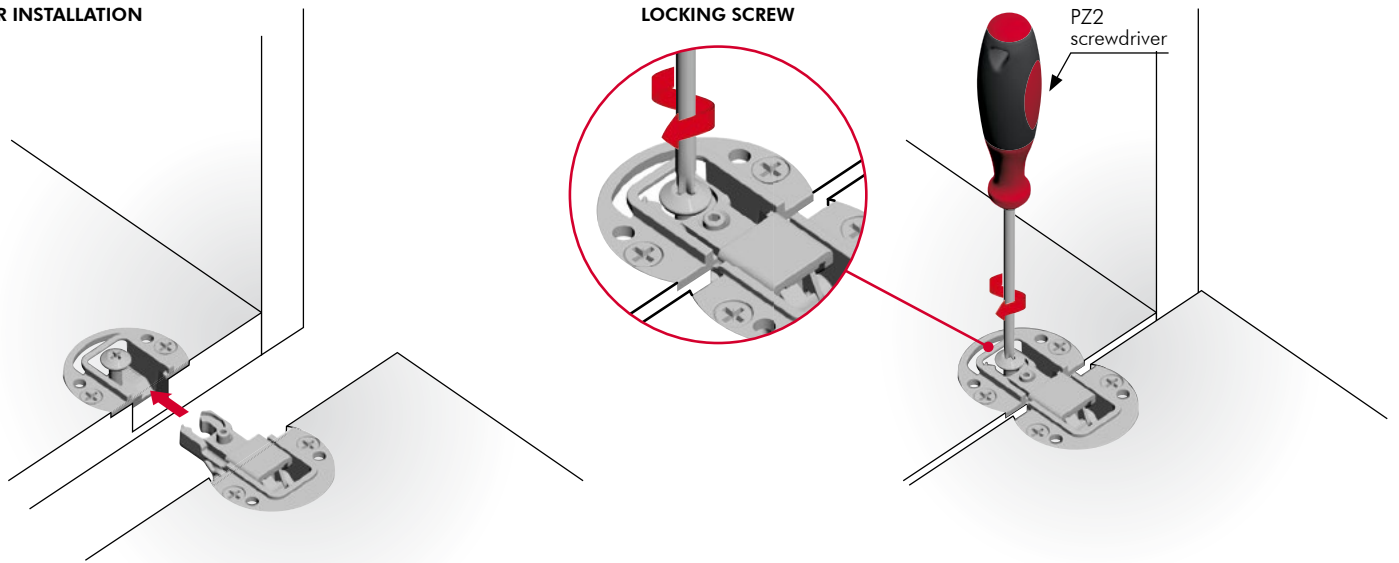
### RECOMMENDED NUMBER OF HINGES PER DOOR



Due to various factors, the quantities stated in the chart are indicative.



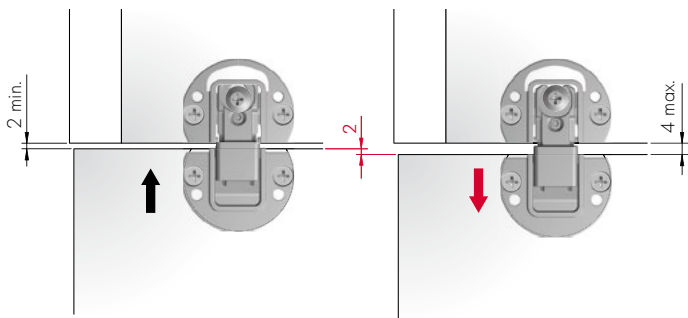
DOOR INSTALLATION



ADJUSTMENTS AND ASSEMBLING

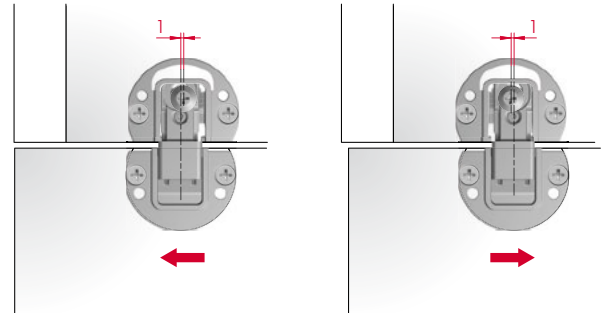
IN-DEPTH ADJUSTMENT +2 mm

⚠ TO BE MADE BEFORE LOCKING SCREW OPERATION ⚠

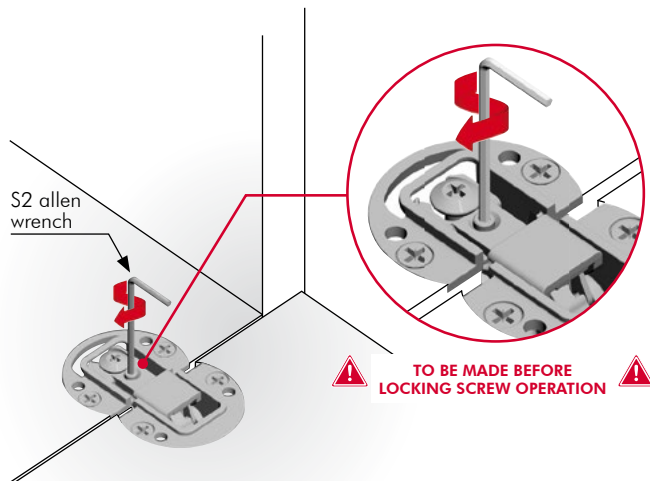


LATERAL ADJUSTMENT ±1 mm

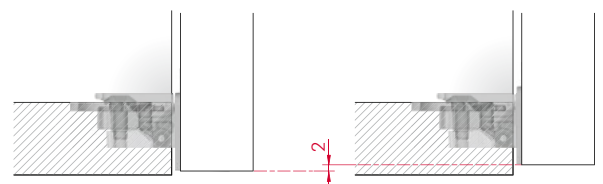
⚠ TO BE MADE BEFORE LOCKING SCREW OPERATION ⚠



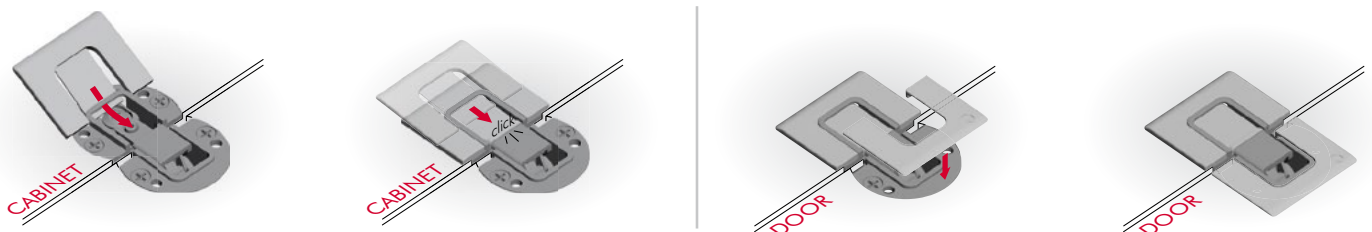
OVERLAP ADJUSTMENT

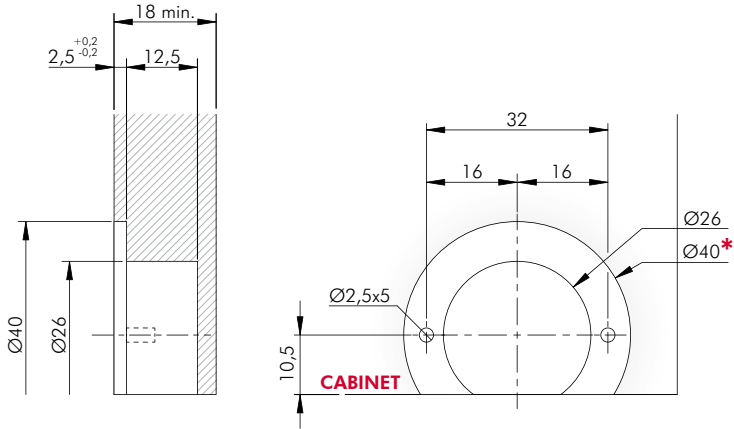
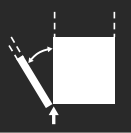


+2 mm vertical adjustment

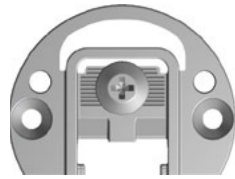


COVERS ASSEMBLING

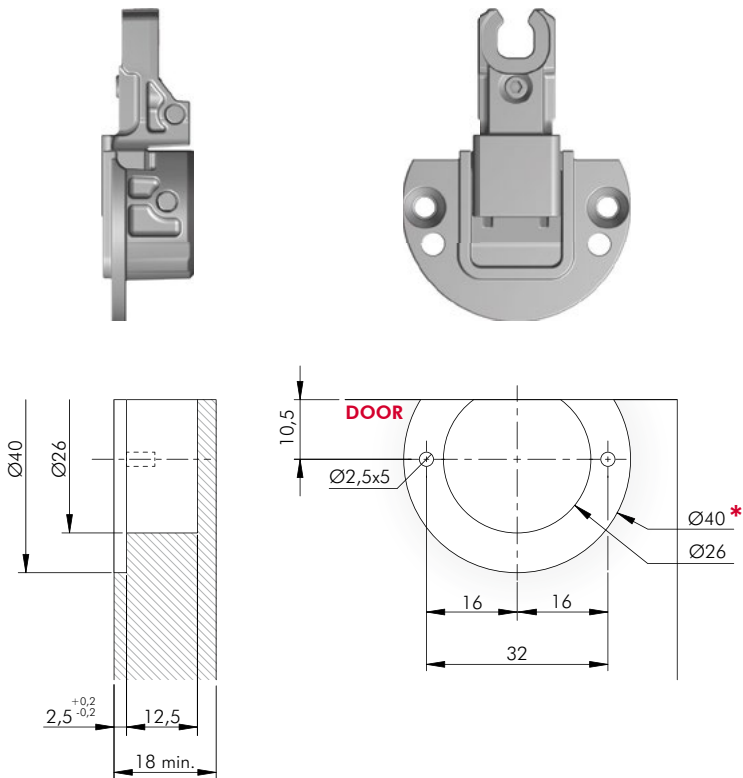




ZA	ST	= 200 pcs.
<b>40130000YA</b>		
<b>40130000YQ</b>		



\* Ø40 not necessary under certain conditions, for further information refer to application examples on page 11.37.



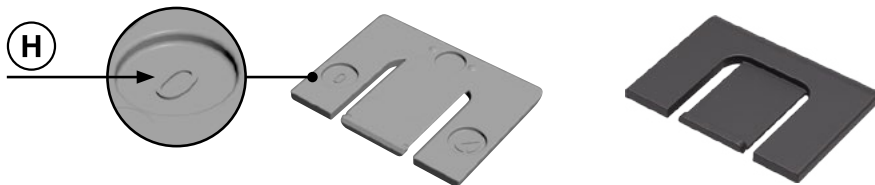
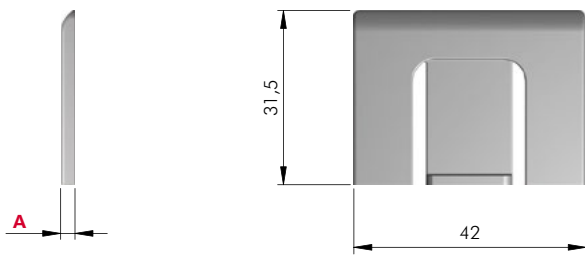
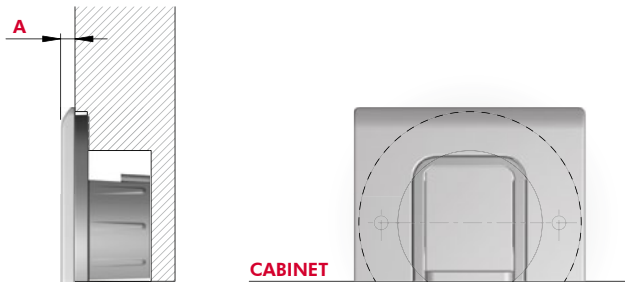
ZA	ST	= 200 pcs.
<b>40130010YA</b>		
<b>40130010YQ</b>		



\* Ø40 not necessary under certain conditions, for further information refer to application examples on page 11.37.



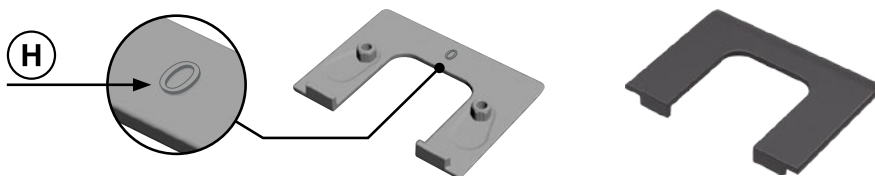
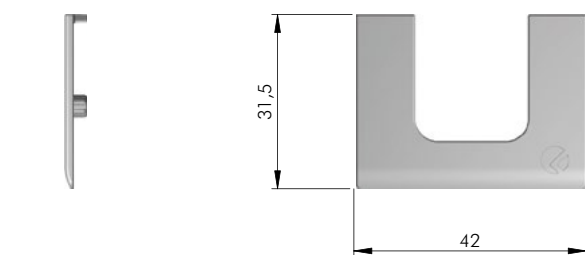
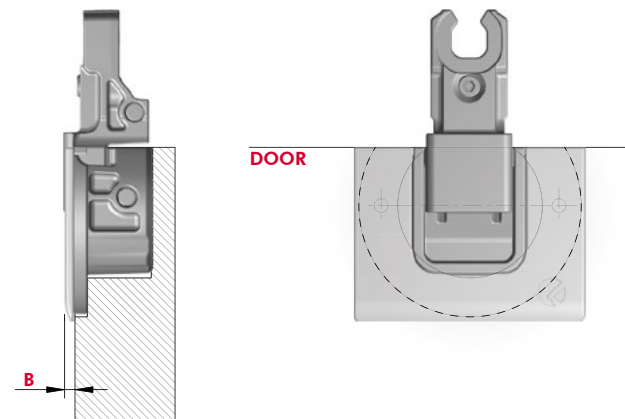
### CABINET SIDE COVER



EP		= 200 pcs.		
			<b>H</b>	<b>A</b>
40130400EE	EW	0	2,5	
40130420EE	EW	1	3,5	
40130440EE	EW	2	4,5	
40130460EE	EW	4	6,5	
40130480EE	EW	6	8,5	

ZA		= 200 pcs.		
			<b>H</b>	<b>A</b>
40150400YA	YQ	0	2,5	

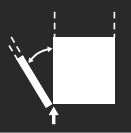
### DOOR SIDE COVER



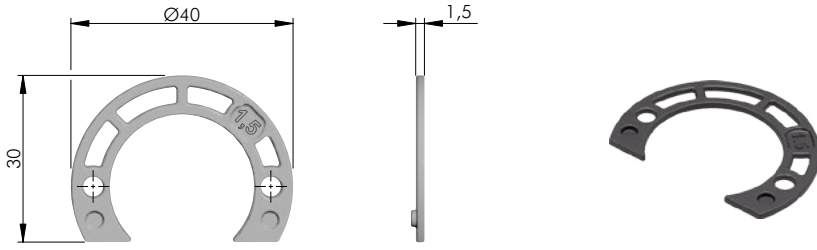
EP		= 200 pcs.		
			<b>H</b>	<b>B</b>
40130200EE	EW	0	1,5	
40130240EE	EW	2	4	

ZA		= 200 pcs.		
			<b>H</b>	<b>B</b>
40150200YA	YQ	0	1,5	





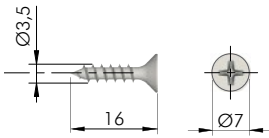
**KIMANA SKIN ADAPTER**








EP  = 200 pcs.


  **40130620EE**



**FIXING ACCESSORIES**

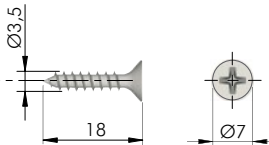




 = Ø 2,5 mm 




   = PZ2


ST  = 1000 pcs.



  **60101390ZN**

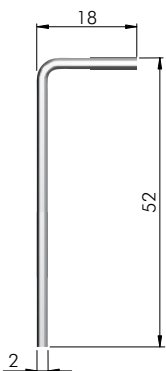



 = Ø 2,5 mm 


   = PZ2



ST  = 8.000 pcs.

  **60101400ZN**



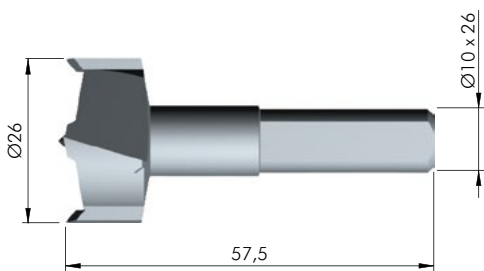
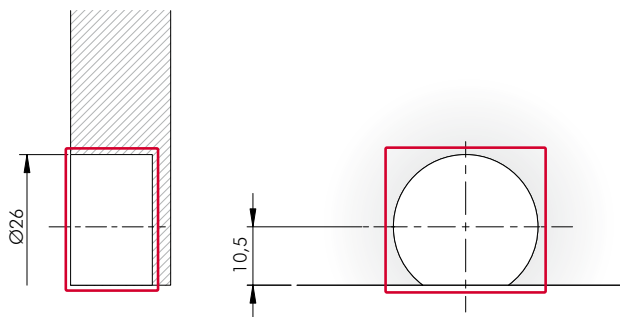
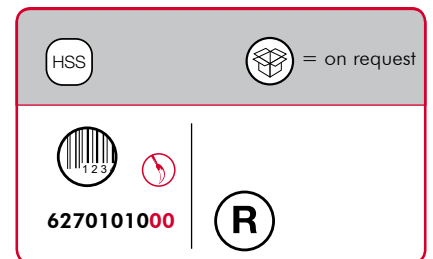
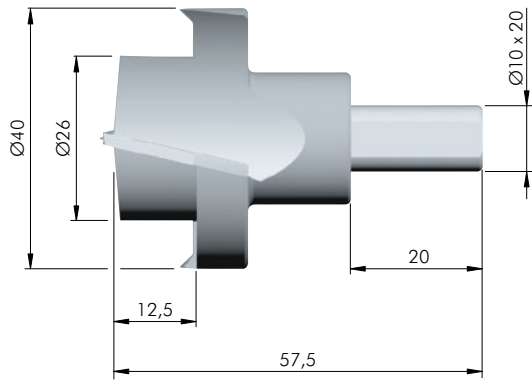
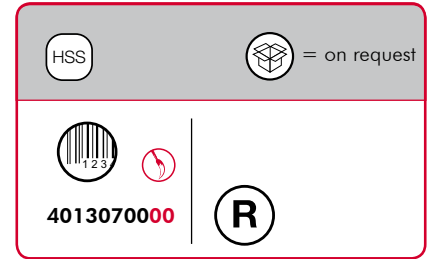
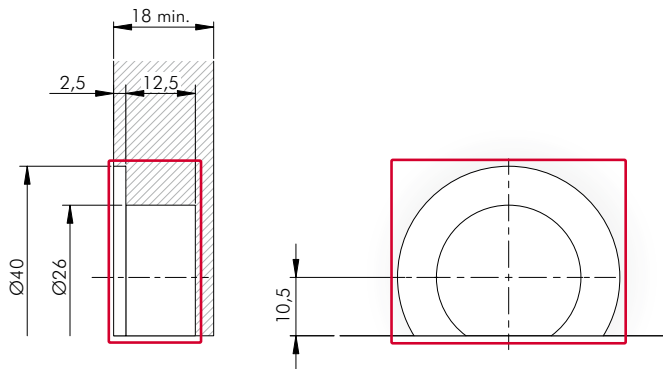
 = S2

ST  = 500 pcs.

  **62501090ZN**

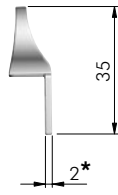
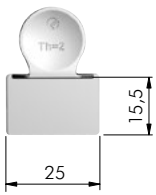
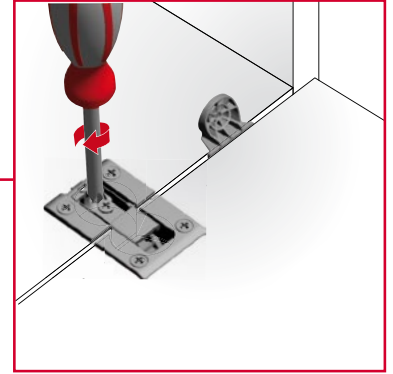
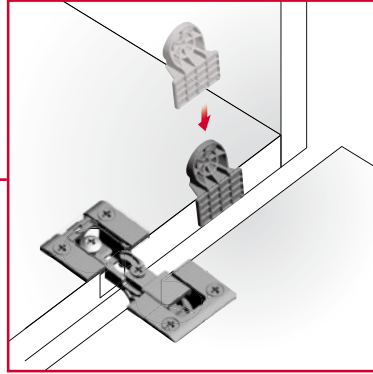
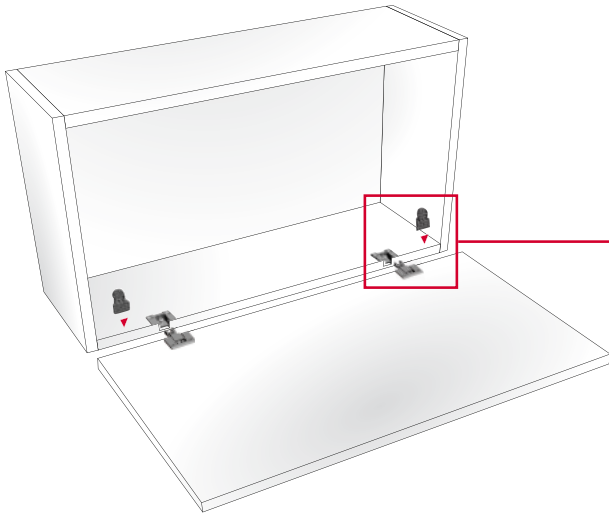


### DRILL BIT FOR KIMANA SKIN





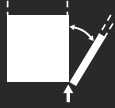
**DOOR ALIGNMENT SPACER FOR KIMANA HINGES**



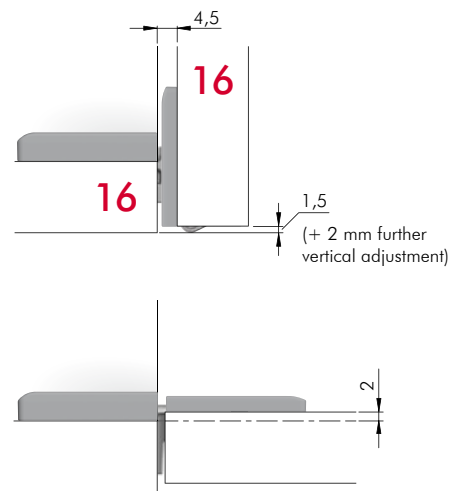
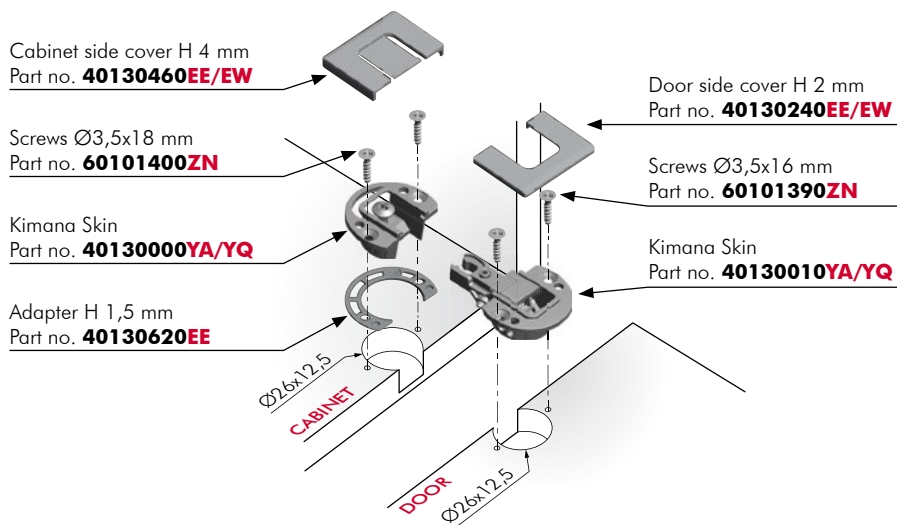
EP	= on request
<b>401 156351A</b>	

2 pcs featured in each polybag.

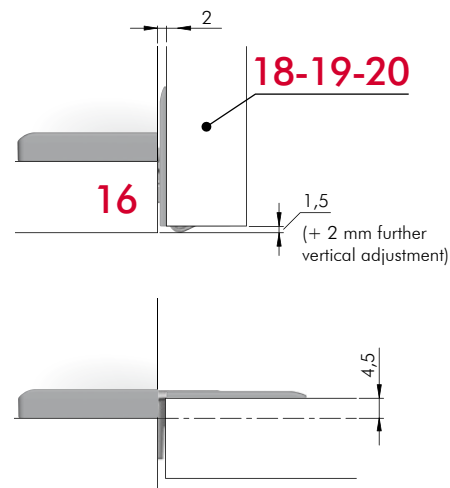
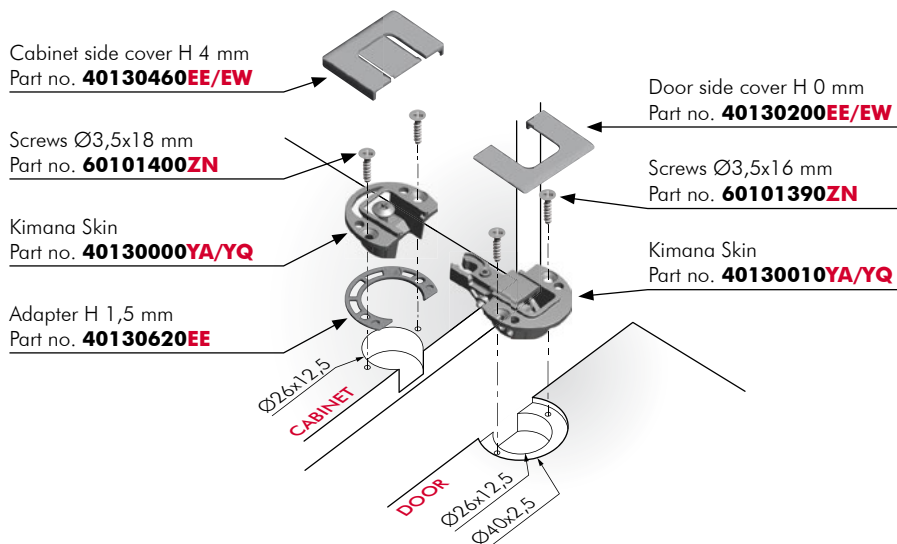
\* For non-standard drilling plans 1,5, 2,5, 3 and 4 mm spacers are also available.



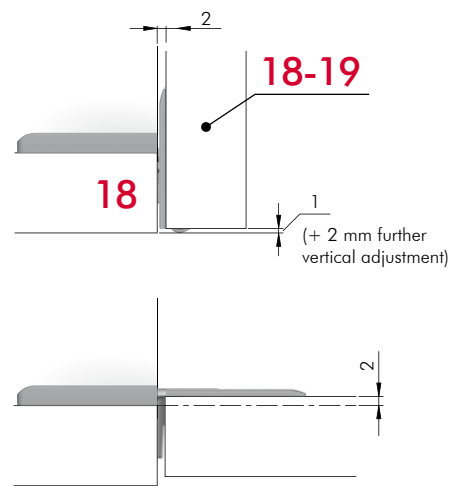
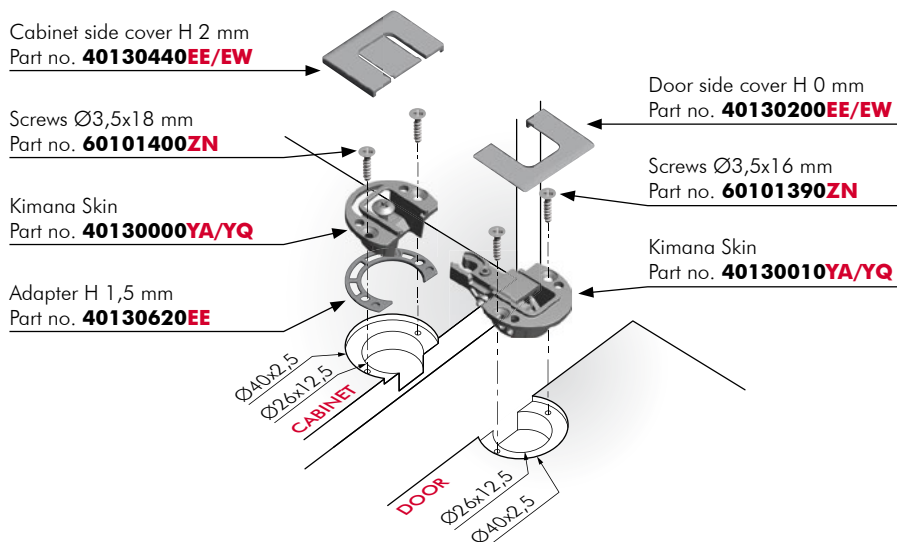
CABINET 16 mm THICK - DOOR 16 mm THICK



CABINET 16 mm THICK - DOOR 18-19-20 mm THICK

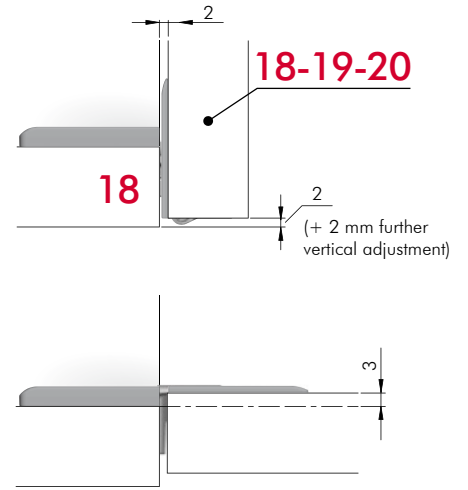
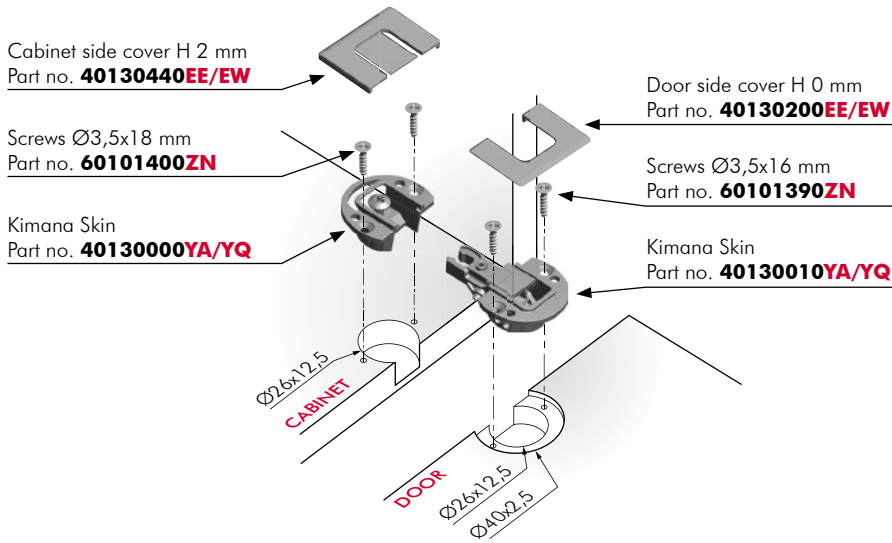


CABINET 18 mm THICK - DOOR 18-19 mm THICK

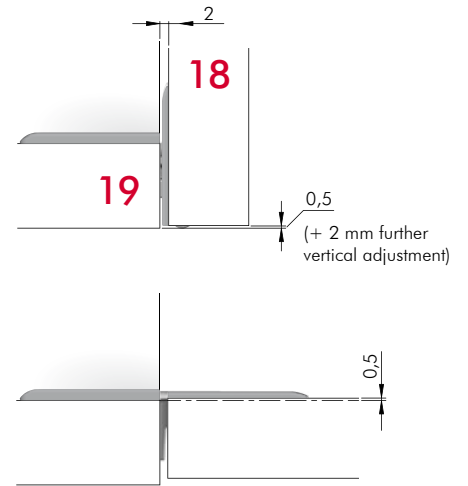
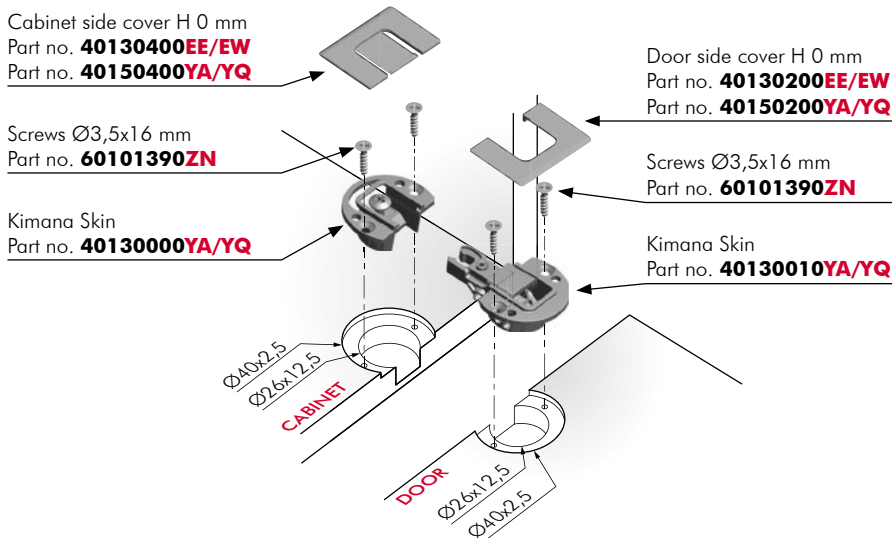




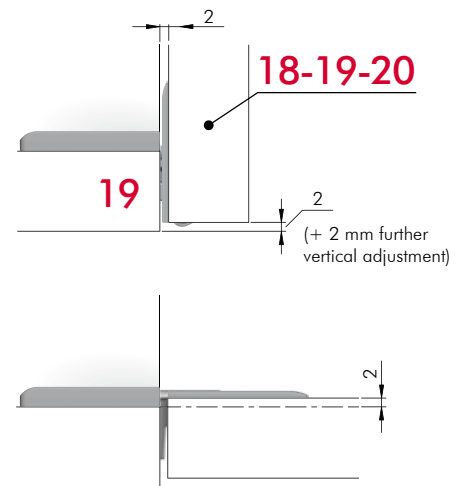
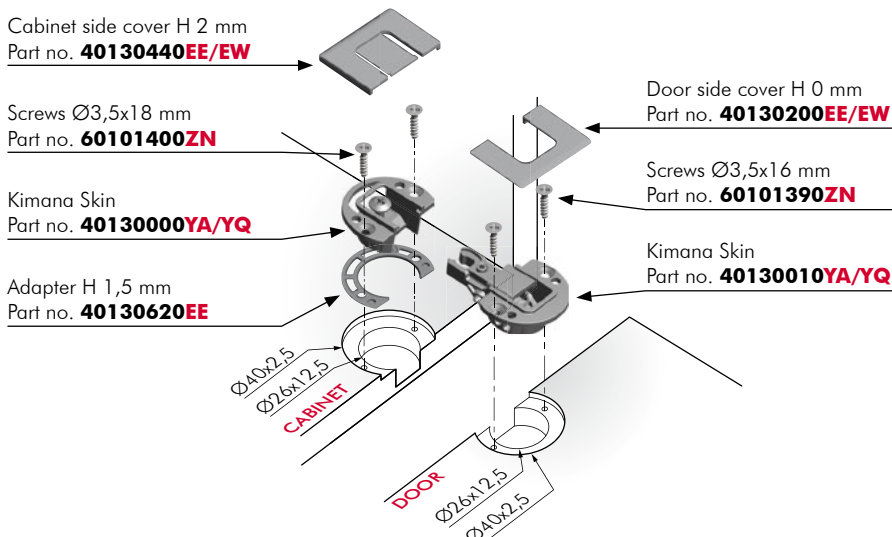
**CABINET 18 mm THICK - DOOR 18-19-20 mm THICK**

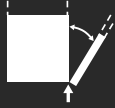


**CABINET 19 mm THICK - DOOR 18 mm THICK**



**CABINET 19 mm THICK - DOOR 18-19-20 mm THICK**





**CABINET 20 mm THICK - DOOR 18-19-20 mm THICK**

Cabinet side cover H 0 mm  
Part no. **40130400EE/EW**  
Part no. **40150400YA/YQ**

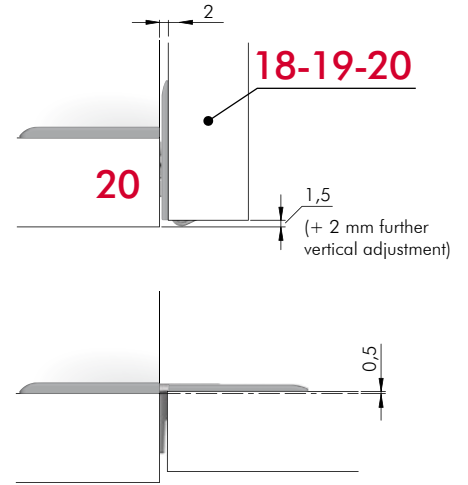
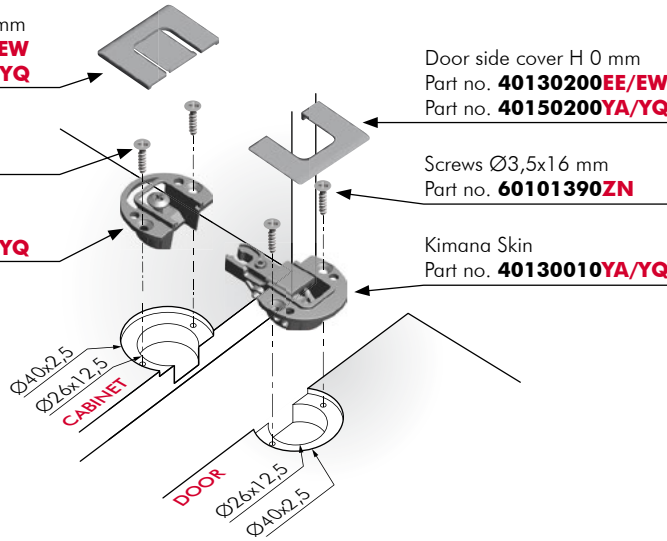
Screws  $\varnothing 3,5 \times 18$  mm  
Part no. **60101400ZN**

Kimana Skin  
Part no. **40130000YA/YQ**

Door side cover H 0 mm  
Part no. **40130200EE/EW**  
Part no. **40150200YA/YQ**

Screws  $\varnothing 3,5 \times 16$  mm  
Part no. **60101390ZN**

Kimana Skin  
Part no. **40130010YA/YQ**

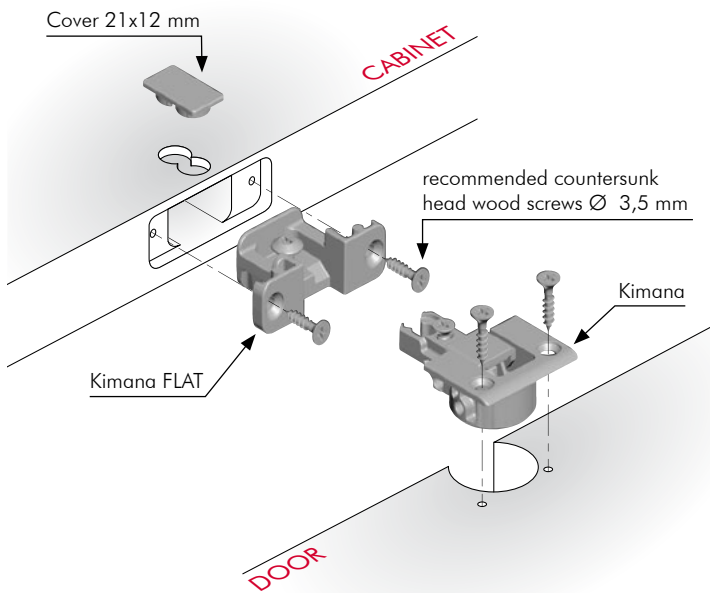




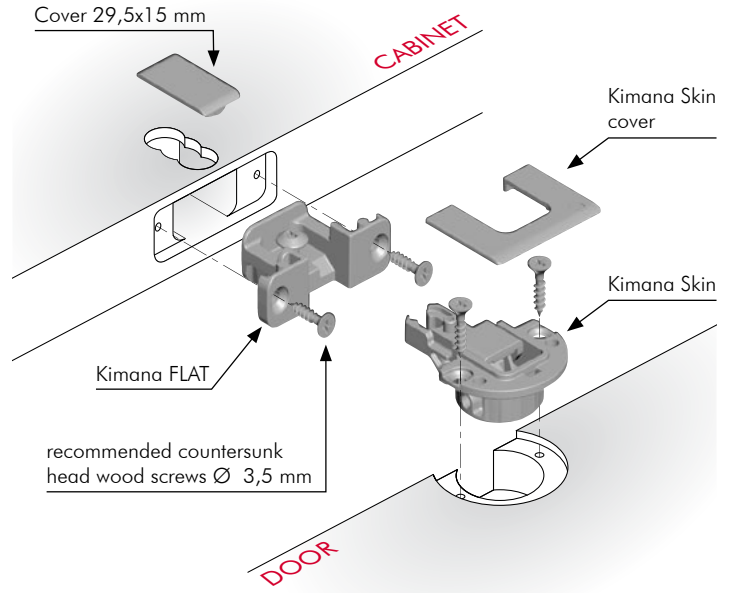
**KIMANA FLAT & KIMANA SKIN FLAT**



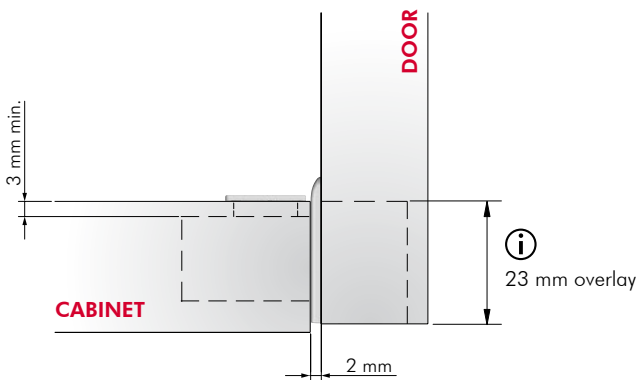
**KIMANA FLAT INSTALLATION**



**KIMANA FLAT INSTALLATION**

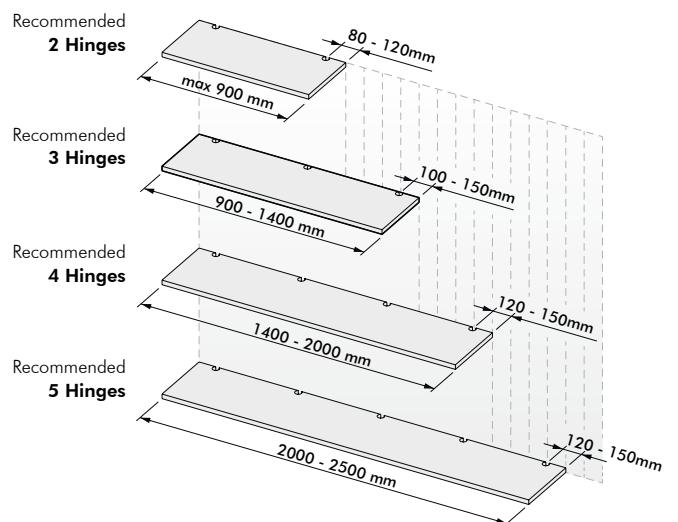


**OVERLAY WITH STANDARD DRILLING PLAN**



**(i)** The overlay value can be reduced by adding bespoke adapters on the cabinet side.

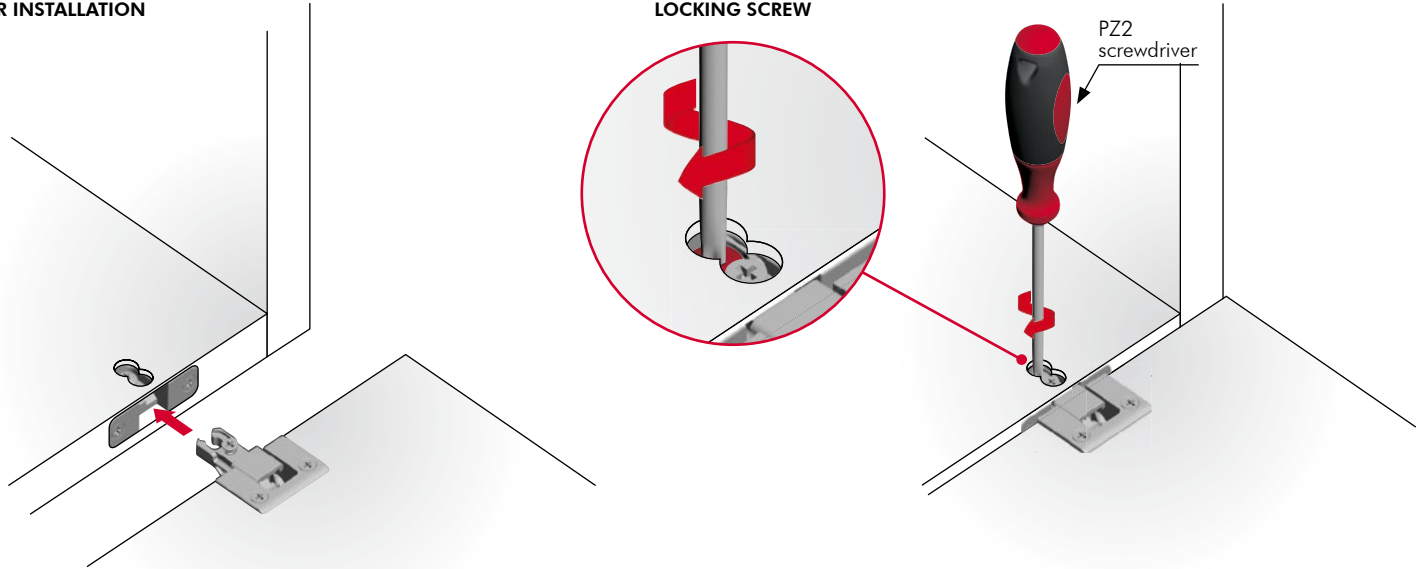
**RECOMMENDED NUMBER OF HINGES PER DOOR**



Due to various factors, the quantities stated in the chart are indicative.



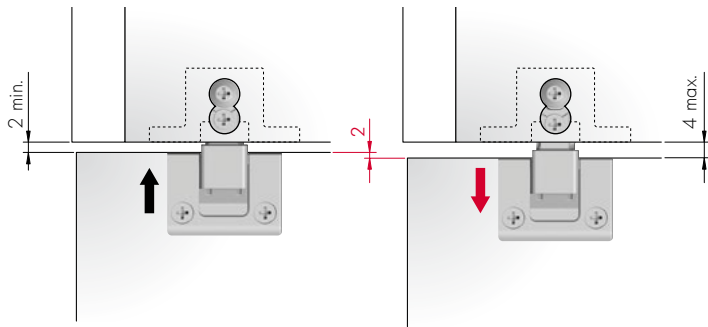
DOOR INSTALLATION



ADJUSTMENTS AND ASSEMBLING

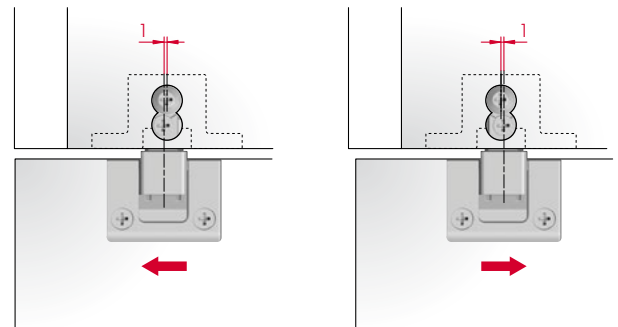
IN-DEPTH ADJUSTMENT +2 mm

⚠ TO BE MADE BEFORE LOCKING SCREW OPERATION ⚠

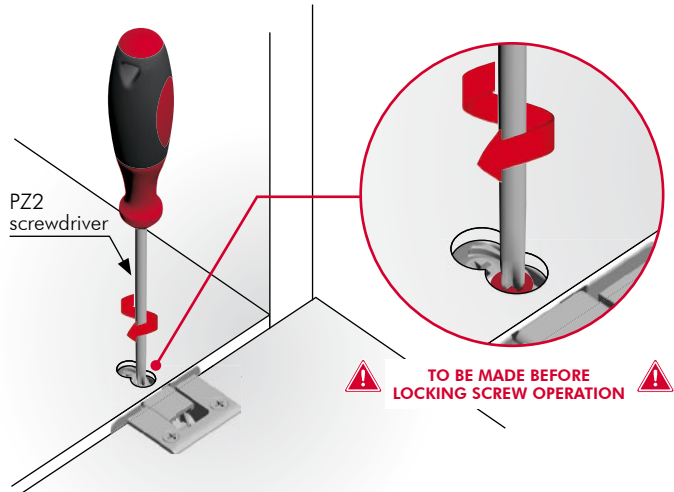


LATERAL ADJUSTMENT ±1 mm

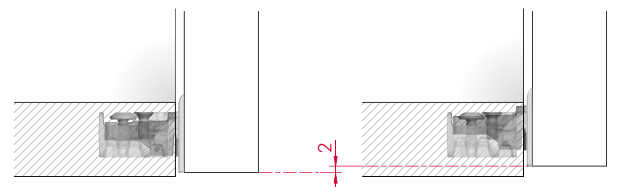
⚠ TO BE MADE BEFORE LOCKING SCREW OPERATION ⚠



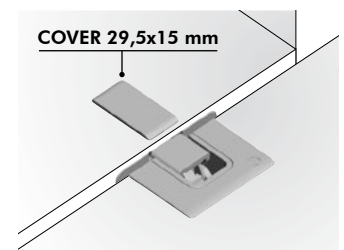
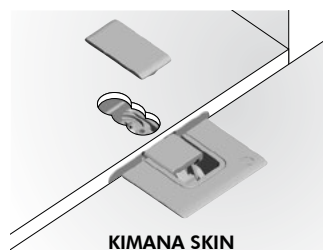
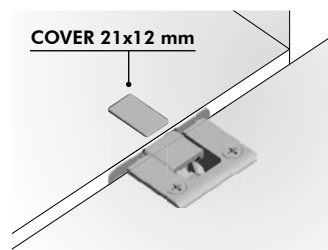
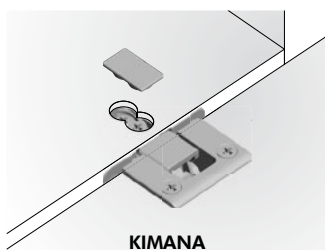
OVERLAP ADJUSTMENT



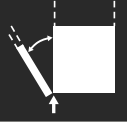
+2 mm vertical adjustment



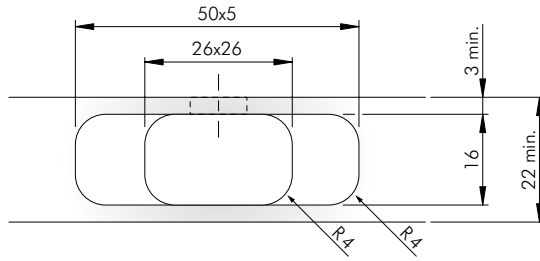
COVERS OPTIONS



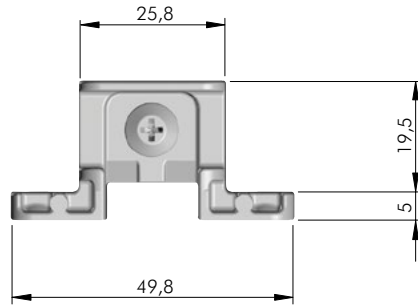
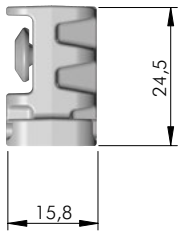
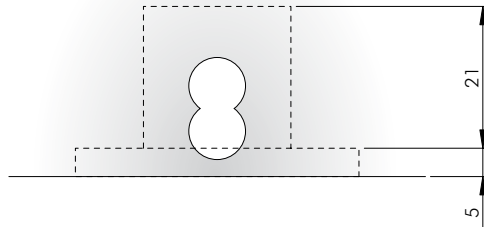
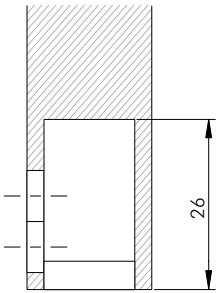







**KIMANA FLAT WITH COVER 21x12 mm**



**CABINET**



ZA ST  = 150 pcs.

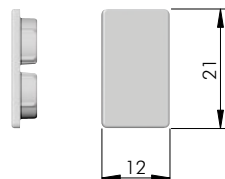
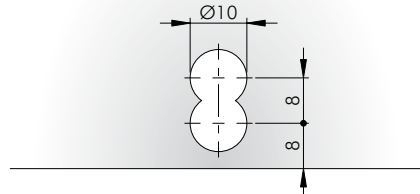
 123 

**40120140YA**

**40120140YQ**



**CABINET**



EP  = on request

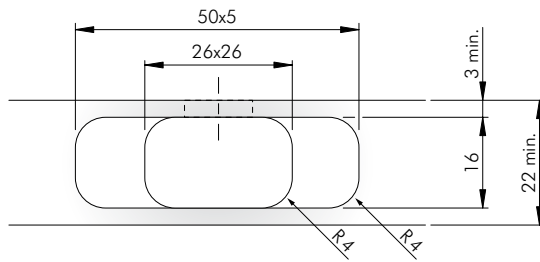
 123 

**40120160EE**

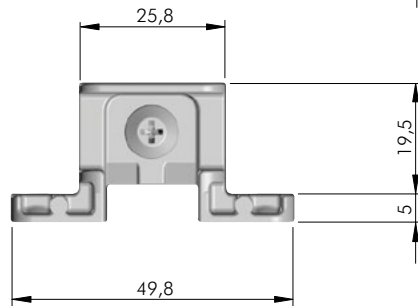
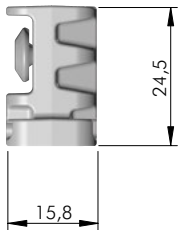
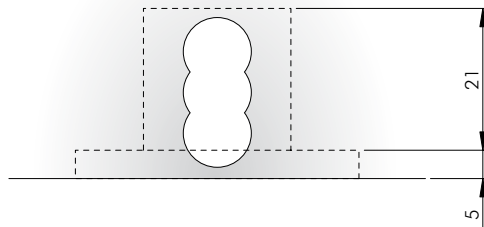
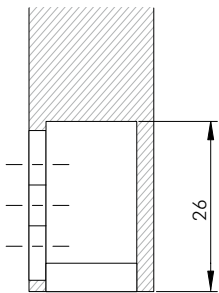




**KIMANA FLAT WITH COVER 29,5x15 mm**



**CABINET**



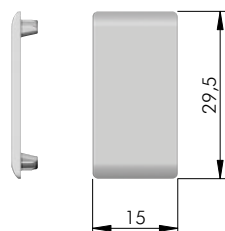
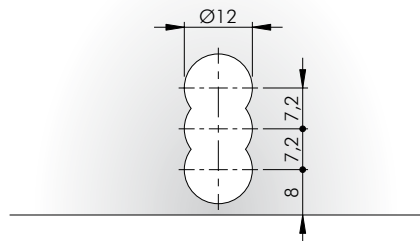
ZA ST = 150 pcs.

**40120140YA**

**40120140YQ**



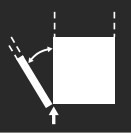
**CABINET**



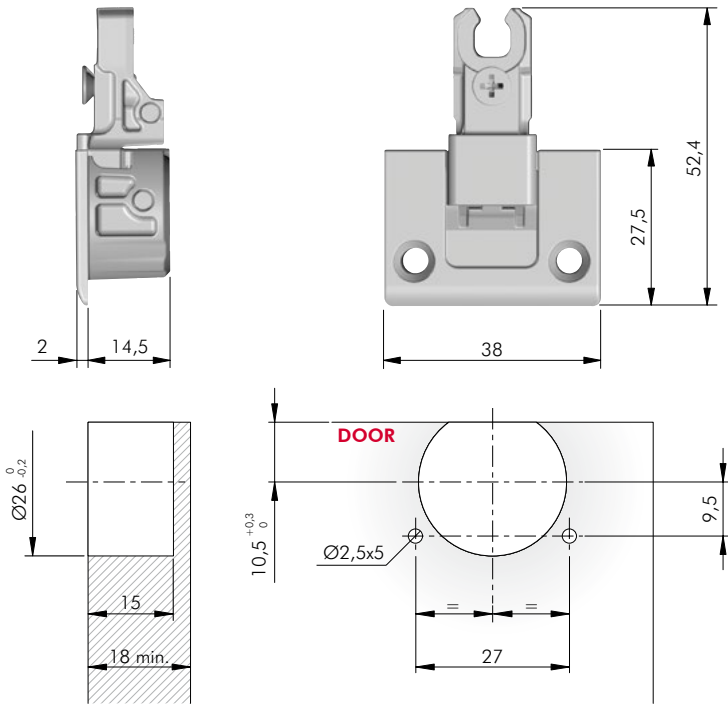
EP = on request

**65270200EE**





**KIMANA - DOOR**



= 150 pcs.

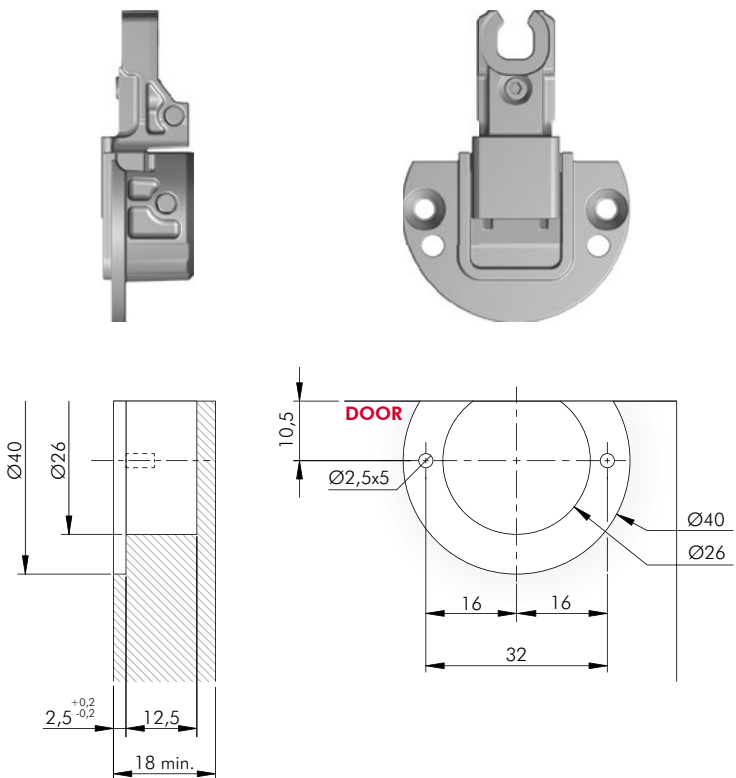
---

**40120010YA**

**40120010YQ**



**KIMANA SKIN - DOOR**



= 200 pcs.

---

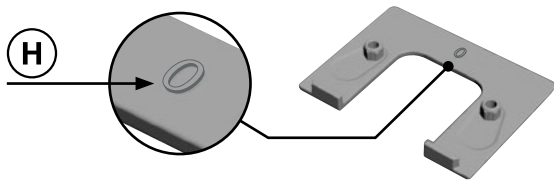
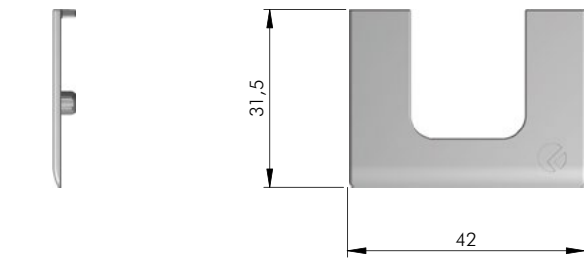
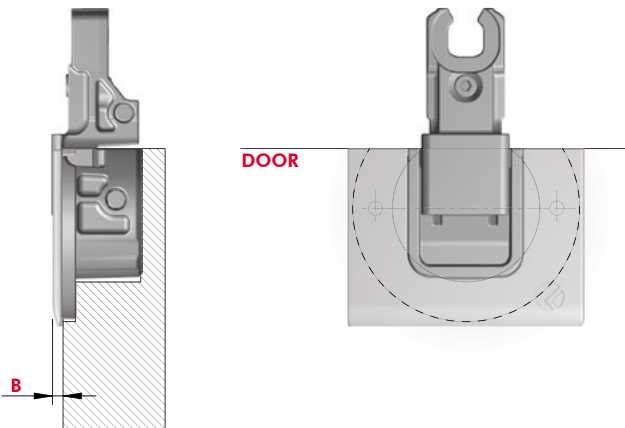
**40130010YA**

**40130010YQ**





### COVER - DOOR

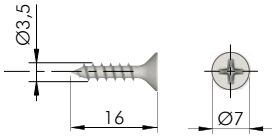


EP	= 200 pcs.		
40130200EE	AB	0	B
			1,5





**FIXING ACCESSORIES**

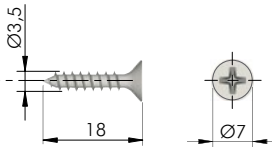


= Ø 2,5 mm +

= PZ2

= 1000 pcs.

**60101390ZN**



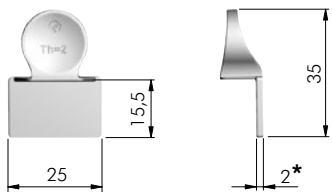
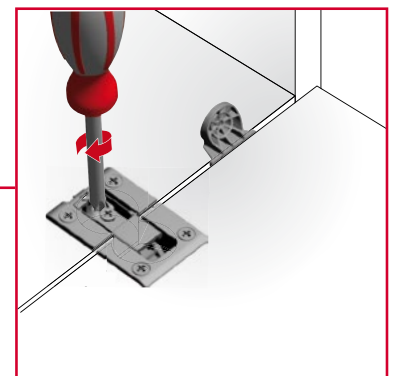
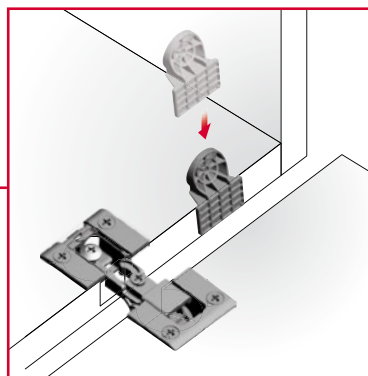
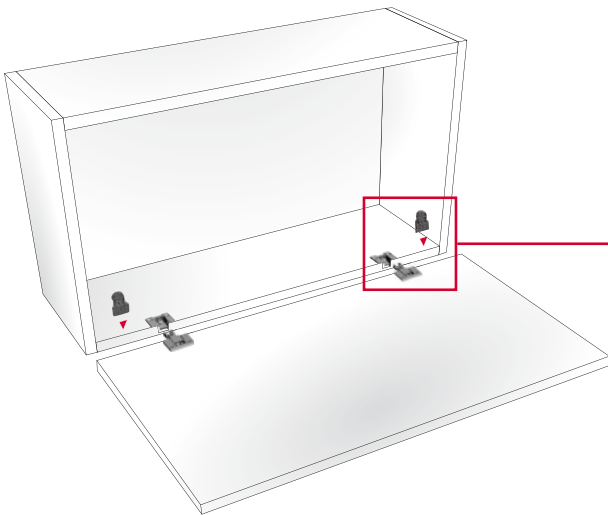
= Ø 2,5 mm +

= PZ2

= 8.000 pcs.

**60101400ZN**

**DOOR ALIGNMENT SPACER FOR KIMANA HINGES**

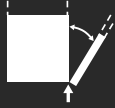


= on request

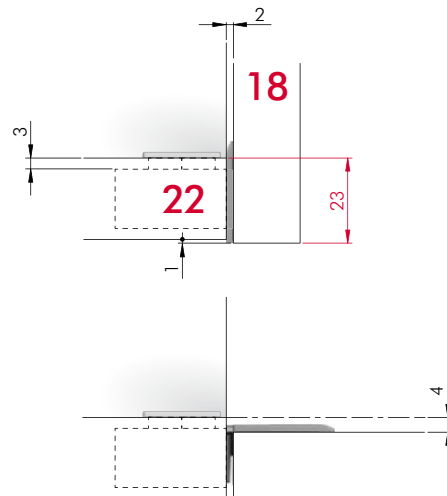
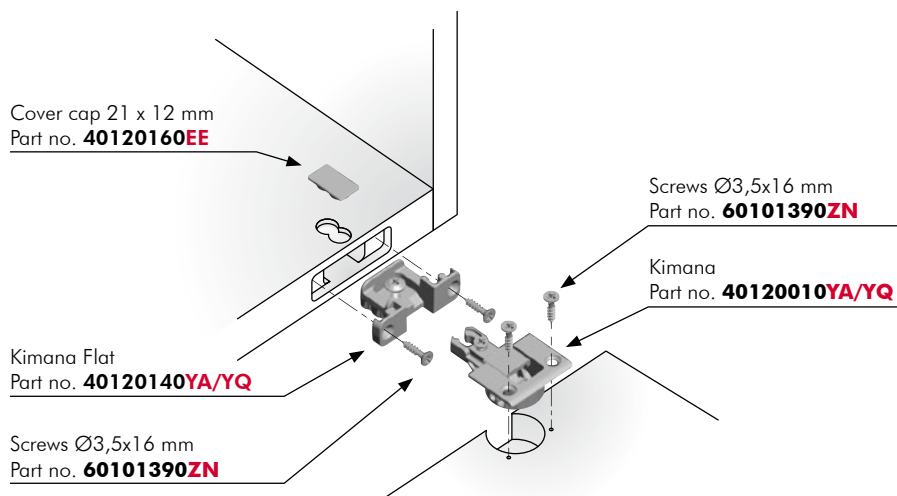
**40115635IA**

2 pcs featured in each polybag.

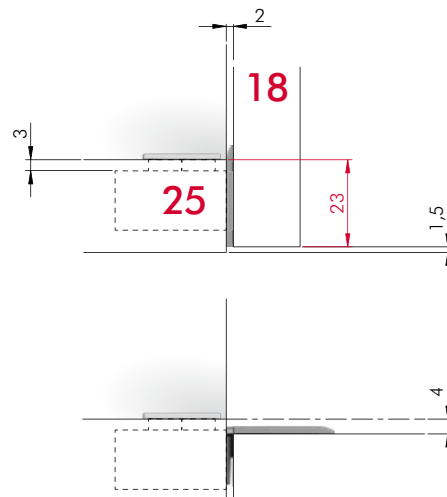
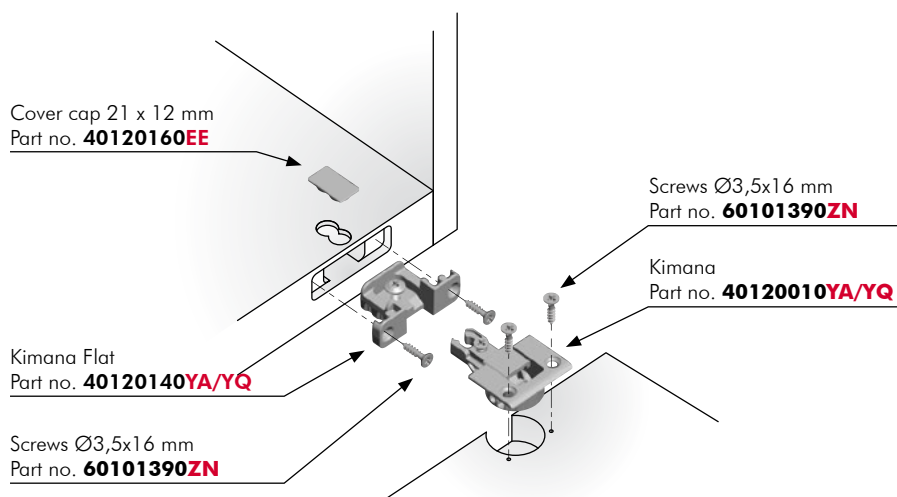
\* For non-standard drilling plans 1,5, 2,5, 3 and 4 mm spacers are also available.



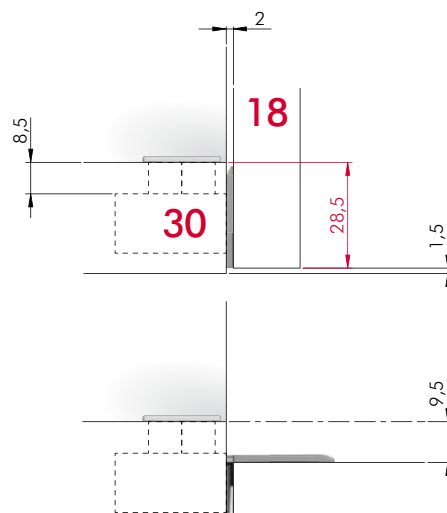
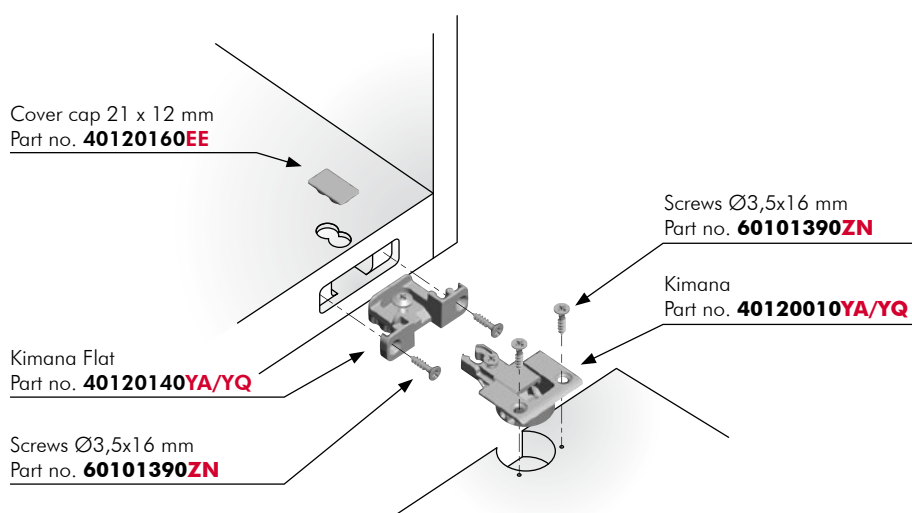
**CABINET 22 mm THICK - DOOR 18 mm THICK**



**CABINET 25 mm THICK - DOOR 18 mm THICK**

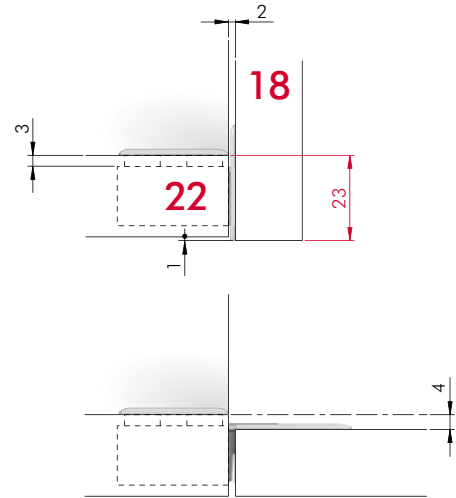
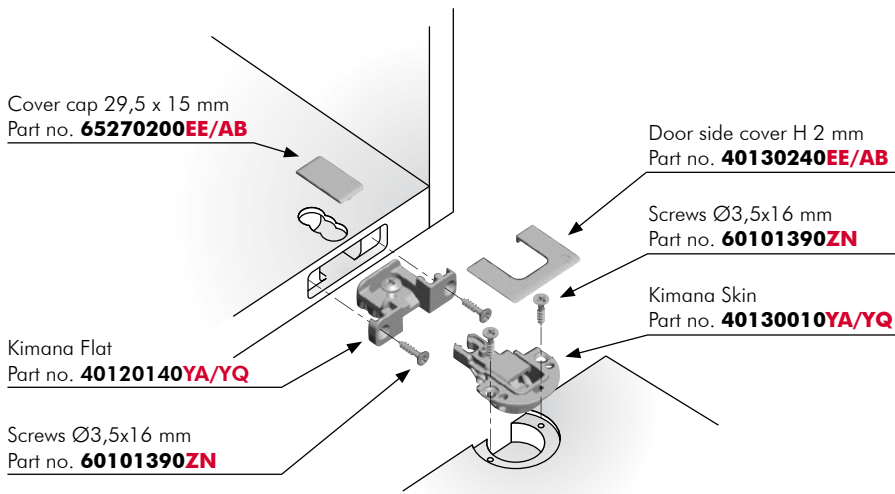


**CABINET 30 mm THICK - DOOR 18 mm THICK**

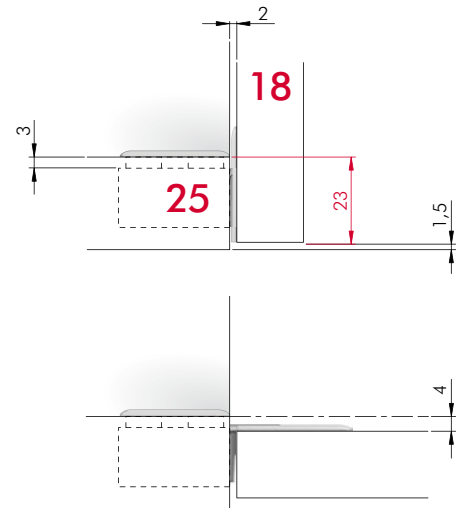
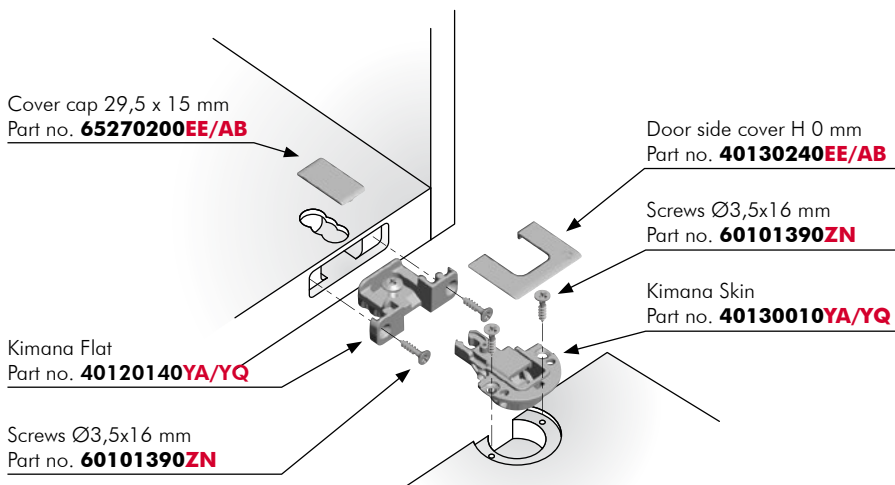




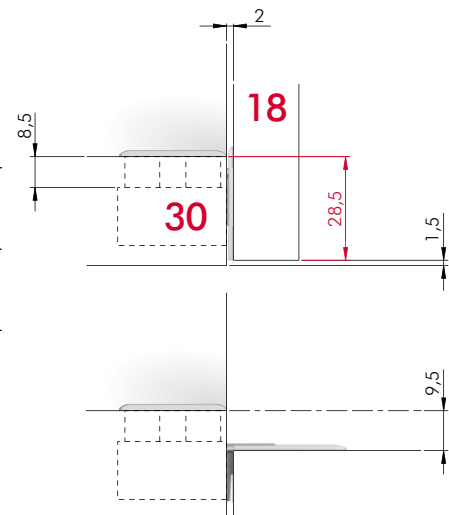
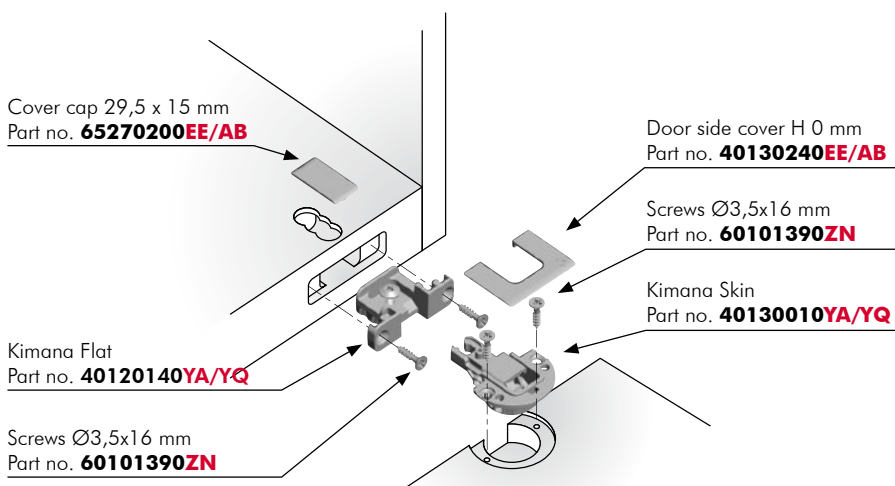
**CABINET 22 mm THICK - DOOR 18 mm THICK**

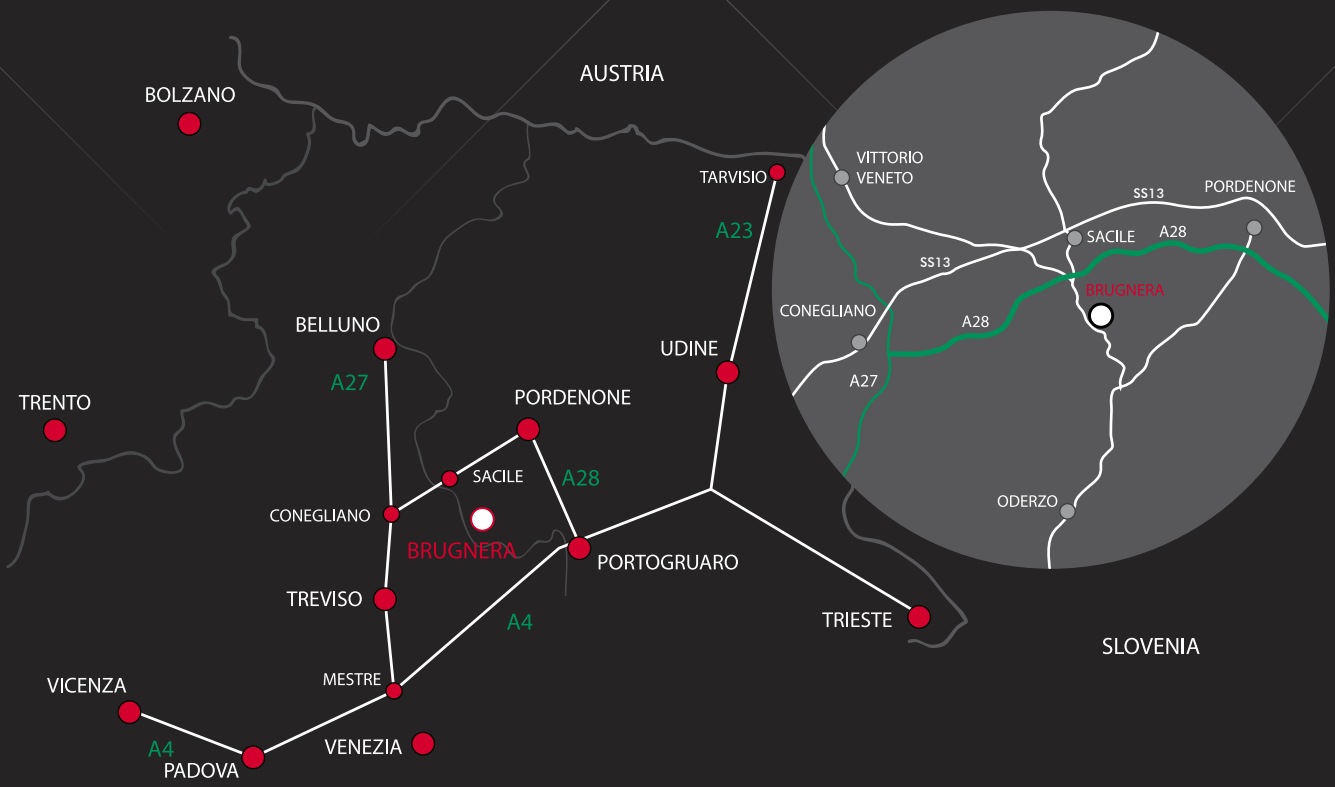


**CABINET 25 mm THICK - DOOR 18 mm THICK**



**CABINET 30 mm THICK - DOOR 18 mm THICK**





[www.italianaferramenta.com](http://www.italianaferramenta.com)

ITALIANA FERRAMENTA SRL - Viale Europa 17 I - 33070 Brugnera (PN)  
 Tel. +39 0434 428211 Fax +39 0434 428242 E-mail: [info@italianaferramenta.it](mailto:info@italianaferramenta.it)